

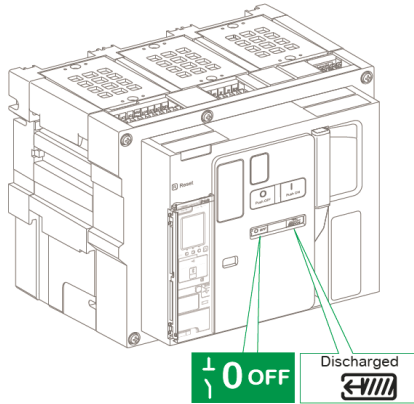
Product End of Life Instructions

MasterPacT MTZ2 25H1 3P Drawout with MicroLogic 5.0X Control Unit



⚠️ Potential Disassembly Risks

The Breaker must be in **OFF** Position and **DISCHARGED** state before starting Dismantling operations



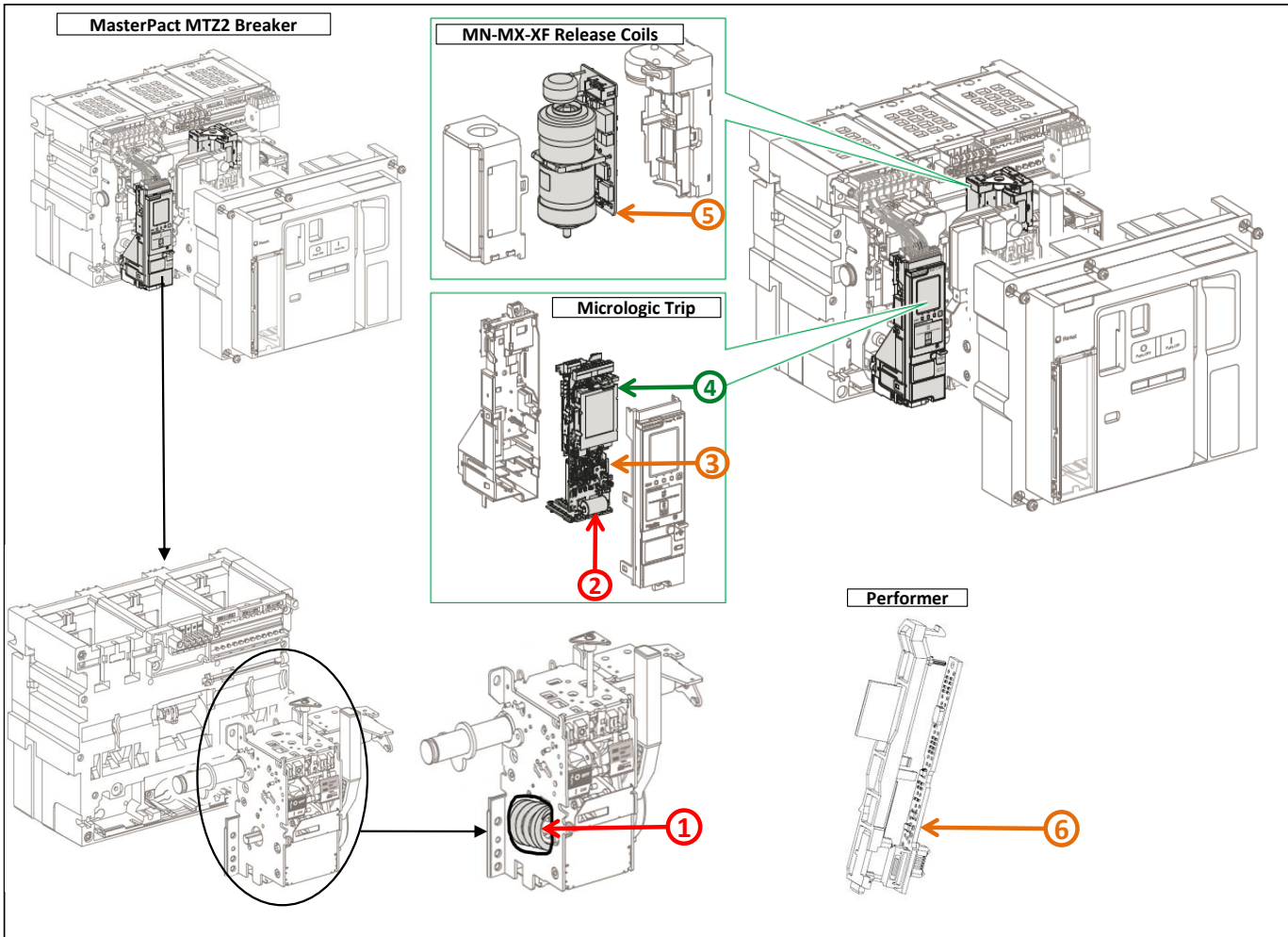
⚠️ DANGER

HAZARD OF ELECTRIC SHOCK, EXPLOSION, OR ARC FLASH

- Apply appropriate personal protective equipment (PPE) and follow safe electrical work practices. See NFPA 70E or CSA Z462 or local equivalent.
- This equipment must be installed and serviced by qualified electrical personnel.
- Turn off all power supplying this equipment before performing maintenance inspections. Assume that all circuits are live until they are de-energized, tested, grounded, and tagged. Consider all sources of power, including the possibility of backfeeding and control power.
- Always use a properly rated voltage sensing device to confirm that power is off.
- Replace all devices, doors, and covers before turning on power to this equipment.
- Beware of potential hazards and carefully inspect the work area for tools and objects that may have been left inside the equipment.

Failure to follow these instructions will result in death or serious injury.

🔧 End of Life Instructions



Recommendation	Number on drawing	Component / Material	Weight (in g)	Comment
Potential hazards	1	Energy Springs	378	For safety reasons the Energy Springs must not be dismantled The entire mechanism can be put in a shredding machine as is
Potential hazards	2	Battery	10	LI/SOCL2 1/2AA 3.6V 900mAh
To be depolluted	3	Electronic Board	89	Micrologic PCBA
To be dismantled	4	Display	15	LCD Display
To be depolluted	5	Electronic Board	31	3 Coils of MN-MX-XF
To be depolluted	6	Electronic Board	3.4	PCBA Performer

Product description

Manufacturer identification	Schneider Electric Industries SAS
Brand name	Schneider Electric
Product function	The MasterPacT MTZ2 25H1 3P Drawout Circuit Breaker is designed to guarantee the protection of a low voltage electrical distribution system with assigned voltage up to 690VAC and rated current of 2500A. The breaker can be remotely operated using closing XF release and opening MX release. The MicroLogic 5.0X control unit fitted with the circuit breaker enhances protection of electrical installation under fault conditions.
Product reference	LV848300
Total representative product mass	90000 g
Representative product dimensions	322mm x 288mm x 291mm
Accessories	Gear Motor, MN and MX Opening Releases and XF Closing Release
Date of information release	11/2023

Additional information

Legal information	This product family is in the scope of European Union directive 2012/19/EU on Waste Electrical and Electronic Equipment (WEEE). The product family must be disposed according to the legislation of the country. This document is intended for use by end of life recyclers or treatment facilities. It provides the basic information to assure an appropriate end of life treatment for the components and materials of the product.
In case of special transportation: transportation method	No
Recyclability potential	71% Recyclability rate has been calculated based on REEECYLAB tool developed by Ecosystem, for components/materials not covered by the tool, data from the "ECO'DEEE recyclability and recoverability calculation method" was taken. If no data was found a conservative assumption was used (0% recyclability).

Schneider Electric Industries SAS
Country Customer Care Center
<http://www.se.com/contact>
35, rue Joseph Monier
CS 30323
F- 92500 Rueil Malmaison Cedex
RCS Nanterre 954 503 439
Capital social 928 298 512 €

www.se.com

ENVEOLI2307020_V1

Published by Schneider Electric

© 2023 - Schneider Electric – All rights reserved

11/2023