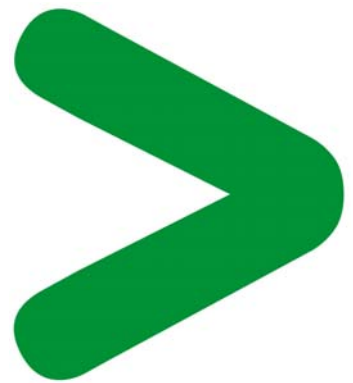

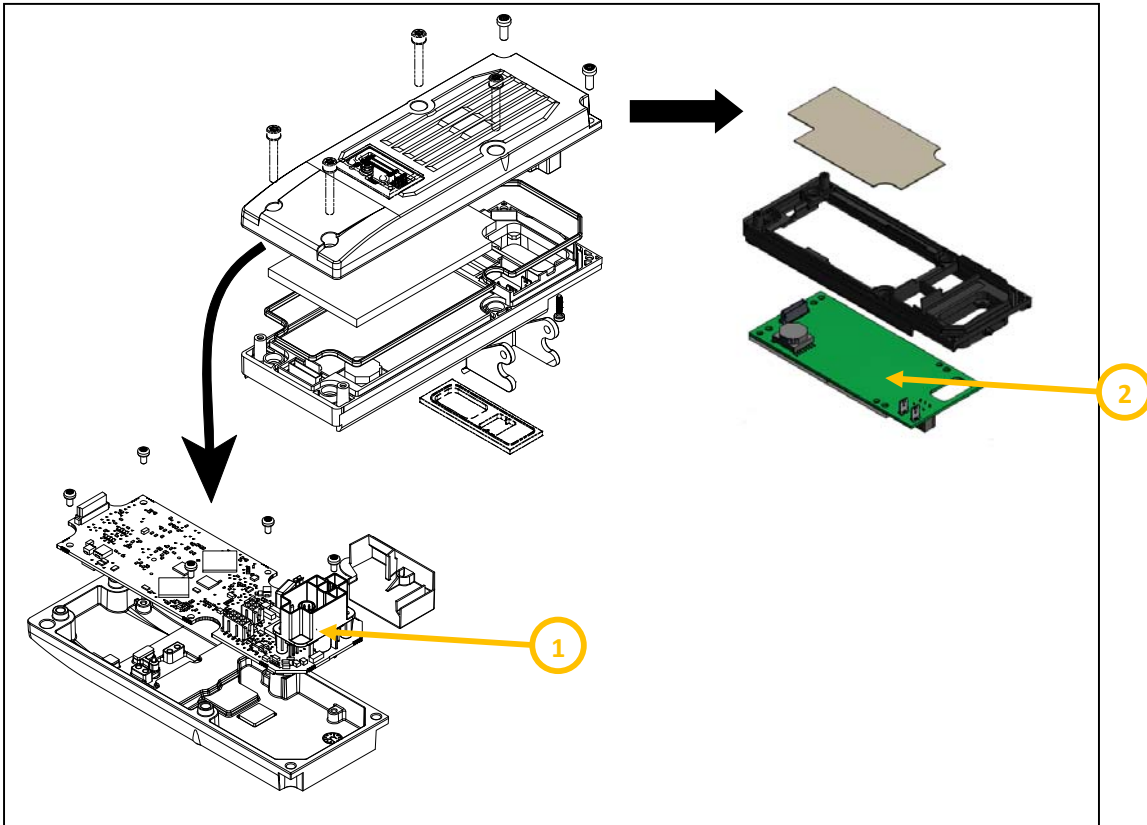


Product End of Life Instructions

ILM Servo Module



 **End of Life Instructions**



Recommendation	Number on drawing	Component / Material	Weight (in g)	Comment
To be depolluted	1	PCBA	79,20	
To be depolluted	2	PCBA	46,50	



Product description

Manufacturer identification	Schneider Electric Industries SAS
Brand name	Schneider Electric
Product function	ILM Servo Module
Product reference	ILM1002P32F0000
Additional similar product references	ILM070* / ILM100* / ILM140*
Total representative product mass	Weight in kg = 8,71
Representative product dimensions	H x L x D in mm = 189.35 x 70 x 33.5
Accessories	
Date of information release	06/2016



Additional information

Legal information	The product family must be disposed according to the legislation of the country. This document is intended for use by end of life recyclers or treatment facilities. It provides the basic information to assure an appropriate end of life treatment for the components and materials of the product.	
Recyclability potential	39%	Based on "ECO'DEEE recyclability and recoverability calculation method" (version V1, 20 Sep. 2008 presented to the French Agency for Environment and Energy Management: ADEME).

EoLI achieved with Schneider-Electric TT03 V7 procedure

Schneider Electric Industries SAS
 Schneider Electric Country Customer Care
 Center
 35, rue Joseph Monier
 CS 30323
 F- 92506 Rueil Malmaison Cedex
 RCS Nanterre 954 503 439
 Capital social 896 313 776 €
www.schneider-electric.com