



Description

Mureva is a range of IP65 surface mounted boxes available in one size, 3 colours, all with clipped-on-covers.

The boxes are suitable for all types of installations: indoor and outdoor in residential, building and industry applications.

The range includes a strain relief which is an accessory specially designed to fix the cables inside the box.

The boxes are “cold climate” compliant which means they can be used by -25°C.

Benefits

- IP65 protection: suitable for indoor and outdoor applications
- Single size boxes providing perfect comfort for cabling
- 3 colours to fit in different decoration styles
- Easy lid closing and opening
- Square shape enabling its rotation if necessary
- Very good cable retaining thanks to 12 high quality soft membranes on the sides and 2 in the bottom
- High electrical isolation thanks to well protected screw heads
- Use by -25°C certified by test bodies.





Standards & approvals



Standards	EN 60670
Approvals	CE marked according to IEC 60670 Nemko, Semko, Fimko, Demko certified
	Cold climate (use by -25°C) Can be used in temperatures below normal range down to -25°C, and complies with the impact test at -25°C on all accessible parts after installation is completed



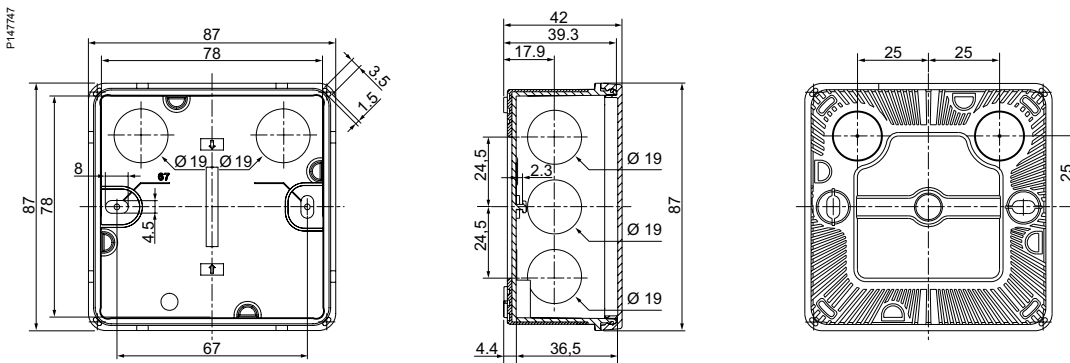
Technical and Material data

Material	Halogen free (IEC 61249-2-21)
	Insulating body made of PP/SEBS; Cover made of PP
	Colours
	Standard white series: SE-White3 RAL9003
	Standard grey series: SE-Grey6 RAL7016 (anthracite)
	Standard grey series: SE-Grey1 RAL7035 (light grey)
	Glow wire test 650°C
	RoHS compliant
Electrical data	Approved for 400 V
Temperature range	-25°C to +60°C
Mechanical protection	IK07 (2J) to EN 50102
Degree of protection	IP65 according to standard IEC 60529
Box fixing	Through box bottom, using 2 oval holes

Mureva							
Type	Colour	Dimensions A/B/C (mm)		Qty per package	EAN code	Ref. No.	
Surface mounted box with clipped-on-cover. With 12 membranes on the sides and 2 in the bottom for cables between diameter 5 mm and diameter 14 mm. IP65. Material: insulating body made of PP/SEBS; cover made of PP.							
P147720		Mureva	White RAL9003	87/87/42	1	3606481298010	IMT35344
P147719		Mureva	Anthracite RAL7016	87/87/42	1	3606481298027	IMT35345
P147718		Mureva	Light grey RAL7035	87/87/42	1	3606481298034	IMT35346

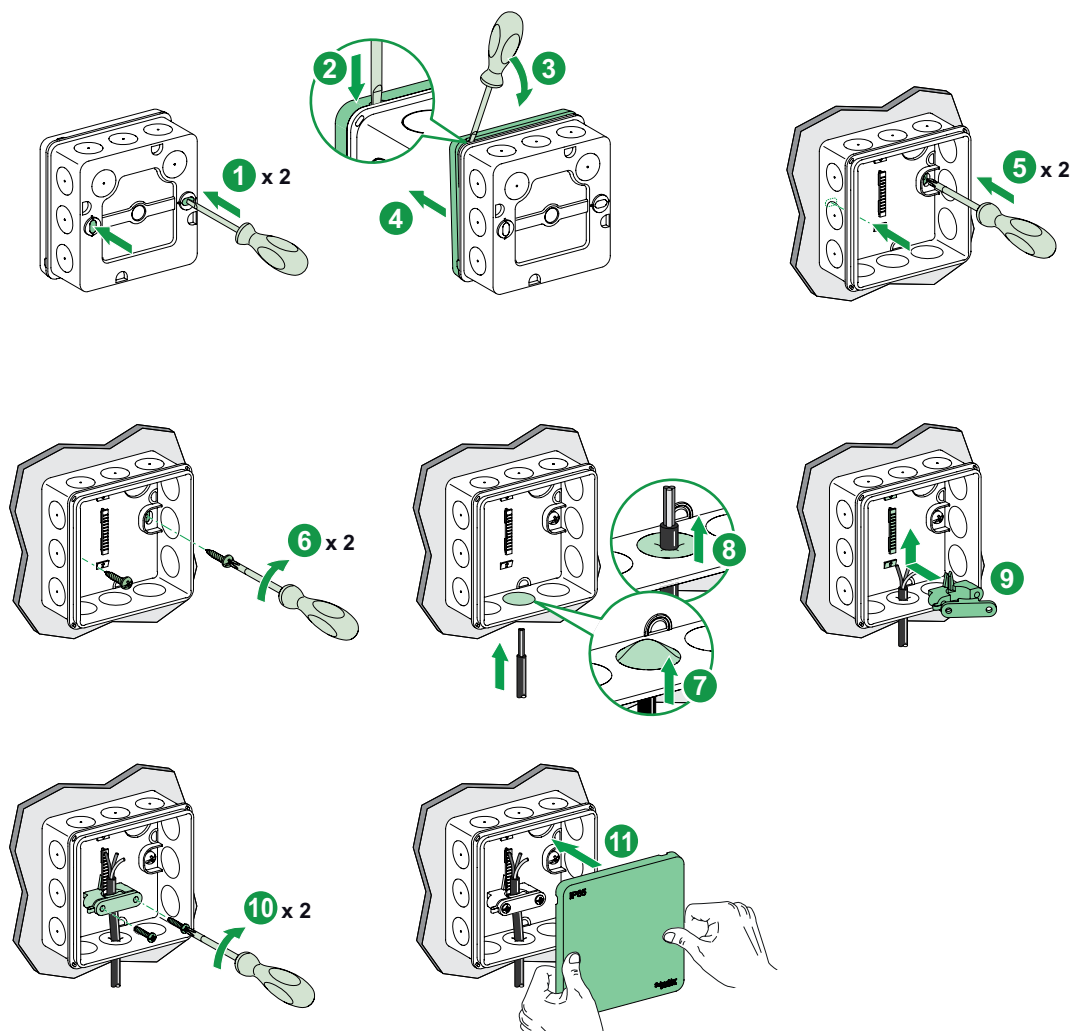
Mureva strain relief							
Type	Colour	Dimensions A/B/C (mm)		Qty per package	EAN code	Ref. No.	
Strain relief for junction box, for up to Ø 14 mm cable. Material: thermoplastic.							
P147738		Mureva strain relief	White RAL9003	33 mm	2	3606481298041	IMT35347

Dimensions



Mounting of a cable

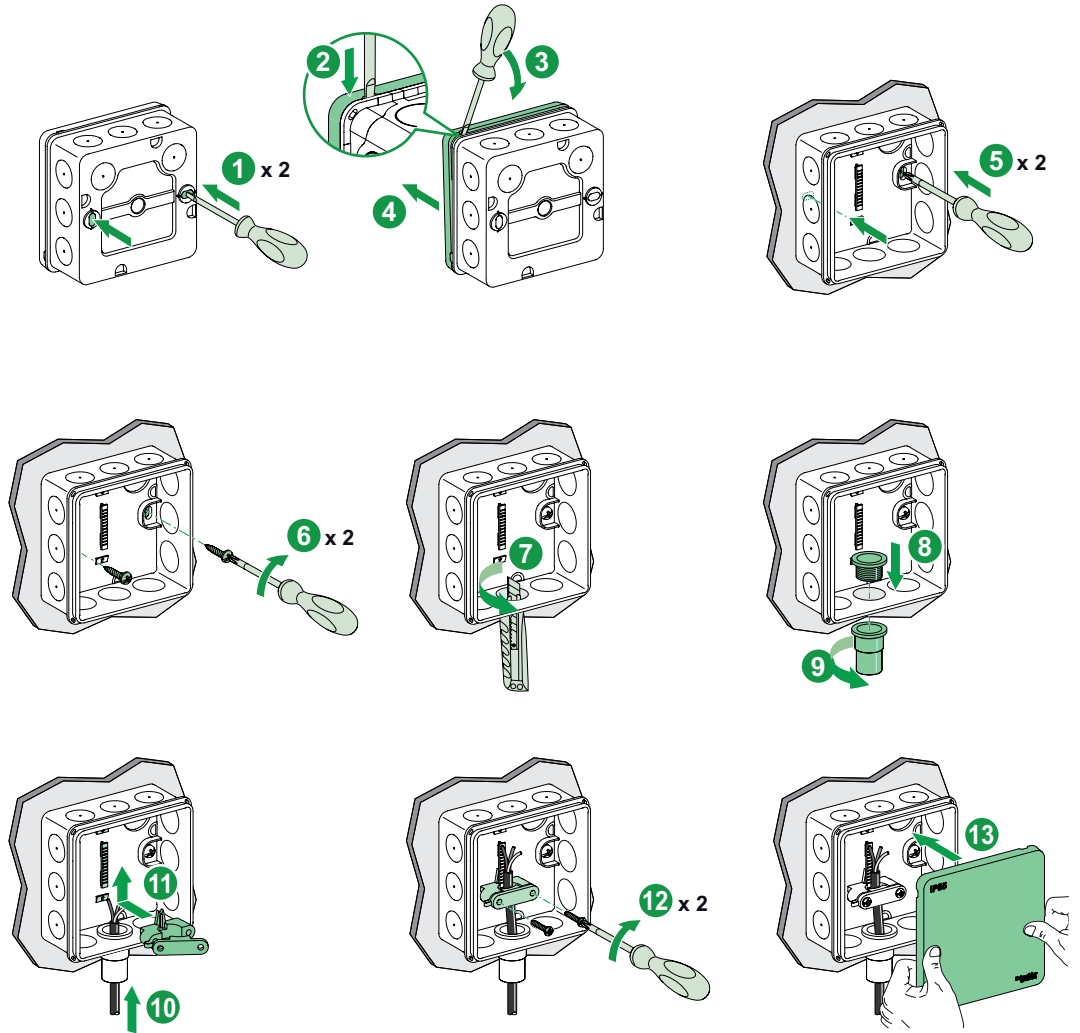
P147742



“Electrical equipment should be installed, operated, serviced, and maintained only by qualified personnel. No responsibility is assumed by Schneider Electric for any consequences arising out of the use of this material.”

Mounting of a tube

P147743



"Electrical equipment should be installed, operated, serviced, and maintained only by qualified personnel. No responsibility is assumed by Schneider Electric for any consequences arising out of the use of this material."