



Description

Mureva is a range of IP65 surface mounted boxes available in one size, 3 colours, all with clipped-on-covers.

The boxes are suitable for all types of installations: indoor and outdoor in residential, building and industry applications.

The range includes a strain relief which is an accessory specially designed to fix the cables inside the box.

The boxes are "cold climate" compliant which means they can be used by -25°C.

Benefits

- IP65 protection: suitable for indoor and outdoor applications
- Single size boxes providing perfect comfort for cabling
- 3 colours to fit in different decoration styles
- Easy lid closing and opening
- Square shape enabling its rotation if necessary
- Very good cable retaining thanks to 12 high quality soft membranes on the sides and 2 in the bottom
- High electrical isolation thanks to well protected screw heads
- Use by -25°C certified by test bodies.






Standards & approvals



Standards	EN 60670
Approvals	CE marked according to IEC 60670 Nemko, Semko, Fimko, Demko certified
	Cold climate (use by -25°C) Can be used in temperatures below normal range down to -25°C, and complies with the impact test at -25°C on all accessible parts after installation is completed



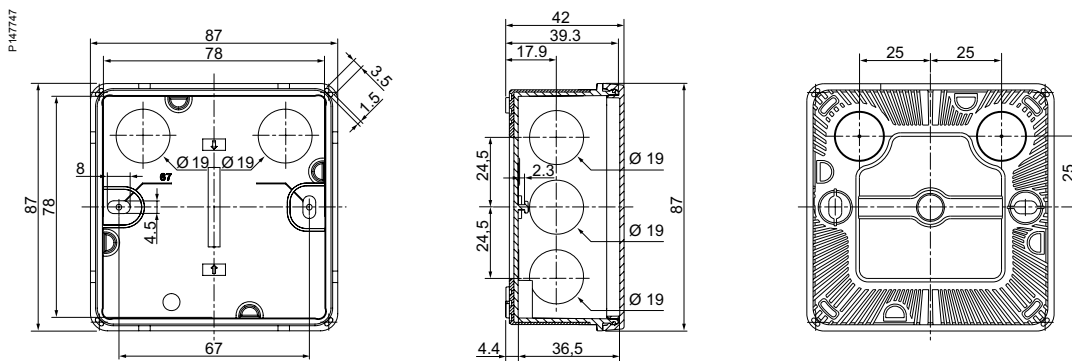
Technical and Material data

Material	Halogen free (IEC 61249-2-21)
	Insulating body made of PP/SEBS; Cover made of PP
	Colours
	Standard white series: SE-White3 RAL9003 Standard grey series: SE-Grey6 RAL7016 (anthracite) Standard grey series: SE-Grey1 RAL7035 (light grey)
	Glow wire test 650°C
	RoHS compliant
Electrical data	Approved for 400 V
Temperature range	-25°C to +60°C
Mechanical protection	IK07 (2J) to EN 50102
Degree of protection	IP65 according to standard IEC 60529
Box fixing	Through box bottom, using 2 oval holes

Mureva						
Type	Colour	Dimensions A/B/C (mm)		Qty per package	EAN code	Ref. No.
Surface mounted box with clipped-on-cover. With 12 membranes on the sides and 2 in the bottom for cables between diameter 5 mm and diameter 14 mm. IP65. Material: insulating body made of PP/SEBS; cover made of PP.						
P147720 	Mureva	White RAL9003	87/87/42	5	3606481297914	IMT35334
P147719 	Mureva	Anthracite RAL7016	87/87/42	5	3606481297938	IMT35336
P147718 	Mureva	Light grey RAL7035	87/87/42	5	3606481297945	IMT35337
Surface mounted box with clipped-on-cover, with strain relief. With 12 membranes on the sides and 2 in the bottom for cables between diameter 5 mm and diameter 14 mm. IP65. Material: Insulating body made of PP/SEBS; Cover made of PP.						
P147721 	Mureva	White RAL9003	87/87/42	5	3606481298003	IMT35343

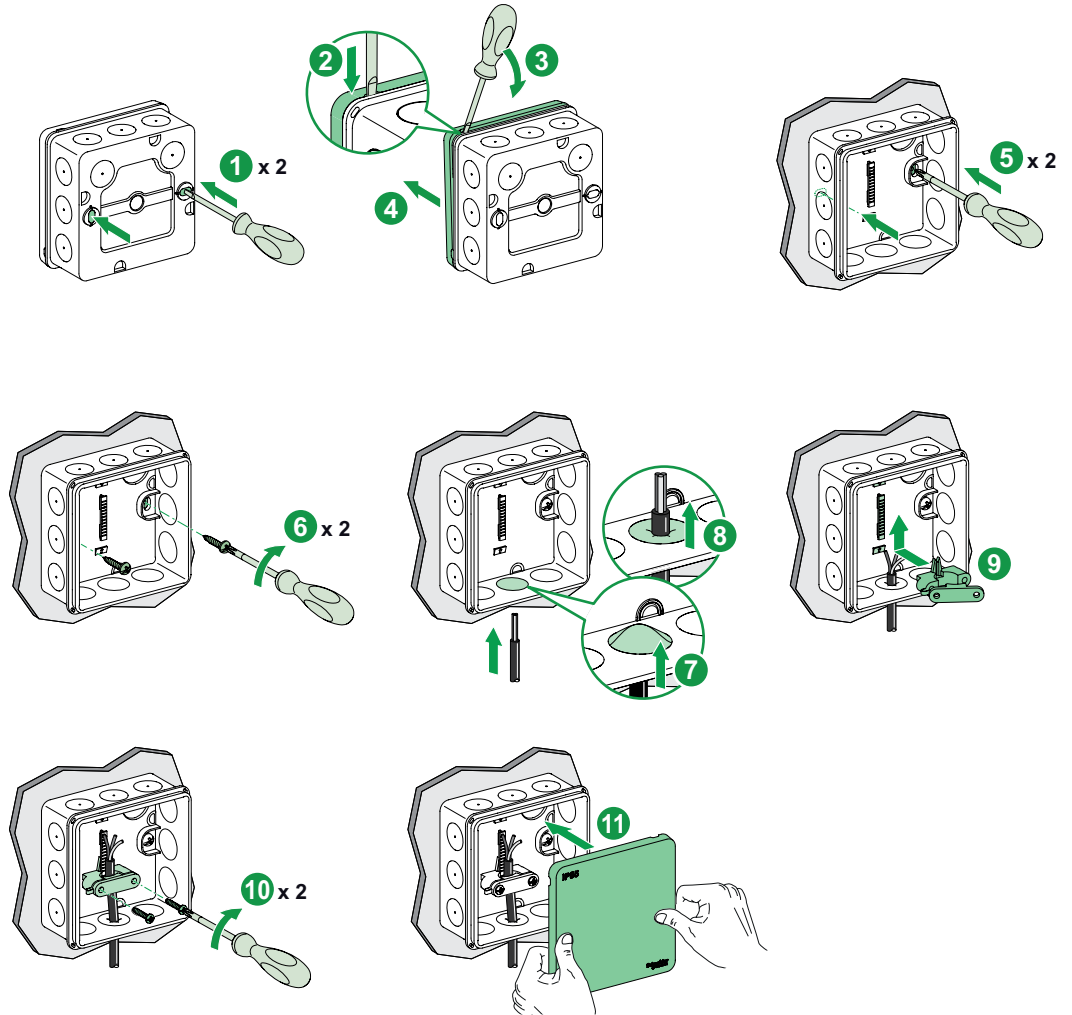
Mureva strain relief						
Type	Colour	Dimensions A/B/C (mm)		Qty per package	EAN code	Ref. No.
Strain relief for junction box, for up to Ø 14 mm cable. Material: thermoplastic.						
P147738 	Mureva strain relief	White RAL9003	33 mm	10	3606489506520	IMT35348

Dimensions



Mounting of a cable

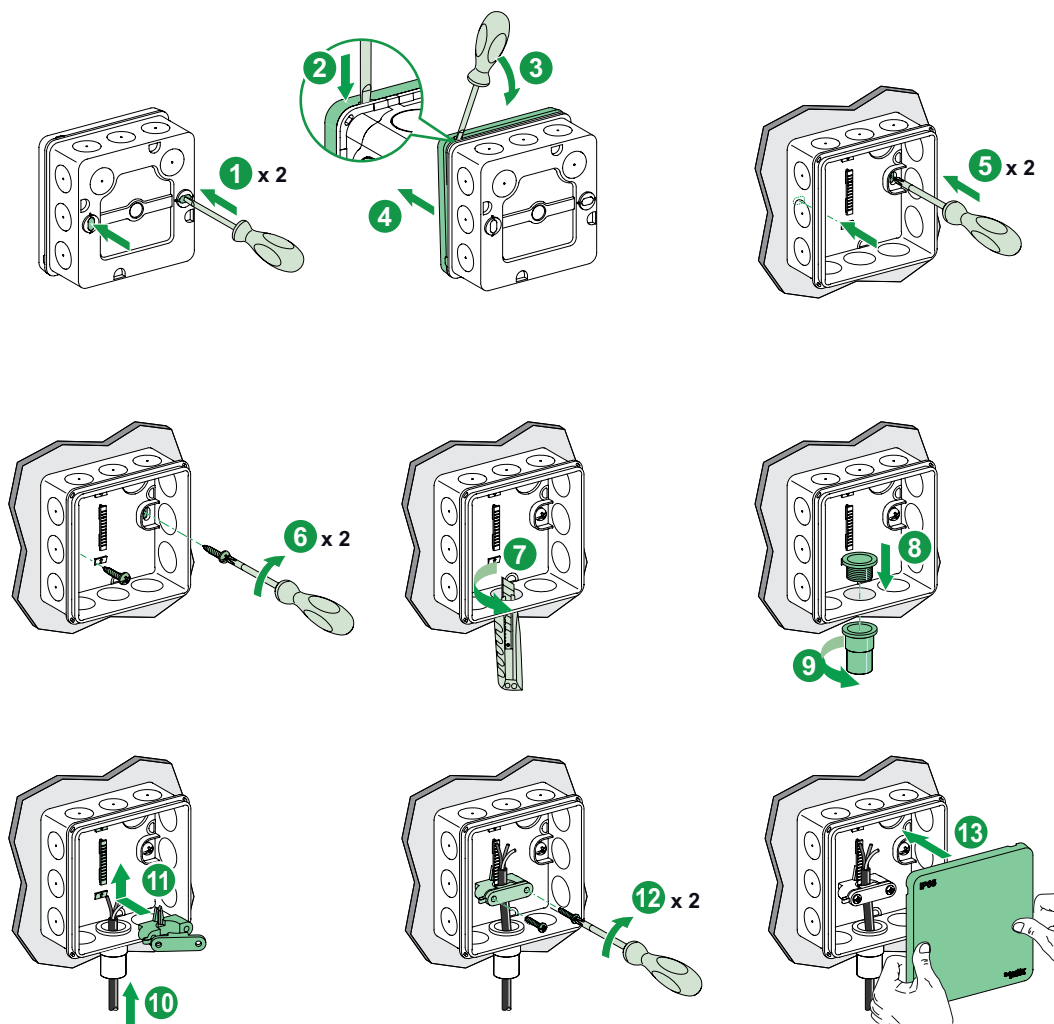
P147742



“Electrical equipment should be installed, operated, serviced, and maintained only by qualified personnel. No responsibility is assumed by Schneider Electric for any consequences arising out of the use of this material.”

Mounting of a tube

P147743



"Electrical equipment should be installed, operated, serviced, and maintained only by qualified personnel. No responsibility is assumed by Schneider Electric for any consequences arising out of the use of this material."