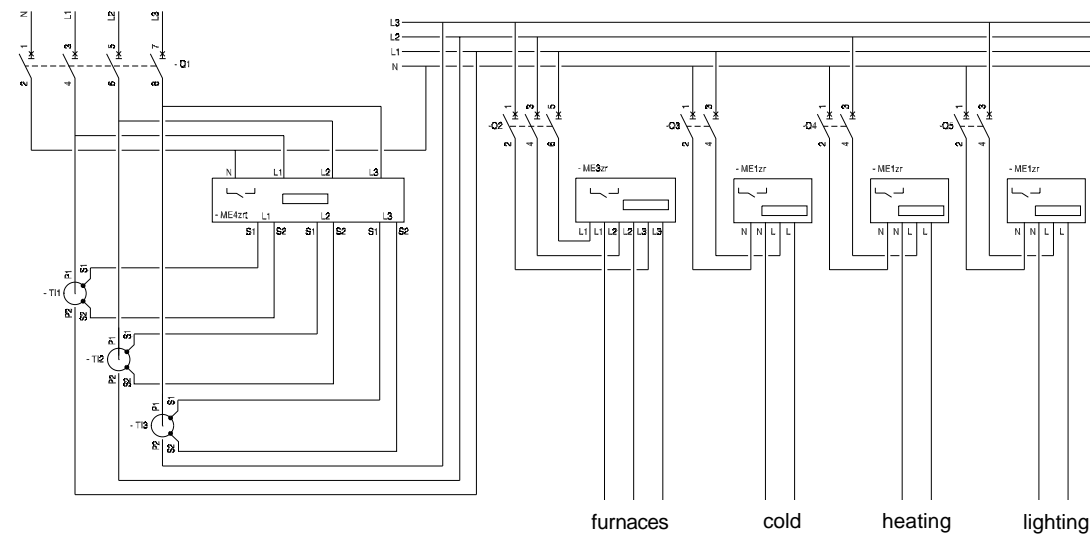


how to monitor and analyse electrical consumption of a three-phase installation with neutral?

- a three-phase meter with neutral, ME4zrt for measurement of active energy, counts the total energy consumed by the installation on the sum of the three phases: the measurement is taken using the TI1, TI2 and TI3 current transformers
- a three-phase meter ME3zr for measurement of active energy, meters the energy of the specific "furnace" circuit (direct measurement up to 63 A)
- a single-phase meter ME1zr for measurement of active energy (direct measurement up to 63 A) meters the energy of the specific "lighting" circuit
- a single-phase meter ME1zr for measurement of active energy (direct measurement up to 63 A) meters the energy of the specific "heating" circuit
- a single-phase meter ME1zr for measurement of active energy (direct measurement up to 63 A) meters the energy of the specific "cold" circuit
- a yellow indicator light on the front face of the meter flashes according to consumption.

electrical circuit



products used	qty	cat.no.
4P C60N	1	
3P C60N	1	
2P C60N	3	

products used	qty	cat.no.
ME4zrt	1	17072
ME3zr	1	17076
ME1zr	3	17067
TI 75/5	3	16502

additional information

■ the ME4zrt, ME3zr and ME1zr meters have a partial meter with resetting and an NO impulse contact (200 ms) with remote transfer of metering

■ the configurable CTS on the ME4zrt can have ratios from 40 to 6000/5 A they must not be earthed.

