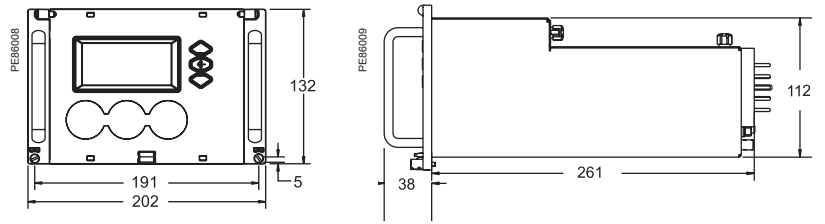


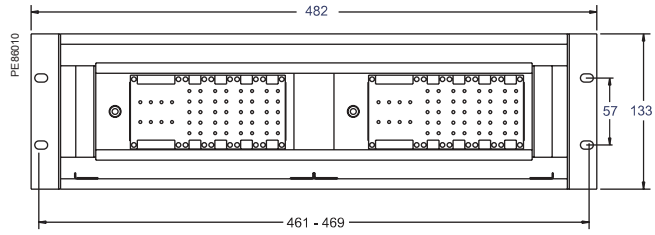
ION8800

Installation and connections

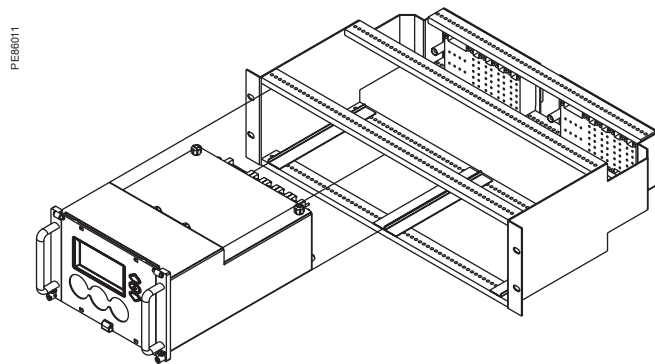
ION8800 dimensions



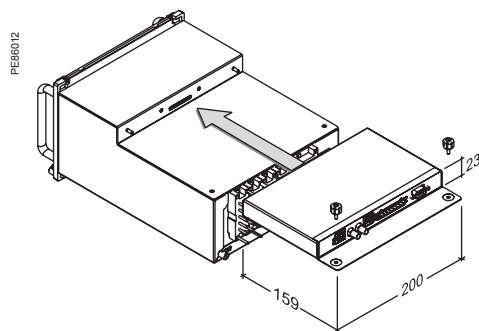
ION8800 Essailec rack dimensions



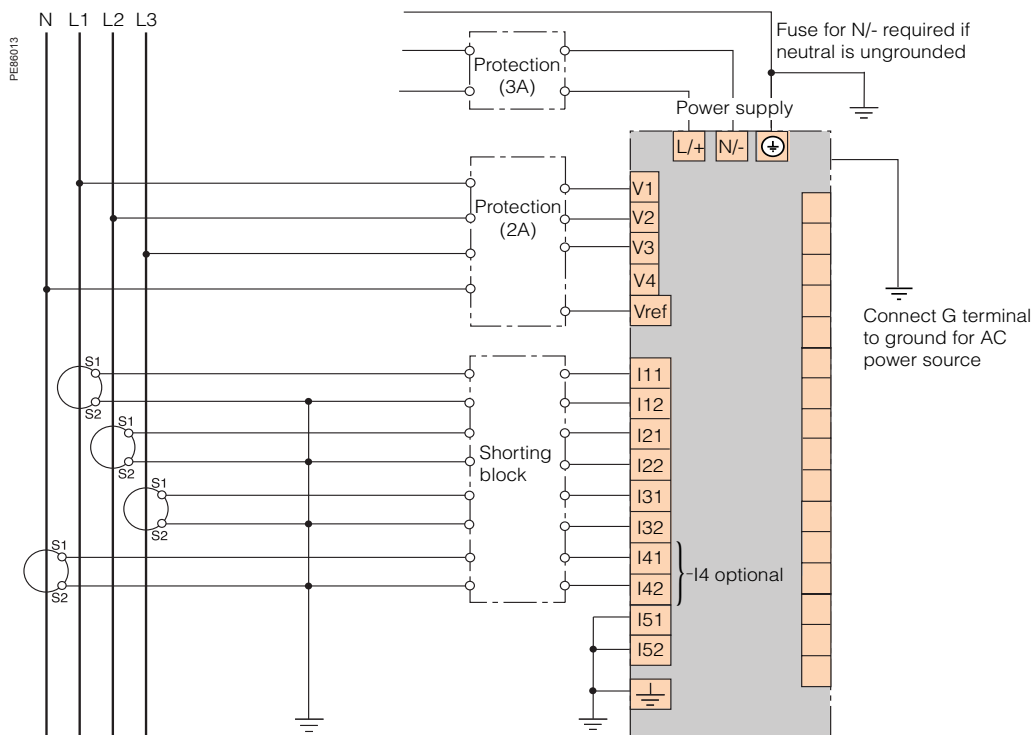
Rack mounting the ION8800



ION8800 communication module dimensions

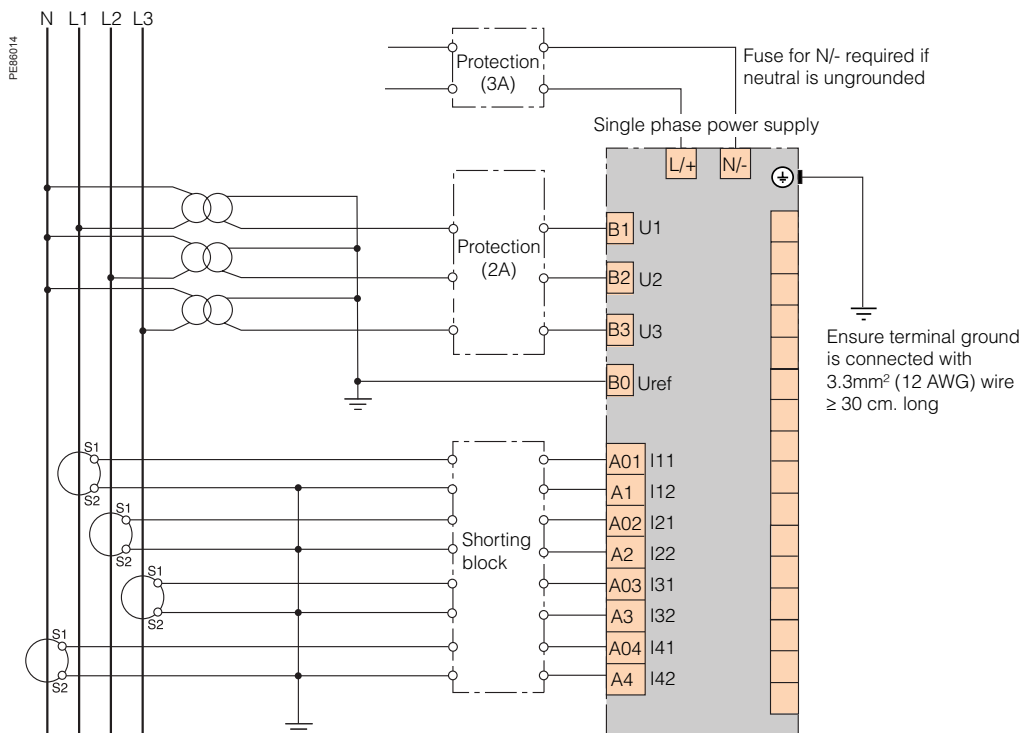


4-wire 3 element direct connection

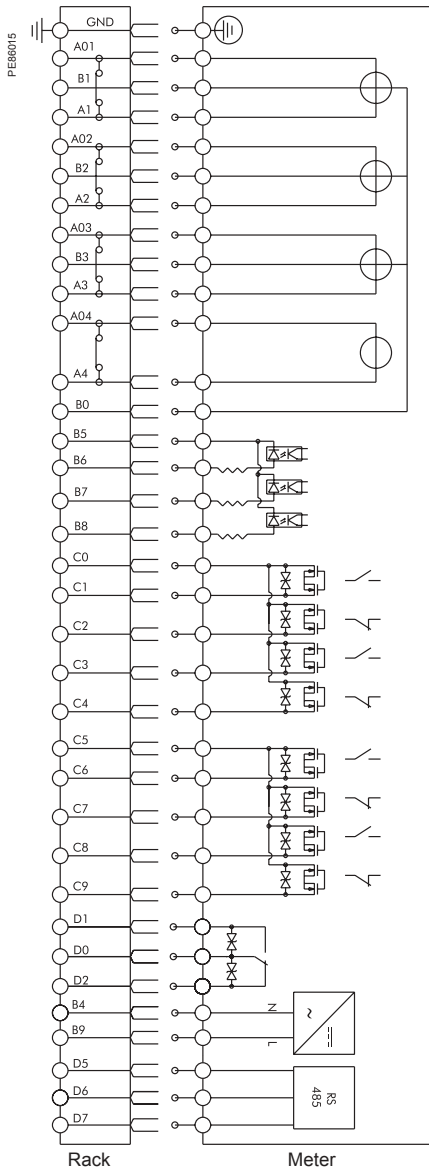


Connection representation only. See product installation guide for complete wiring and communication connection details.

4-wire 3 element 3 PT connection



Connection representation only. See product installation guide for complete wiring and communication connection details.



Item	Meter port	Essailec pin	Description
Current measurement inputs	I11	A01	standard
	I12	A1	standard
	I21	A02	standard
	I22	A2	standard
	I31	A03	standard
	I32	A3	standard
	I41	A04	optional
	I42	A4	optional
Voltage measurement inputs	Vref	B0	standard
	V1	B1	standard
	V2	B2	standard
	V3	B3	standard
Digital inputs	DI-SCOM	B5	standard; common
	DI1	B6	standard
	DI2	B7	standard
	DI3	B8	standard
Power supply inputs (AC/DC)	Power supply N/-	B4	Power supply neutral (-)
	Power supply L/+	B9	Power supply line (+)
Form C solid-state relays	DO1 & DO2 K	C0	standard; common
	DO1	C1	standard; NO
	DO1	C2	standard; NC
	DO2	C3	standard; NO
	DO2	C4	standard; NC
	DO3 & DO4 K	C5	standard; common
	DO3	C6	standard; NO
	DO3	C7	standard; NC
	DO4	C8	standard; NO
DO4	C9	standard; NC	
Form C mechanical relay	Alarm K	D0	standard; common
	Alarm	D1	standard; NO
	Alarm	D2	standard; NC
	-	D3	Unused
RS 485 com	RS 485 Shield	D5	RS 485 shield
	RS 485 +	D6	RS 485 +
	RS 485 -	D7	RS 485 -
	-	D8	Unused
IRIG-B clock synchronization input ⁽¹⁾	IRIG-B input common	D4	optional; clock synch input Common
	IRIG-B input	D9	optional; clock synch input

(1) Option not currently available.

Essailec representation only. See product installation guide for complete Essailec rack wiring and communication connection details.

