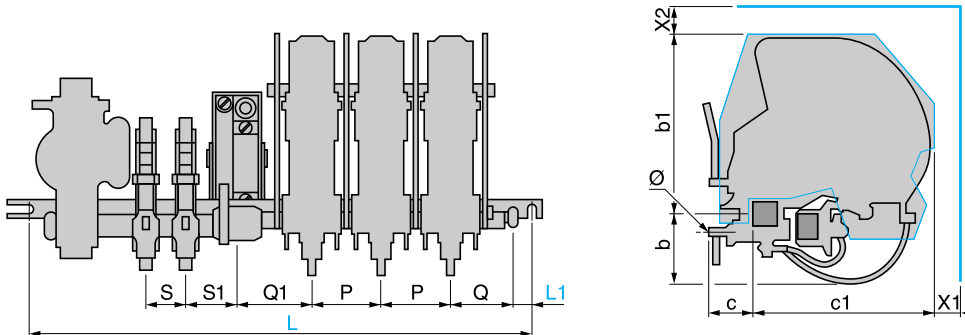


TeSys contactors

Contactors CV3, sizes F to K
for direct a.c.

Dimensions



Dimension L: fixing centres depending on the number of N/O or N/C main poles, with or without magnetic blow-out, and the number of **ZC4 GM** auxiliary contact blocks in addition to the maintaining contact.

CV3 contactor size	Number of poles	Number of auxiliary contacts ZC4 GM									
		Without auxiliary time delay contact					With 1 auxiliary time delay contact				
		0	1	2	3	4	0	1	2	3	4
F (1)	1	195	225	285	285	285	285	285	285	345	345
	2	285	285	285	345	345	285	345	345	345	385
	3	345	345	345	385	385 (2)	345	385	385	445 (2)	445 (2)
	4	345	385 (2)	445 (2)	445 (2)	445 (2)	445 (2)	445 (2)	445 (2)	540 (2)	540 (2)
G (1)	1	195	285	285	285	285	285	285	285	345	345
	2	285	285	285	345	345	285	345	345	385	385
	3	285	345	345	385	385	345	385	385	445	540
	4	385	385	385	445 (2)	540 (2)	445 (2)	540 (2)	540 (2)	540 (2)	540 (2)
H (1)	1	285	285	285	285	345	285	285	345	345	345
	2	285	345	345	345	385	345	345	385	385	445
	3	345	385	385	445	445	385	445	445	445	540
	4	445	445	445	540	–	445	540	–	–	–
J (3)	1	285	285	285	345	345	285	345	345	385	385
	2	385	385	445 (2)	445 (2)	540 (2)	445 (2)	540 (2)	540 (2)	540 (2)	540 (2)
	3	540 (2)	540 (2)	540 (2)	635 (2)	635 (2)	540 (2)	635 (2)	635 (2)	–	–
K (3)	1	285	345	345	345	385	345	345	385	385	635
	2	445	445	445	540	635	445	540	635	635	760
	3	635	635	635	635	760	635	635	760	760	–

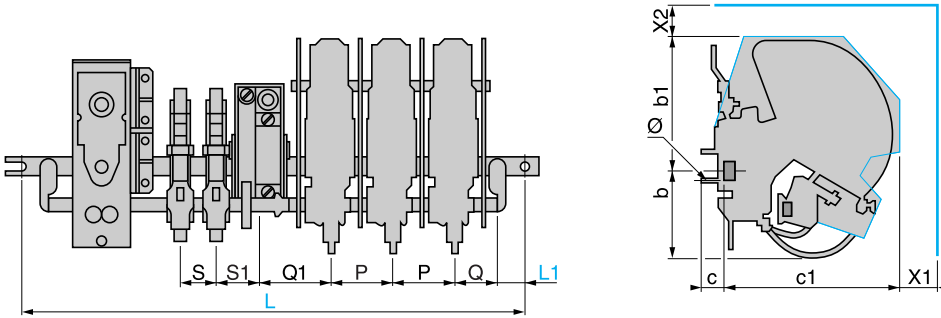
CV3 contactor size												Minimum electrical clearance	
	Ø	b	b1	c	c1	L1	P	Q	Q1	S	S1	X1	X2
F	M6	76	120	15	157	15	50	46	51	20	30	25	15
G	M8	60	164	43	155	15	50	47	51	20	35	20	15
H	M10	62	188	52	176	20	60	57	56	20	35	60	55
J	M10	69	164	55	155	15	100	72	76	20	35	60	15
K	M12	84	188	60	176	20	117	86	87	20	35	60	55

(1) N/O poles (Normally Open), N/C poles (Normally Closed)
 (2) These contactors are fitted with a more powerful EC1 electromagnet.
 (3) Only N/O main poles.

TeSys contactors

Contactors CV3, sizes F to K
for direct d.c.

Dimensions



Dimension L: fixing centres depending on the number of N/O or N/C main poles, with or without magnetic blow-out, and the number of ZC4 GM auxiliary contact blocks in addition to the maintaining contact.

CV3 contactor size	Number of poles	Number of auxiliary contacts ZC4 GM									
		Without auxiliary time delay contact					With 1 auxiliary time delay contact				
		0	1	2	3	4	0	1	2	3	4
F (1)	1	225	225	285	345	345	285	345	345	345	385
	2	285	345	345	345	385	345	345	385	445	445
	3	345	345	385	445	445	385	445	445	540	540
	4	385	445	445	540	540	445	540	540	540	540
G (1)	1	195	285	285	285	345	285	285	345	345	385
	2	285	285	345	345	385	285	345	385	385	445
	3	345	345	385	385	445	385	385	445	–	–
	4	385	385	445	445	–	–	–	–	–	–
H (1)	1	285	285	285	345	345	285	345	345	385	445
	2	285	345	345	385	445	345	385	445	445	540
	3	345	385	445	445	540	445	445	540	540	540
	4	445	445	540	540	–	540	540	–	–	–
J (2)	1	285	285	345	345	385	285	345	385	385	–
	2	345	385	445	445	–	–	–	–	–	–
K (2)	1	285	345	345	385	385	345	385	445	445	445
	2	445	445	540	540	540	445	540	540	–	–

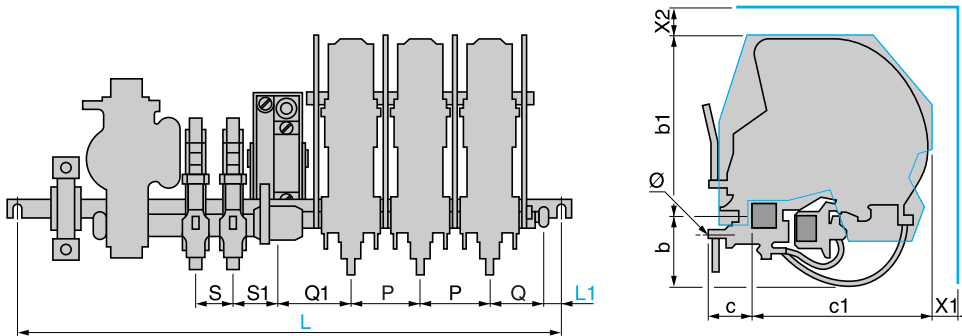
CV3 contactor size												Minimum electrical clearance	
	Ø	b	b1	c	c1	L1	P	Q	Q1	S	S1	X1	X2
F	M6	78	120	15	157	20	50	48	51	25	38	25	15
G	M8	60	164	43	155	15	50	47	51	25	45	20	15
H	M10	62	188	52	176	20	60	57	56	25	45	60	55
J	M10	69	164	55	155	15	100	72	76	25	45	60	15
K	M12	84	188	60	176	20	117	86	87	25	45	60	55

(1) N/O poles (Normally Open), N/C poles (Normally Closed).
(2) Only N/O main poles.

TeSys contactors

Contactors CV3, sizes F to K
for rectified a.c. with economy resistor,
for d.c. with economy resistor

Dimensions



Dimension L: fixing centres depending on the number of N/O or N/C main poles, with or without magnetic blow-out, and the number of **ZC4 GM** auxiliary contact blocks in addition to the maintaining contact.

CV3 contactor size	Number of poles	Number of auxiliary contacts ZC4 GM									
		Without auxiliary time delay contact					With 1 auxiliary time delay contact				
		0	1	2	3	4	0	1	2	3	4
F	1 N/O or 1 N/C	225	285	285	285	345	285	345	345	345	385
	2 N/O or 2 N/C	285	345	345	345	385	345	345	385	445	445
	3 N/O	345	345	385	445	445	385	445	445	445	–
	4 N/O	385	445	445	445	–	445	445	–	–	–
G	1 N/O or 1 N/C	285	285	345	345	345	345	345	345	385	385
	2 N/O or 2 N/C	345	345	345	385	445	385	385	445	445	445
	3 N/O	385	385	445	445	445	445	445	540	540	540
	4 N/O	445	445	540	540	540	540	540	540	540	540
H	1 N/O or 1 N/C	345	345	345	385	385	345	385	385	385	445
	2 N/O or 2 N/C	385	385	385	445	445	385	445	445	445	540
	3 N/O	445	445	445	540	540	445	540	540	540	635
	4 N/O	540	540	540	635	635	540	635	635	–	–
J	1 N/O	345	345	385	385	445	385	385	445	445	445
	2 N/O	445	445	540	540	540	540	540	540	540	540
	3 N/O	540	540	540	540	540	635	635	–	–	–
K	1 N/O	385	385	385	445	445	385	445	445	445	540
	2 N/O	540	540	540	540	635	540	540	635	635	–
	3 N/O	540	635	635	–	–	760	760	760	–	–

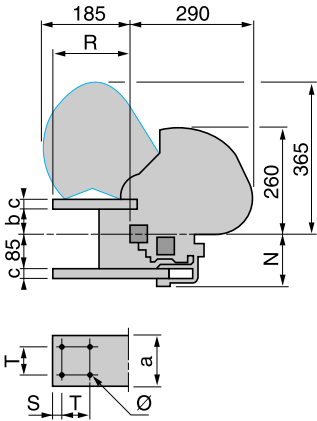
CV3 contactor size												Minimum electrical clearance	
	Ø	b	b1	c	c1	L1	P	Q	Q1	S	S1	X1	X2
F	M6	75	120	17	149	15	50	48	51	20	38	25	153
G	M8	60	164	43	134	15	50	47	51	20	45	20	15
H	M10	62	188	52	176	20	60	57	56	20	45	60	55
J	M10	69	164	55	155	15	100	72	76	20	45	60	15
K	M12	84	188	60	176	20	117	86	87	20	45	60	55

TeSys contactors

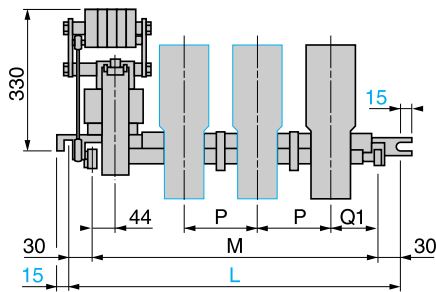
Contactors CV3, sizes L to R and LC1 B

Dimensions

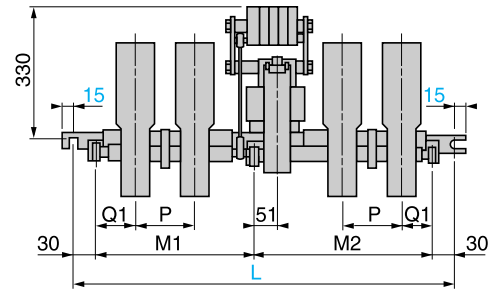
Common side view



Contactors CV3 and LC1 B, single-pole, 2-pole or 3-pole



Contactors type CV3 and LC1 B, 4-pole



Fixing screws: $\varnothing 8$ for CV3 and LC1 B size L,
 $\varnothing 10$ for all other contactor sizes.

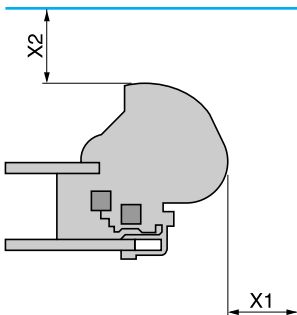
CV3 and LC1 B contactor size

Number of poles (1)	L				M				P				R			
	1	2	3	4	1	2	3	4	1	2	3	4	1	2	3	4
a	50	50	50	50	63	63	63	63	100	100	100	100	125	125	125	125
b	59	59	59	59	55	55	55	55	55	55	55	55	50	50	50	50
c	16	16	16	16	20	20	20	20	20	20	20	20	25	25	25	25
L	345	445	540	760	345	445	540	760	385	540	760	1065	445	635	885	1065
M	285	385	480	—	285	385	480	—	325	480	700	—	385	575	825	—
M1	—	—	—	308	—	—	—	308	—	—	—	455	—	—	—	455
M2	—	—	—	392	—	—	—	392	—	—	—	550	—	—	—	550
N	121	121	121	121	125	125	125	125	125	125	125	125	130	130	130	130
P	100	100	100	100	100	100	100	100	150	150	150	150	195	195	195	195
Q1	100	100	100	100	100	100	100	100	110	110	110	110	130	130	130	123
R	122	122	122	122	157	157	157	157	173	173	173	173	173	173	173	173
S	10	10	10	10	17	17	17	17	20	20	20	20	20	20	20	20
T	30	30	30	30	30	30	30	30	60	60	60	60	60	60	60	60
Ø	9	9	9	9	11	11	11	11	11	11	11	11	11	11	11	11

(1) N/O main poles type "P".

Minimum electrical clearance

Values X1 and X2 are given for a breaking capacity of 10 In (3-phase ~ current).



CV3 and LC1 B contactor size		L	M	P	R
3-phase ~ voltage					
380/440 V	X1	100	100	150	200
	X2	150	150	200	250
500 V	X1	100	100	150	200
	X2	150	150	220	250
660/690 V	X1	150	150	200	200
	X2	200	200	250	250
1000 V	X1	200	200	200	250
	X2	250	250	250	300