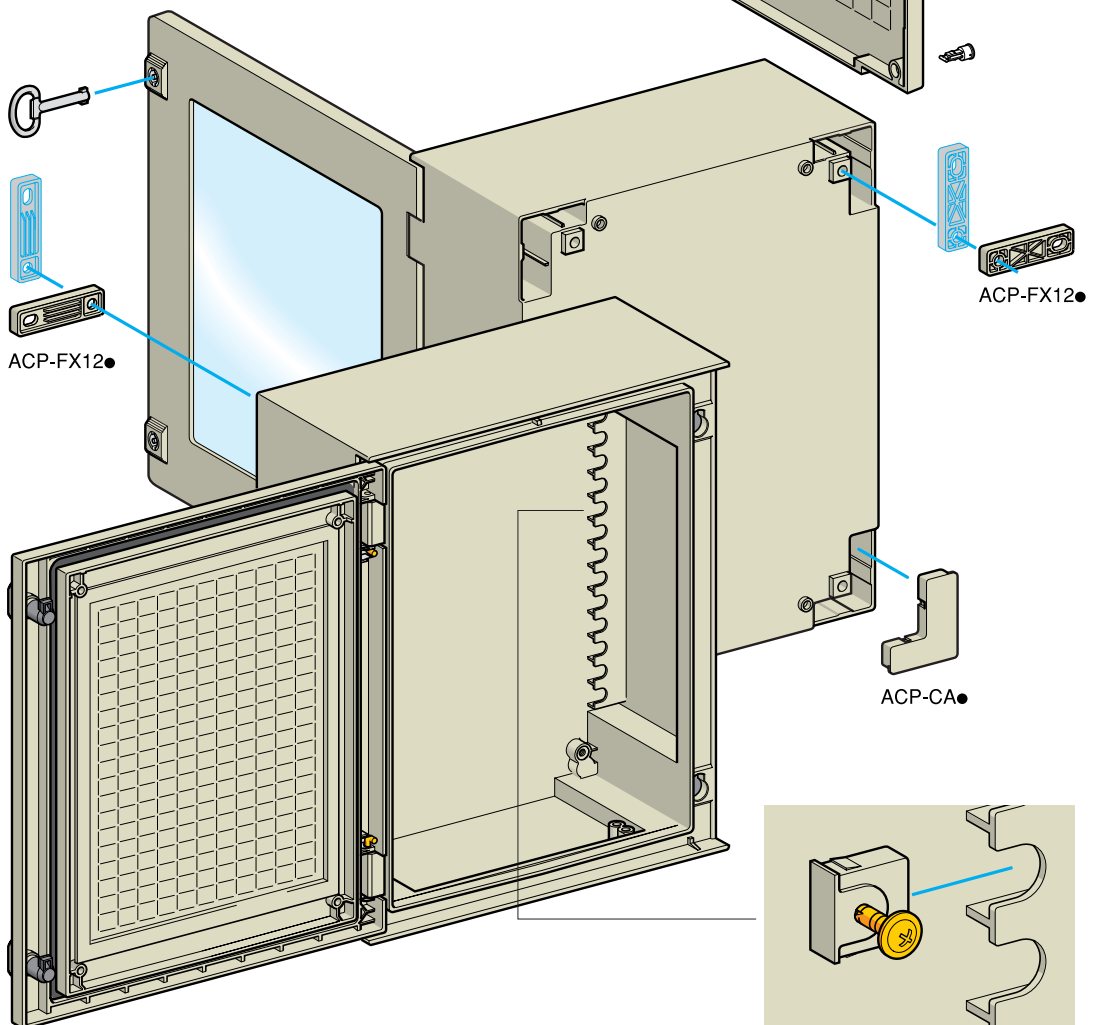


ACP-GH

ACP-DP



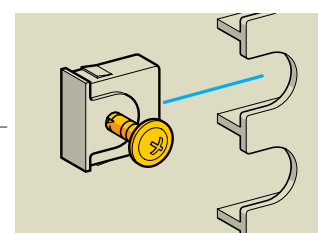
ACP-FX12●

ACP-FX12●

ACP-CA●

ACP-GV

ACP-EP5



Enclosures

Insulated dust and water-tight enclosures, type ACP
without mounting plate (1)

Colour: grey RAL 7032

Type ACP "monobloc" polyester IP 66 (IEC 529)

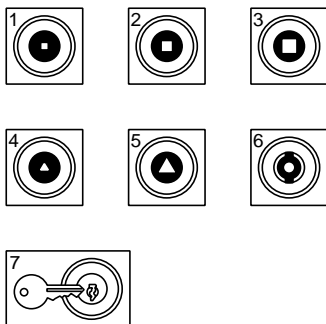
External dimensions			Fixing centres for chassis with pre-slotted or solid mounting plates		Door with window	Reference	Weight
Height	Width	Depth	Vertical	Horizontal			
mm	mm	mm	mm	mm			kg
310	215	160	225	125	no	ACP-GV312116	1.300
					yes	ACP-GH312116	1.300
430	330	200	325	225	no	ACP-GV43332	4.300
					yes	ACP-GH43332	4.600
530	430	200	425	325	no	ACP-GV53432	6.300
					yes	ACP-GH53432	7.000
647	436	250	525	325	no	ACP-GV654425	8.400
					yes	ACP-GH654425	9.200
747	536	300	625	425	no	ACP-GV75543	12.100
					yes	ACP-GH75543	13.200
847	636	300	725	525	no	ACP-GV85643	14.900
					yes	ACP-GH85643	15.900
1055	852	350	925	725	no	ACP-GV10835	27.800
					yes	ACP-GH10835	29.800

Inner door

For enclosure	Height	Width	Reference	Weight
	mm	mm		kg
ACP-G●43332	315	205	ACP-DP4333	0.820
ACP-G●53432	415	305	ACP-DP5343	1.420
ACP-G●654425	515	305	ACP-DP6544	1.750
ACP-G●75543	615	405	ACP-DP7554	2.300
ACP-G●85643	715	505	ACP-DP8564	3.100
ACP-G●10835	976	756	ACP-DP108	5.800

Accessories (to be ordered separately)

Description	Type	Unit reference	Weight
			kg
4 rear blanking plugs	For enclosure ACP-G●312116	ACP-CA1	0.050
	For enclosures ACP-G●43332 and 53432	ACP-CA2	0.060
	For enclosures ACP-G●654425 to 85643	ACP-CA3	0.060
	For enclosure ACP-G●10835 (2)	-	-
4 adjustable fixing lugs	For enclosure ACP-G●312116	ACP-FX121	0.070
	For enclosures ACP-G●43332 to 10835	ACP-FX122	0.080



Door release mechanism for ACP enclosure (except for enclosure ref. ACP-G●10835)(3)	Type	Reference	Weight
1	6 mm square stud	ACP-VP113	0.100
2	7 mm square stud	ACP-VP102	0.100
3	8 mm square stud	ACP-VP103	0.100
4	CNOM0 triangle 1 (Δ 6.5)	ACP-VP104	0.100
5	CNOM0 triangle 2 (Δ 8)	ACP-VP105	0.100
6	Double bar key	ACP-VP106	0.100
7	Key n° 455	ACP-VP455	0.100

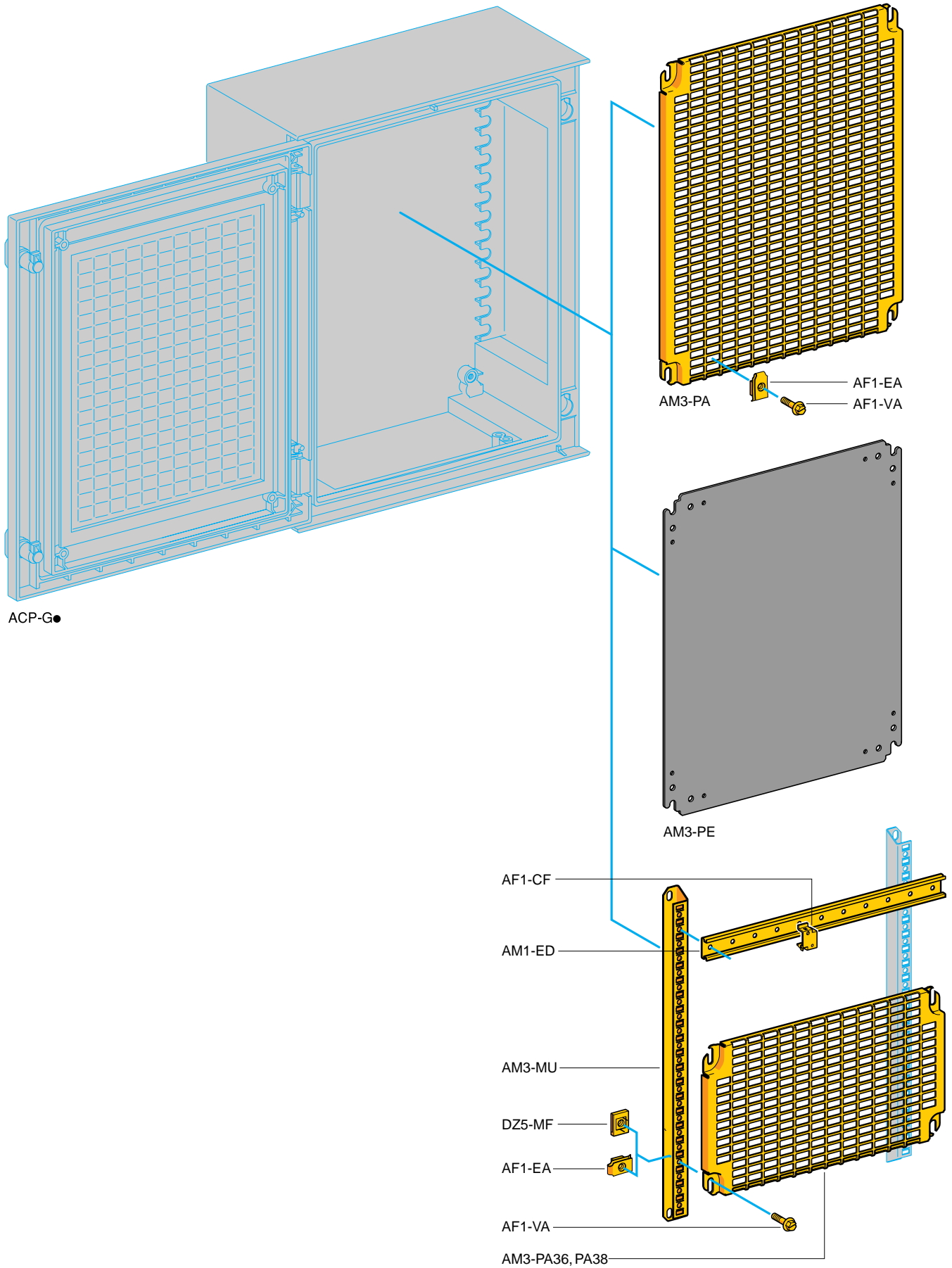
Locking device	For use with padlocks	ACP-VX123	0.080
----------------	-----------------------	-----------	-------

Self-adhesive plastic pocket	(260 x 250 x 40) for holding A4 format drawings	AE1-XV02	0.100
------------------------------	---	----------	-------

(1) Enclosure supplied with hardware for mounting equipment supports.

(2) Blanking plugs mounted in this enclosure as standard: ventilation by provision of holes in appropriate locations.

(3) Use mechanisms ref. ACP-VP4551 and ACP-VP1061 (see page 13100/3).



Enclosures

Insulated dust and water-tight enclosures, type ACP

Equipment mounting plates (for mounting in empty enclosure)

For enclosure	Surface area of plate dm ²	Type of mounting plate	Reference	Weight kg
ACP-G●312116	3.85	Telequick pre-slotted	AM3-PA32	0.340
		Solid (galvanised)	AM3-PG32	0.600
ACP-G●43332	8.73	Telequick pre-slotted	AM3-PA43	0.720
		Solid (galvanised)	AM3-PG43	1.360
ACP-G●53432	15.88	Telequick pre-slotted	AM3-PA54	1.260
		Solid (galvanised)	AM3-PG54	2.500
ACP-G●654425	19.60	Telequick pre-slotted	AM3-PA64	1.540
		Solid (galvanised)	AM3-PG64	3.000
ACP-G●75543	29.20	Telequick pre-slotted	AM3-PA75	2.250
		Solid (galvanised)	AM3-PG75	4.560
ACP-G●85643	41.47	Telequick pre-slotted	AM3-PA86	3.130
		Solid (galvanised)	AM3-PG86	9.650
ACP-G●10835	71.15	Telequick pre-slotted	AM3-PA108	4.970
		Solid (galvanised)	AM3-PG108	16.670

Pre-drilled uprights, mounting rails and strip mounting plates

Description	Fixing centres			Sold in lots of	Unit reference	Weight kg
	Vertical H mm	Horizontal L mm	Depth D mm			
Uprights	325	–	30	2	AM3-MU4	0.360
Pre-drilled	425	–	30	2	AM3-MU5	0.470
	525	–	30	2	AM3-MU6	0.580
	625	–	30	2	AM3-MU7	0.690
	725	–	30	2	AM3-MU8	0.800
	925	–	30	2	AM3-MU10	1.030
Combination rails thickness 1.5 mm ^e (1)	–	225	15	10	AM1-ED021	0.210
	–	325	15	10	AM1-ED031	0.310
	–	425	15	10	AM1-ED041	0.390
	–	525	15	10	AM1-ED051	0.480
	–	725	15	10	AM1-ED071	0.670
	–	2000	15	10	AM1-ED200	1.310
Strip mounting plates	225	525	–	1	AM3-PA36	1.135
		725	–	1	AM3-PA38	1.510

Hardware (sold in lots of 100, except ACP-EP5 and ACP-ES● sold in lots of 20)

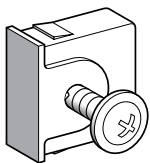
Type	Description	Unit reference	Weight kg
ACP	Plastic nuts and screws for direct mounting in enclosure	ACP-EP5	0.006
	M5 metal inserts for mounting on door (3)	ACP-ES5	0.038
	M6 metal inserts for mounting on door (3)	ACP-ES6	0.038
M3	Clip nuts	AF1-EA3	0.005
	Sliding clip nuts	AF1-CF34	0.010
M4	Clip nuts	AF1-EA4	0.005
	Sliding clip nuts	AF1-CF34	0.010
	Notched clamp nuts	AF1-CG4	0.007
	Associated screws	AF1-VA410 (4)	0.002
		AF1-VA416 (4)	0.002
M5	Clip nuts	AF1-EA5	0.008
	Sliding clip nuts	AF1-CF56	0.010
	Notched clamp nuts	AF1-CG5	0.007
	Associated screws	AF1-VA512 (4)	0.003
		AF1-VA518 (4)	0.004
M6	Clip nuts	AF1-EA6	0.008
	Sliding clip nuts	AF1-CF56	0.010
	Notched clamp nuts	DZ5-MF6	0.007
	Associated screws	AF1-CG6	0.007
		AF1-VA612 (4)	0.005
		AF1-VA618 (4)	0.006
M4.8 x 16	Self-piercing screws with hexagon head for rails and equipment	AF1-VT516 (4)	0.003
M5 x 10	Screw with slotted insulated head for fixing ducting	AF1-VB510 (4)	0.003
M6 x 10	Self-tapping screw, Pozidrive TCBL for rails and equipment	TA1-ZL02	0.003

(1) For other mounting rails, see page 13402/2.

(2) For mounting AK5 pre-assembled panel busbar system, see page 13231/2.

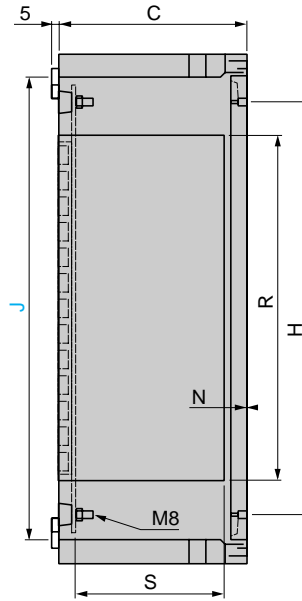
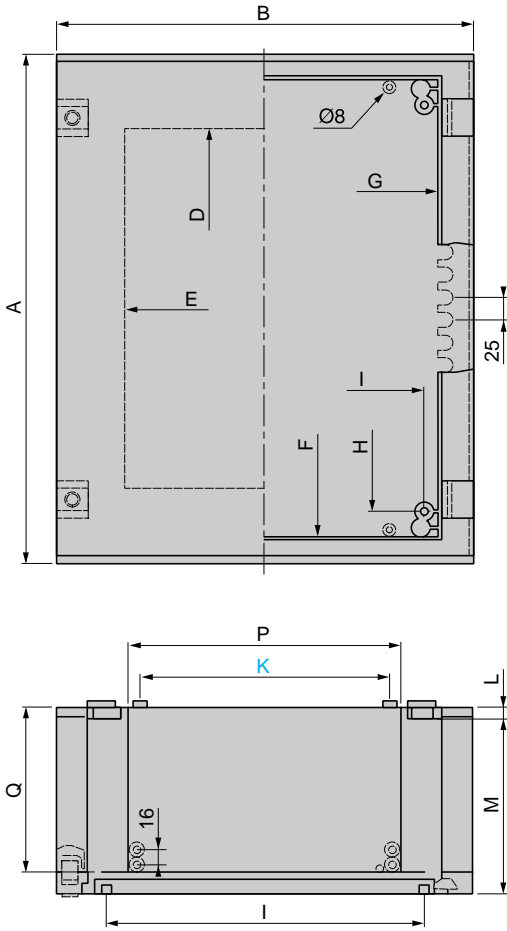
(3) ACP-ES5 for enclosures ACP-GV43332 and 53432, ACP-ES6 for enclosures ACP-GV654425 to 10835.

(4) The last two figures of the reference refer to the length of the threaded shank.

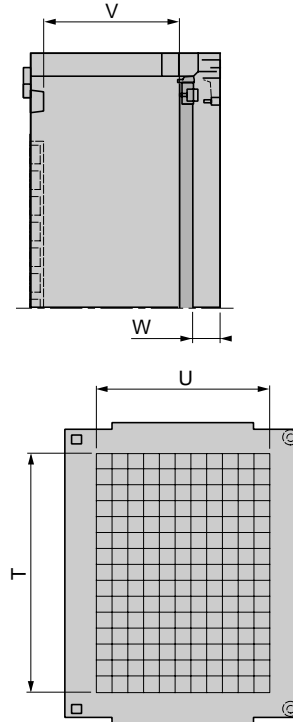


ACP-EP5

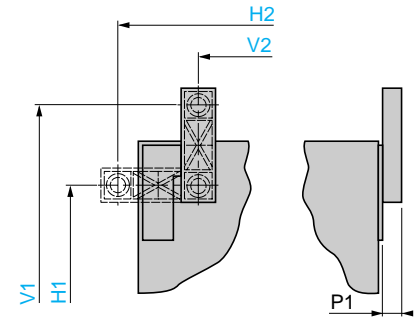
Insulated dust and water-tight enclosures
ACP



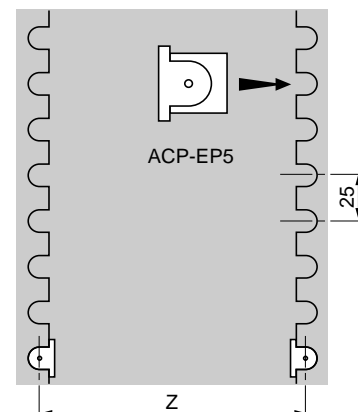
Inner door
ACP-DP●●●



Wall fixing lug
ACP-FX12●

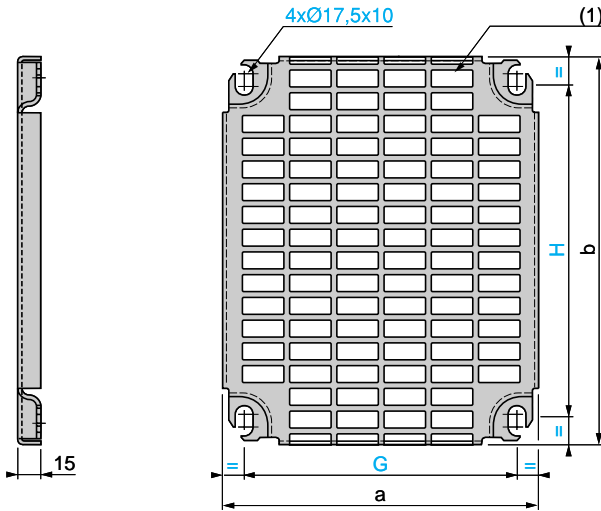


AM1-ED mounting rail fixing
direct in rear of enclosure



	ACP-G	312116	43332	53432	654425	75543	85643	10835
External	A	310	430	530	647	747	847	1055
	B	215	330	430	436	536	636	852
	C	160	200	200	250	300	300	350
Window	D	310	280	380	480	580	680	864
	E	215	200	300	300	400	500	694
Usable access area	F	270	380	480	580	680	780	980
	G	170	260	360	360	460	560	760
Chassis fixing	H	225	325	425	525	625	725	925
	I	125	225	325	325	425	525	725
Internal fixing	J	275	375	475	575	675	775	975
	K	75	150	250	250	350	450	650
	L	8	13	13	13	15	15	15
	M	144	181	181	228	278	278	327
Cable way	N	2.3	2.7	2.9	2.9	3	3	4
	P	132	179	279	279	379	479	684
	Q	129	168	168	212	261	261	304
	R	186	247	347	388	487	587	776
	S	121	150	150	192	241	241	267
Enclosure fixing	H1	247	355	455	555	655	755	955
	H2	239	360	460	465	565	665	885
Enclosure fixing	V1	334	490	590	690	790	890	1090
	V2	152	225	325	330	430	530	750
Fixing lug thickness	P1	8	15	15	15	15	15	15
Partitioning	T	-	315	415	515	615	715	875
	U	-	205	305	305	405	505	675
Usable depth	V	-	152	152	194	244	244	269
	W	-	26	26	32	32	32	38
With ACP-EP5	Z	180	280	380	380	480	580	795

Pre-slotted mounting plates AM3-PA



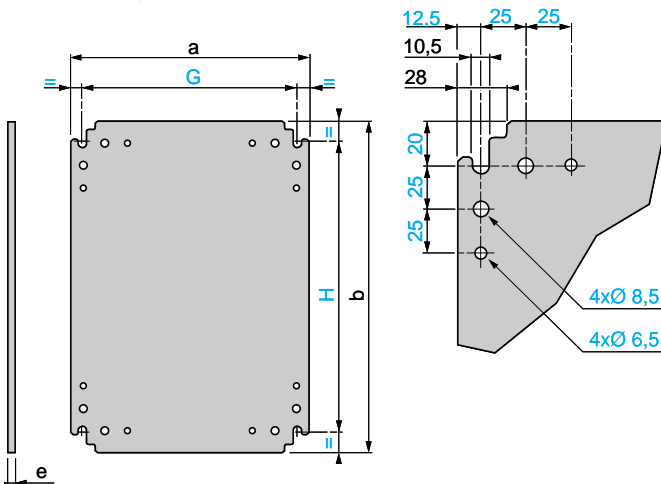
AM3-PA	32 (2)	36	38	43	54	64
a	154	551	751	251	351	351
b	255	255	255	349	450	555
G	125	525	725	225	325	325
H	225	225	225	325	425	525

AM3-PA	75	86	108
a	451	551	751
b	645	750	945
G	425	525	725
H	625	725	925

(1) $\varnothing 11 \times 26$ on 15×30 pitch.

(2) Without fold and without stamping.

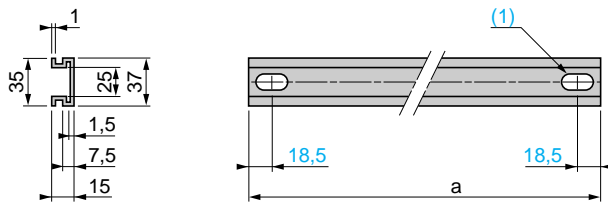
Solid mounting plates AM3-PG



AM3-PG	32	43	54	64	75
a	150	250	350	350	450
b	265	365	465	565	665
G	125	225	325	325	425
H	225	325	425	525	625
thickness	2	2	2	2	2

AM3-PG	86	108
a	550	750
b	765	965
G	525	725
H	725	925
thickness	3	3

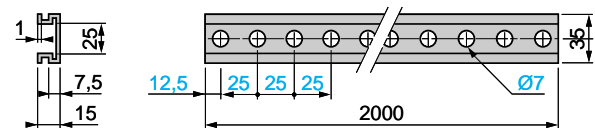
Combination rails AM1-ED01



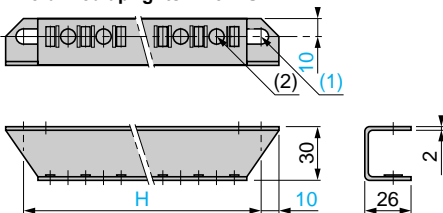
AM1-	ED021	ED031	ED041	ED051	ED061	ED071
a	250	350	450	550	650	750

(1) 2 elongated holes 6.5 x 19

Combination rail AM1-ED200



Pre-drilled uprights AM3-MU



AM3-MU	4	5	6	7	8	10
H min.	310	410	510	610	710	910
H max.	325	425	525	625	725	925

(1) 2 elongated holes 8.5 x 21.

(2) $\varnothing 8.5$ on 25 mm pitch.

References :
pages 13104/3 and 13104/5