

Enclosures

Metal enclosures, type ACM

Colour: textured grey RAL 7032

Conforming to standards

ACM metal enclosures are construction components which can be used to build electrical panels as defined in the comments of section 558 of standard NFC 15-100, "Low voltage electrical installations".

| | | | |
|---|-----------------------------------|--|--|
| Enclosures | | Welded metal, dust and damp protecting enclosures, type ACM | |
| Material | | Folded and welded sheet steel | |
| Sheet steel thickness | | Door ≤ 600 x 500: 1.2 mm ≥ 600 x 600: 2 mm | |
| Paint | | 60 % polyester powder and 40 % epoxy on phosphated base | |
| Colour | | Grey RAL 7032 | |
| Protective treatment | | "TC" | |
| Finish | | Textured | |
| Degree of protection | | IP 55 conforming to IEC 529 | |
| Resistance to external mechanical impact | | 20 joules (code IK 10 conforming to NF EN 50102) | |
| Door | Mounting method | Mounted on invisible stainless steel hinges, reversible, removable, 120° opening with vertical strengtheners drilled at 25 mm intervals for door ≥ 500 x 300. | |
| | Closing mechanism | Automatic latching fastener, opened by key n° 455 - 1 latching point for enclosures ≤ 1000 x 800 - 2 latching points for 1200 x 800 enclosure (option on enclosures 700 to 1000) | |
| | Sealing | Continuous moulded rubber seal, resistant to chemical agents, sealing on triangular-shaped edge around the enclosure, which acts as a gutter channel and spray deflector. | |
| | Load | ≤ 50 daN for distortion of 1.5 mm max | |
| Equipment mounting bracket fixing method | Pre-slotted mounting plate AM3-PA | 4 welded studs Ø M8 x 25 | |
| | Chassis upright AM3-MU | 4 welded studs Ø M8 x 25 | |
| | Solid mounting plate AM3-PG | 4 welded studs Ø M8 x 25 | |
| Earthing | | M6 x 15 copper studs welded inside enclosure and on door | |
| Gland plate | | Metal, removable, in base of enclosure - 1 plate for enclosures ≤ 900 x 700 - 2 plates for enclosures 800 x 800 and ≥ 1000 x 800 | |
| Enclosure fixing | Wall | | |
| | | From inside | Via 4 points - M8 bolts without washers or M6 bolts with washers (hardware to be ordered separately) |
| | | From outside | By 4 adjustable fixing lugs made of treated steel (to be ordered separately) |

Enclosures

Empty metal enclosures, type ACM (1)

Colour: textured grey RAL 7032



ACM-GV



ACM-GV

| External dimensions | | | Fixing centres for mounting plate or chassis | | Gland plate | No. of door latching points for enclosure | | Reference (to be completed) (2) | Weight |
|---------------------|-------|-------|--|------|-------------|---|-------------|---------------------------------|--------|
| Height | Width | Depth | H mm | G mm | No. | Std | CNOMO 1 (2) | | kg |
| b mm | a mm | c mm | | | | | | | |
| 300 | 250 | 150 | 225 | 175 | 1 | 1 | 1 | ACM-GV32515 | 3.160 |
| 400 | 250 | 150 | 325 | 175 | 1 | 1 | 1 | ACM-GV42515 | 5.500 |
| | 300 | 200 | 325 | 225 | 1 | 1 | 1 | ACM-GV432 | 6.520 |
| | 400 | 200 | 325 | 325 | 1 | 1 | 1 | ACM-GV442 | 8.000 |
| 500 | 300 | 200 | 425 | 225 | 1 | 1 | 1 | ACM-GV532 | 9.000 |
| | 400 | 200 | 425 | 325 | 1 | 1 | 1 | ACM-GV542 | 9.300 |
| | | 250 | 425 | 325 | 1 | 1 | 1 | ACM-GV5425 | 10.340 |
| 600 | 400 | 200 | 525 | 325 | 1 | 1 | 1 | ACM-GV642 | 10.800 |
| | | 250 | 525 | 325 | 1 | 1 | 1 | ACM-GV6425 | 11.590 |
| | 500 | 250 | 525 | 425 | 1 | 1 | 1 | ACM-GV6525 | 12.000 |
| | 600 | 300 | 525 | 525 | 1 | 1 | 1 | ACM-GV663 | 18.700 |
| 700 | 500 | 250 | 625 | 425 | 1 | 1 | 2 | ACM-GV7525 | 17.830 |
| | 600 | 300 | 625 | 525 | 1 | 1 | 2 | ACM-GV763 | 18.750 |
| 800 | 600 | 200 | 725 | 525 | 1 | 1 | 2 | ACM-GV862 | 23.200 |
| | | 300 | 725 | 525 | 1 | 1 | 2 | ACM-GV863 | 27.000 |
| | 800 | 300 | 725 | 725 | 2 | 1 | 2 | ACM-GV883 | 33.000 |
| 900 | 700 | 300 | 825 | 625 | 1 | 1 | 2 | ACM-GV973 | 33.200 |
| 1000 | 800 | 300 | 925 | 725 | 2 | 1 | 2 | ACM-GV1083 | 38.800 |
| | | 400 | 925 | 725 | 2 | 1 | 2 | ACM-GV1084 | 43.800 |
| 1200 | 800 | 300 | 1125 | 725 | 2 | 2 | 2 | ACM-GV1283 (3) | 45.500 |

Accessories (to be ordered separately)

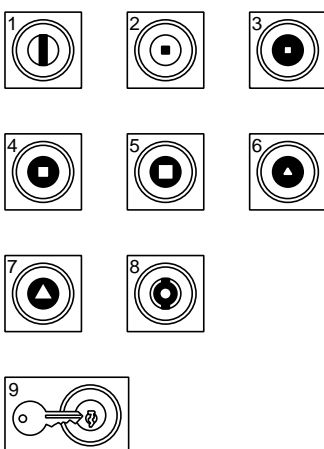
| Description | Unit reference | Weight kg |
|---|---|-----------|
| Adjustable fixing lugs (sold in lots of 4) | AE3-FX122 | 0.080 |
| Padlocking device for up to 3 padlocks (except for door release with key n°455 and other key numbers) | AE2-VX523 | 0.080 |
| Door restrainer (110° max. opening) | AE3-LX521 | 0.150 |
| Automatic latching device | 700 and 800 mm AE3-VP274 | 0.400 |
| 2 latching points for enclosure height: (supplied without door release mechanism, to be ordered separately) | 900 and 1000 mm AE3-VP294 | 0.450 |
| Door release mechanism for enclosure | 1 Screwdriver slot AE3-VP●10 | 0.100 |
| replace the ● in the reference with: | 2 6 mm square socket AE3-VP●01 | 0.100 |
| 1 (for a device with 1 latching point), | 3 6 mm square stud AE3-VP●13 | 0.100 |
| 2 (for a device with 2 latching points) | 4 7 mm square stud AE3-VP●02 | 0.100 |
| | 5 8 mm square stud AE3-VP●03 | 0.100 |
| | 6 CNOMO triangle 1 (Δ 6.5) AE3-VP●04 | 0.100 |
| | 7 CNOMO triangle 2 (Δ 8) AE3-VP●05 | 0.100 |
| | 8 Double bar key AE3-VP●06 | 0.100 |
| | 9 Key n° 455 AE3-VP●11 | 0.100 |
| | Key n° 405 AE3-VP112405 | 0.100 |
| | Key other than n° 455 (4) AE3-VP●12 | 0.100 |
| Self-adhesive pocket (260 x 250 x 40) for holding A4 format drawings | AE1-XV02 | 0.100 |

(1) Enclosure supplied with hardware for mounting equipment supports. Door with 1 latching point.

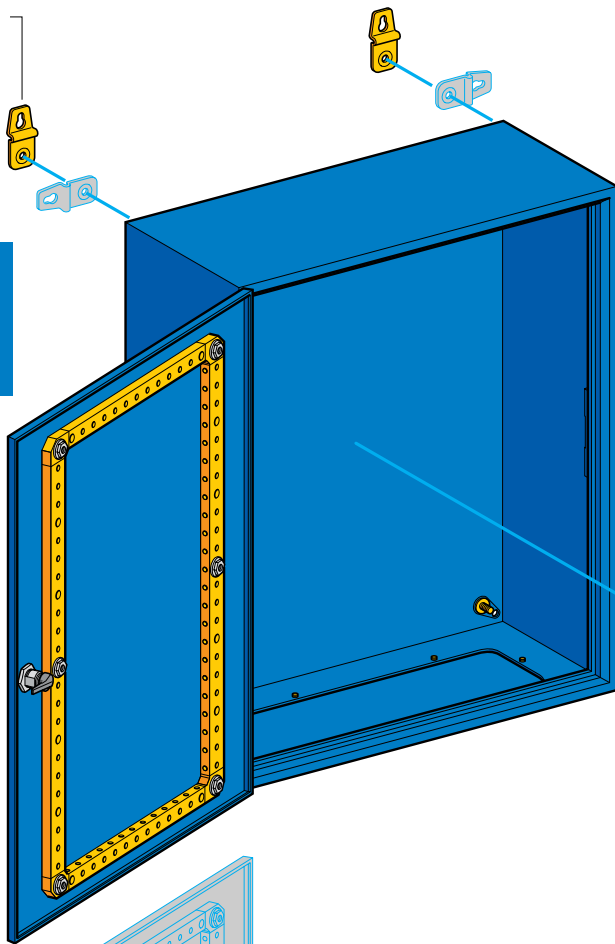
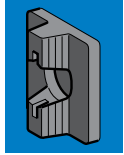
(2) To order an enclosure with CNOMO triangle 1 (Δ 6.5), add suffix H30 to the reference.

(3) This enclosure has a door with 2 latching points and 1 door release mechanism AE3-VP211 as standard.

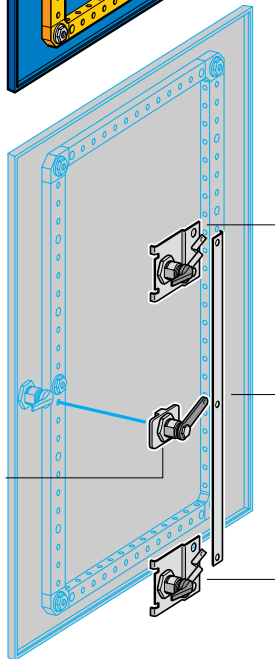
(4) Please consult your Regional Sales Office.



AE3-FX122

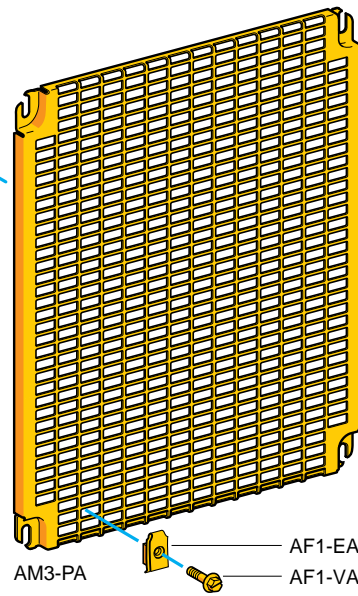
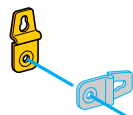


ACM-●●



AE3-VP2●4

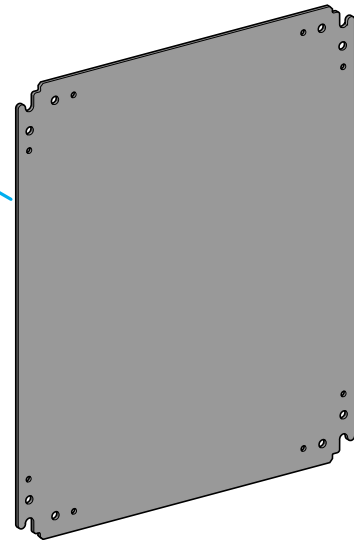
AE3-VP2●●



AM3-PA

AF1-EA

AF1-VA



AM3-PG

AF1-CF

AM1-ED

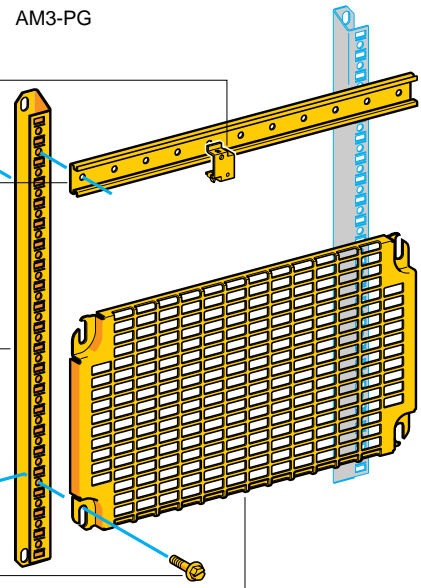
AM3-MU

DZ5-MF

AF1-EA

AF1-VA

AM3-PA36, PA38



| Equipment mounting plates (for mounting in empty enclosures) | | | | | |
|--|--|--------------------------------------|-----------|-----------------------------------|-----------|
| Empty enclosure | | Telequick pre-slotted mounting plate | | Solid mounting plate (galvanised) | |
| Reference | | Reference | Weight kg | Reference | Weight kg |
| ACM- v V32515 | | AM3-PA325 | 0.390 | AM3-PG325 | 0.800 |
| ACM- v V42515 | | AM3-PA425 | 0.520 | AM3-PG425 | 1.090 |
| ACM- v V432 | | AM3-PA43 | 0.720 | AM3-PG43 | 1.360 |
| ACM- v V442 | | AM3-PA44 | 0.980 | AM3-PG44 | 1.900 |
| ACM- v V532 | | AM3-PA53 | 0.930 | AM3-PG53 | 1.750 |
| ACM- v V542 | | AM3-PA54 | 1.260 | AM3-PG54 | 2.500 |
| ACM- v V5425 | | AM3-PA54 | 1.260 | AM3-PG54 | 2.500 |
| ACM- v V642 | | AM3-PA64 | 1.540 | AM3-PG64 | 3.000 |
| ACM- v V6425 | | AM3-PA64 | 1.540 | AM3-PG64 | 3.000 |
| ACM- v V6525 | | AM3-PA65 | 1.940 | AM3-PG65 | 3.860 |
| ACM- v V663 | | AM3-PA66 | 2.350 | AM3-PG66 | 4.710 |
| ACM- v V7525 | | AM3-PA75 | 2.250 | AM3-PG75 | 4.560 |
| ACM- v V763 | | AM3-PA76 | 2.710 | AM3-PG76 | 5.570 |
| ACM- v V862 | | AM3-PA86 | 3.130 | AM3-PG86 | 9.650 |
| ACM- v V863 | | AM3-PA86 | 3.130 | AM3-PG86 | 9.650 |
| ACM- v V883 | | AM3-PA88 | 3.980 | AM3-PG88 | 13.160 |
| ACM- v V973 | | AM3-PA97 | 3.900 | AM3-PG97 | 12.920 |
| ACM- v V1083 | | AM3-PA108 | 4.970 | AM3-PG108 | 16.670 |
| ACM- v V1084 | | AM3-PA108 | 4.970 | AM3-PG108 | 16.670 |
| ACM- v V1283 | | AM3-PA128 | 6.230 | AM3-PG128 | 17.500 |

| Pre-drilled uprights, mounting rails and strip mounting plates | | | | | | |
|--|----------------|------------|-------|-----------------|----------------|-----------|
| Description | Fixing centres | | | Sold in lots of | Unit reference | Weight kg |
| | Vertical | Horizontal | Depth | | | |
| | H mm | L mm | D mm | | | |
| Pre-drilled uprights | 325 | – | 30 | 2 | AM3-MU4 | 0.360 |
| | 425 | – | 30 | 2 | AM3-MU5 | 0.470 |
| | 525 | – | 30 | 2 | AM3-MU6 | 0.580 |
| | 625 | – | 30 | 2 | AM3-MU7 | 0.690 |
| | 725 | – | 30 | 2 | AM3-MU8 | 0.800 |
| | 825 | – | 30 | 2 | AM3-MU9 | 0.920 |
| | 925 | – | 30 | 2 | AM3-MU10 | 1.030 |
| | 1125 | – | 30 | 2 | AM3-MU12 | 1.250 |
| Combination rails (1) (thickness 1.5 mm) | – | 225 | 15 | 10 | AM1-ED021 | 0.210 |
| | – | 325 | 15 | 10 | AM1-ED031 | 0.310 |
| | – | 425 | 15 | 10 | AM1-ED041 | 0.390 |
| | – | 525 | 15 | 10 | AM1-ED051 | 0.480 |
| | – | 625 | 15 | 10 | AM1-ED061 | 0.580 |
| | – | 725 | 15 | 10 | AM1-ED071 | 0.670 |
| Strip mounting plates | 225 | 525 | – | 1 | AM3-PA36 | 1.135 |
| | | 725 | – | 1 | AM3-PA38 | 1.510 |

| Hardware (sold in lots of 100) | | | | | | | | |
|---|----------------|-----------|-------------------|-----------|--------------------|-----------|-------------------|-----------|
| Type | Clip nuts | | Sliding clip nuts | | Notched clamp nuts | | Associated screws | |
| | Unit reference | Weight kg | Unit reference | Weight kg | Unit reference | Weight kg | Unit reference | Weight kg |
| M3 | AF1-EA3 | 0.005 | AF1-CF34 | 0.010 | – | – | – | – |
| M4 | AF1-EA4 | 0.005 | AF1-CF34 | 0.010 | AF1-CG4 | 0.007 | AF1-VA410 (2) | 0.002 |
| | | | | | | | AF1-VA416 (2) | 0.002 |
| M5 | AF1-EA5 | 0.008 | AF1-CF56 | 0.010 | AF1-CG5 | 0.007 | AF1-VA512 (2) | 0.003 |
| | | | | | | | AF1-VA518 (2) | 0.004 |
| M6 | AF1-EA6 | 0.008 | AF1-CF56 | 0.010 | DZ5-MF6 | 0.007 | AF1-VA612 (2) | 0.005 |
| | | | | | AF1-CG6 | 0.007 | AF1-VA618 (2) | 0.006 |
| Self-piercing screw with hexagon head M4.8 x 16 | | | | | | | AF1-VT516 | 0.003 |
| Self-tapping screw Pozidrive TCBL M6 x 10 | | | | | | | TA1-ZL02 | 0.003 |

(1) For other mounting rails see page 13300/6.

(2) Screw with captive washer and slotted hexagon head.