

KXG-00EA3

KXG-00JA

KXG-00EA3

KXG-00CP21

KXG-00AP20

KXG-00FA

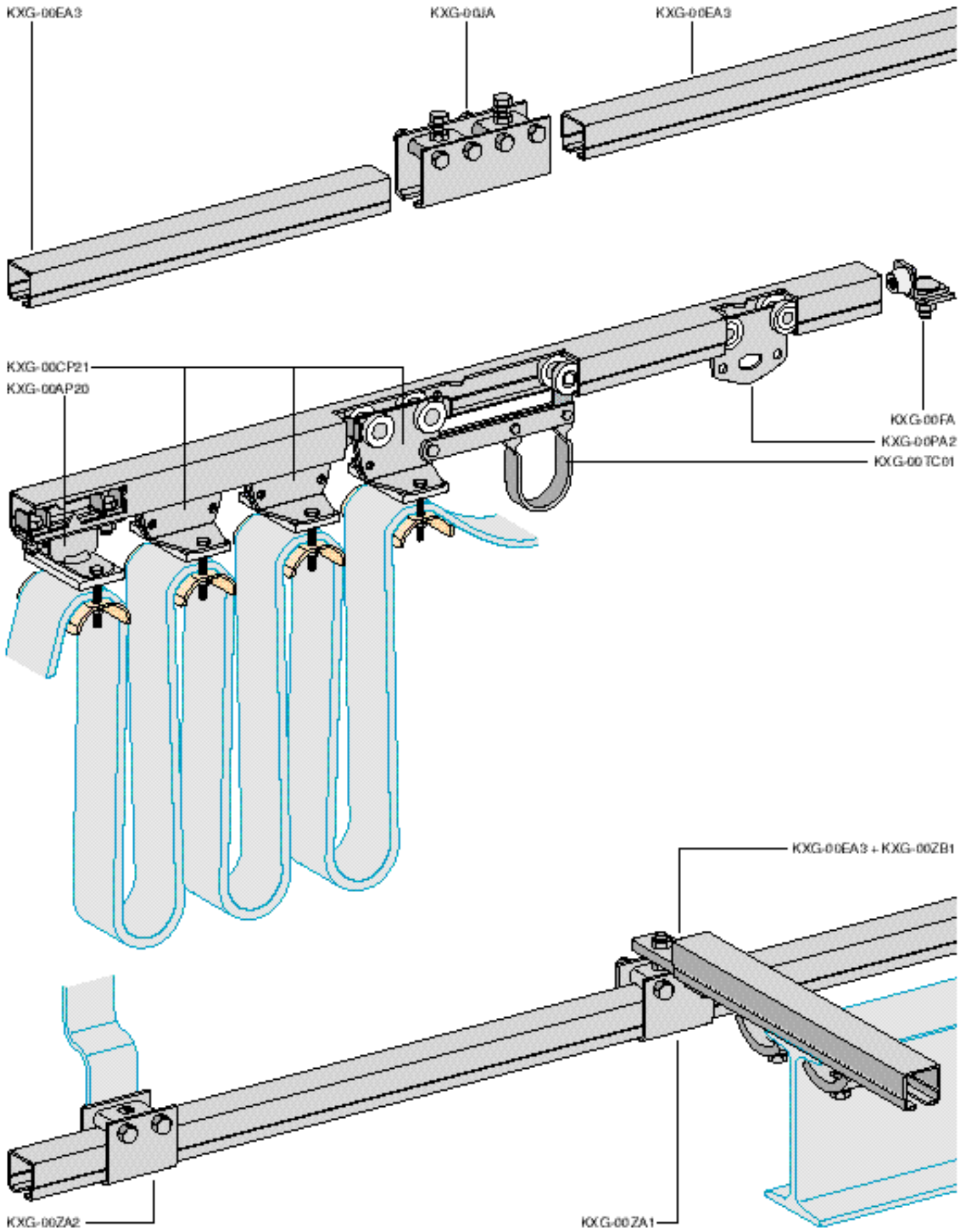
KXG-00PA2

KXG-00TC01

KXG-00EA3 + KXG-00ZB1

KXG-00ZA2

KXG-00ZA1



Mounting rails

Description	Reference	Weight kg
Gantry mounting rail (length 3 m)	KXG-00EA3	4.560
Mechanical linkage	KXG-00JA	0.543

Accessories

Cable blocking devices

Type of cable	Number of cables	Mounting	Reference	Weight kg
Flat	Stacking up to 15 mm	Fixed	KXG-00AP20	0.300
Round	1 or 2 cables Ø 10 to 28 mm	Oscillatory	KXG-00AR20	0.240
		Oscillatory	KXG-00AR30	0.260
	1 or 3 cables Ø 10 to 20 mm			

End stop

Mounted at end of run	KXG-00FA	0.090
-----------------------	-----------------	-------

Travel mechanisms

Connected to the last cable carrier	Plastic	KXG-00TC01	0.190
	With ball bearings	KXG-00TC02	0.215

Tool carriers

Maximum load 15 kg	With ball bearings	KXG-00PA2	0.160
--------------------	--------------------	------------------	-------

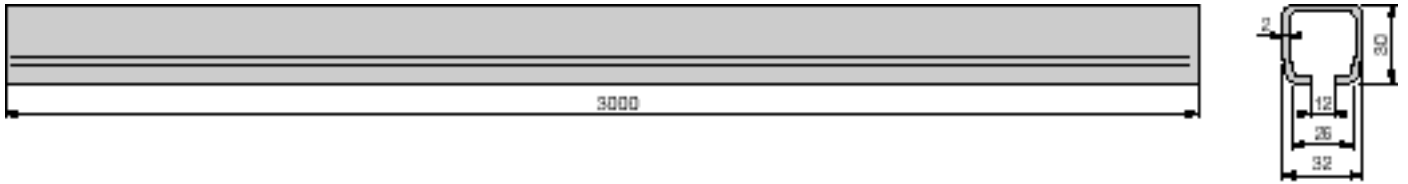
Cable carriers

Type of cable	Number of cables	Mounting	Kind of wheels	Reference	Weight kg
Flat	Stacking up to 15 mm	Fixed	Plastic	KXG-00CP21	0.600
			With ball bearings	KXG-00CP22	0.600
Round	1 cable Ø 10 to 28 mm	Oscillatory	Plastic	KXG-00CR11	0.360
			With ball bearings	KXG-00CR12	0.360
	2 cables Ø 10 to 28 mm	Oscillatory	Plastic	KXG-00CR21	0.220
			With ball bearings	KXG-00CR22	0.270
	3 cables Ø 10 to 20 mm	Oscillatory	Plastic	KXG-00CR31	0.245
			With ball bearings	KXG-00CR32	0.290

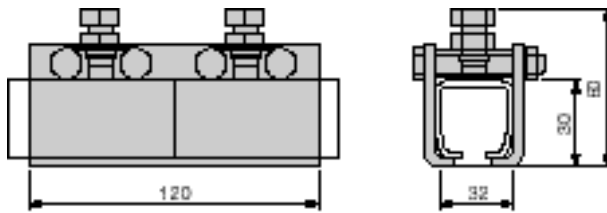
Fixing brackets

Adjustable suspension stirrup clamp KXG-00ZA1		0.324
Lateral fixing stirrup clamp		KXG-00ZA2 0.260
RSJ fixing kit	Mounting rail (length 3 m)	KXG-00EA3 4.560
	Additional brackets and screws	KXG-00ZB1 0.560

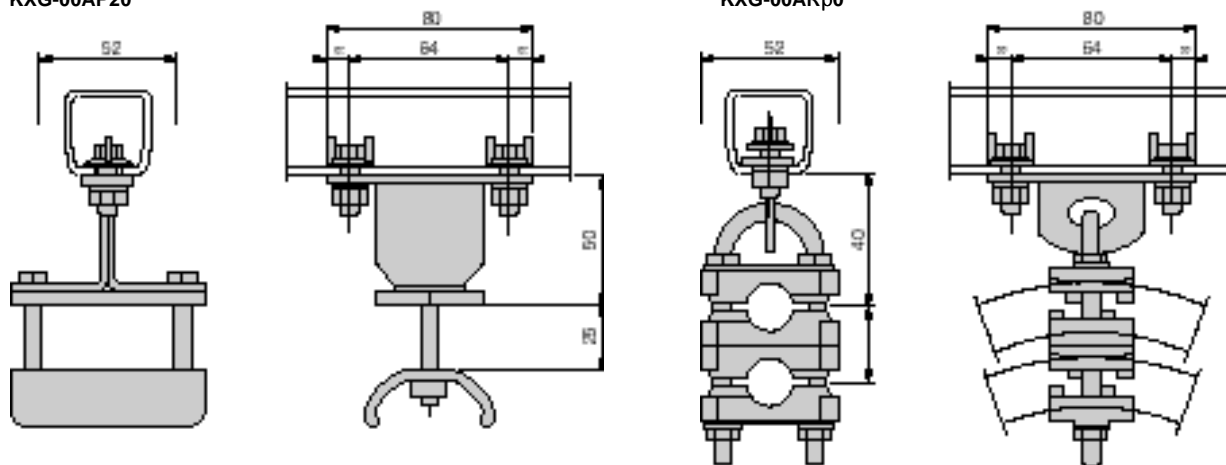
Mounting rail
KXG-00EA3



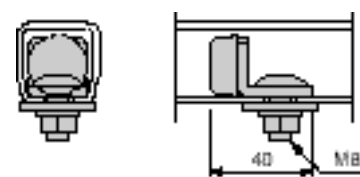
Mechanical linkage
KXG-00JA



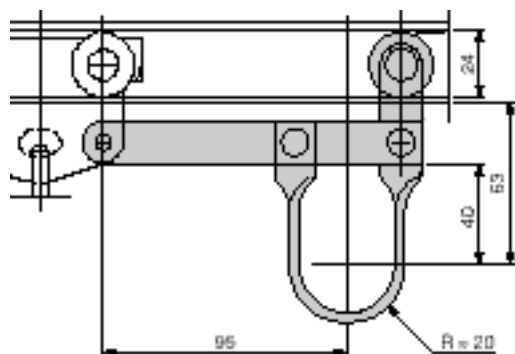
Cable anchors
KXG-00AP20



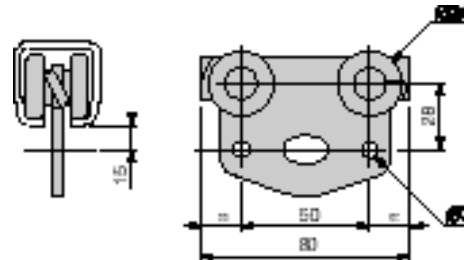
Stop
KXG-00FA



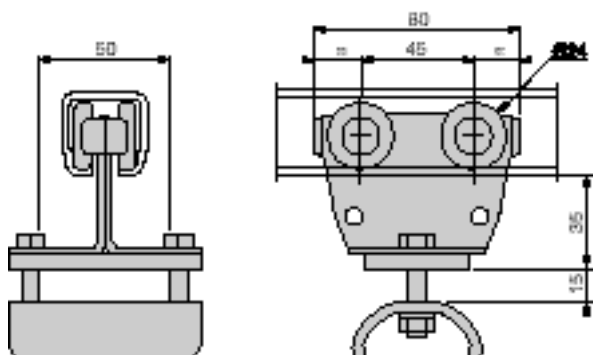
Travel mechanisms for tool carrier
KXG-00TC0p



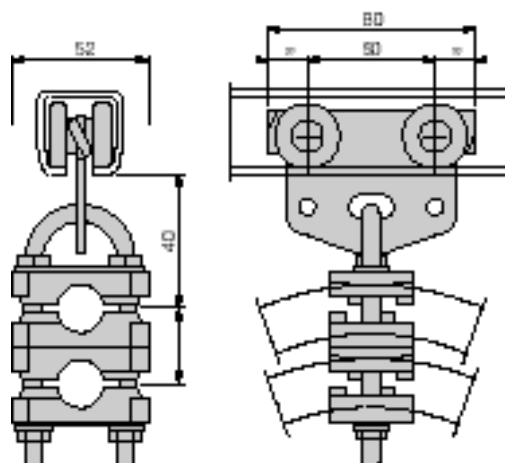
KXG-00PA2



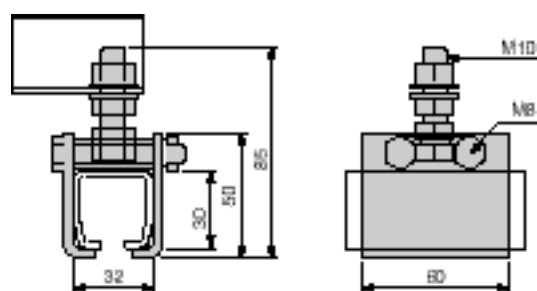
Cable carriers
KXG-00CP2p



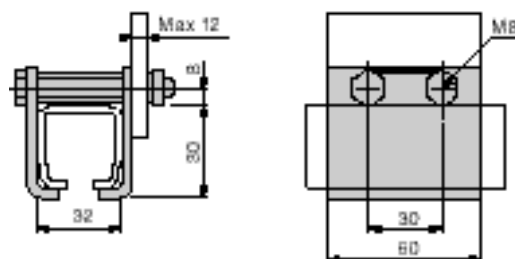
KXG-00CRpp



Fixing brackets
KXG-00ZA1



KXG-00ZA2



KXG-00EA3 + KXG-00ZB1

