

Mobile distribution

Canalis KXA busbar trunking (50 to 160A) with mobile connections

Standard straight lengths - For use in ambient temperatures between - 30 and + 40 °C

Rating A	Length m	Number of conductors	Reference	Weight kg
50	4	3L + PE	KXA-05EA34	8.000
		3L + N + PE	KXA-05EA44	8.400
60	4	3L + PE	KXA-06EA34	8.800
		3L + N + PE	KXA-06EA44	9.200
100	4	3L + PE	KXA-10EA34	10.400
		3L + N + PE	KXA-10EA44	11.200
120	4	3L + PE	KXA-12EA34	11.000
		3L + N + PE	KXA-12EA44	12.000
160	4	3L + PE	KXA-16EA34	12.800
		3L + N + PE	Please consult your Regional Sales Office	

Expansion lengths

Rating A	Length m	Number of conductors	Reference	Weight kg
50	2	3L + PE or 3L + N + PE	KXA-05GB42	5.850
60	2	3L + PE or 3L + N + PE	KXA-06GB42	6.200
100	2	3L + PE or 3L + N + PE	KXA-10GB42	7.600
120	2	3L + PE or 3L + N + PE	KXA-12GB42	8.000
160	2	3L + PE	KXA-16GB32	8.500
		3L + N + PE	Please consult your Regional Sales Office	

Feed units

Type	Rating A	Number of conductors	Reference	Weight kg
End feed	60 (50)	3L + PE or 3L + N + PE	KXA-06AA4	0.170
	100	3L + PE or 3L + N + PE	KXA-10AA4	0.190
	160 (120)	3L + PE or 3L + N + PE	Use centre feed units	
Centre feed	50	3L + PE or 3L + N + PE	KXA-05BT4	2.340
	60	3L + PE or 3L + N + PE	KXA-06BT4	2.540
	100	3L + PE or 3L + N + PE	KXA-10BT4	3.060
	120	3L + PE or 3L + N + PE	KXA-12BT4	3.470
	160	3L + PE	KXA-16BT3	5.100
		3L + N + PE	Please consult your Regional Sales Office	

End cover

End cover	All busbar trunking	KXA-16FA	0.090
------------------	---------------------	-----------------	-------

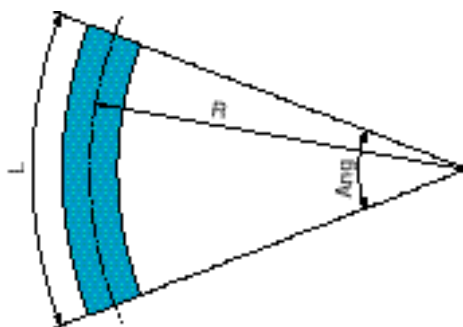
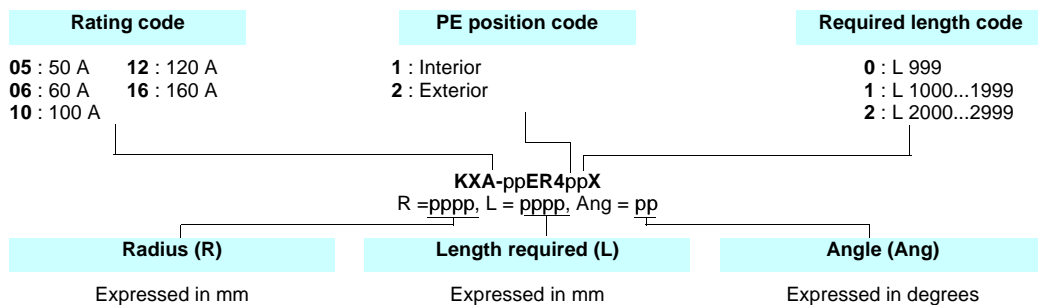
Fixing (common to all types of busbar trunking)

Description		Sold in lots of	Unit reference	Weight kg
Fixing for busbar trunking	Sliding busbar trunking	10	KXA-16ZA1	0.280
	Blocked busbar trunking	1	KXA-16ZA2	0.560
RSJ fixing kit (Mounting rail + flanges)	Mounting rail (length 3 m)	1	KXG-00EA3	4.560
	Additional flanges and screws for 1 fixing point	1	KXG-00ZB1	0.560

Mobile distribution

Canalis KXA busbar trunking (50 to 160 A) with mobile connections

Curved lengths common to 3L + PE and 3L + N + PE (Manufactured to your dimensions. Select your reference.)



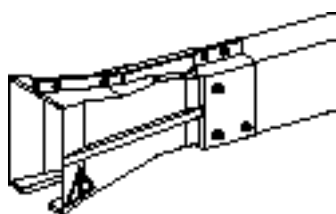
Radius (R)
KXA-05, 06 and 10 : min = 600 mm
KXA-12 and 16 : min = 1000 mm

Length required (L) :
Min = 600 mm, max = 3000 mm
Beyond this, provide two or more curved lengths

Angle (Ang) :
Max = 90°

Example : a curved trunking length, rating 60 A, 3L + N + PE interior, radius 2.5 m, angle 60° will have the reference : **KXA-06ER412X**, R = 2500, L = 2618, Ang = 60°.

Entry (or exit) of mobile connections common to 3L + PE and 3L + N + PE



KXA-05ET412

Rating A	Length m	Mounting	Number of conductors	Reference	Weight (1) kg
50	1	Right	3P + N + PE	KXA-05ET411	2.400
		Left	3P + N + PE	KXA-05ET412	2.400
60	1	Right	3P + N + PE	KXA-06ET411	2.700
		Left	3P + N + PE	KXA-06ET412	2.700
100	1	Right	3P + N + PE	KXA-10ET411	3.250
		Left	3P + N + PE	KXA-10ET412	3.250
120	1	Right	3P + N + PE	KXA-12ET411	3.900
		Left	3P + N + PE	KXA-12ET412	3.900
160	1	Right	3P + PE	KXA-16ET311	3.800
		Left	3P + PE	KXA-16ET312	4.000

Separate and spare parts

For	Description	Rating A	Reference	Weight kg
Straight length and KXA mechanical coupling sleeve	Electric fish-plates and mechanical coupling sleeve	60 (50)	KXA-06JB4	0.220
		100	KXA-10JB4	0.230
		120	KXA-12JB4	0.400
		160	KXA-16JB3	0.420

Adhesive label for reforming sawn straight lengths **KXA-16EE** 0.010

(1) Average weight.

Mobile distribution

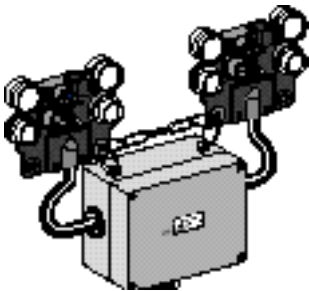
Canalis KXA busbar trunking (50 to 160 A) with mobile connections

Mobile connections

Rating	Type of mobile connection and equipment	Number of conductors	Reference	Weight
A				kg
25	Single connection Pre-wired on H07RNF Cross-section 2.5 mm ² Length 2 m	3P + PE	KXA-02CB32	0.640
		3P + N + PE	KXA-02CB42	0.690
40	Single connection Pre-wired on H07RNF Cross-section 4 mm ² Length 2 m	3P + PE	KXA-04CB32	0.690
		3P + N + PE	KXA-04CB42	0.720
50	Double connection With terminal box	3P + PE	KXA-05CB32	1.570
		3P + N + PE	KXA-05CB42	1.670
80	Double connection With terminal box	3P + PE	KXA-08CB32	1.750
		3P + N + PE	KXA-08CB42	1.900



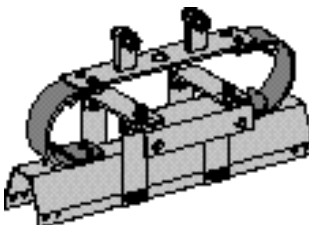
KXA-02CB32



KXA-05CB32



KXA-16ED11



KXA-16ED21

Travel mechanisms

Description	For mobile connections	Reference	Weight
	A		kg
Chain travel mechanisms	25 and 40	KXA-16ED11	0.450
	50 and 80	KXA-16ED12	0.650
Spring mounted travel mechanisms For installation with automatic entry/exit of run (diversion, etc)	25 and 40	KXA-16ED21	1.100
	50 and 80	KXA-16ED22	1.900
Set of wipe contacts Phase/Neutral/PE for mobile connections	25	KXA-02LP	0.070
	40	KXA-04LP	0.095
	50	Use 2 x KXA-02LP	2 x 0.070
	80	Use 2 x KXA-04LP	2 x 0.095

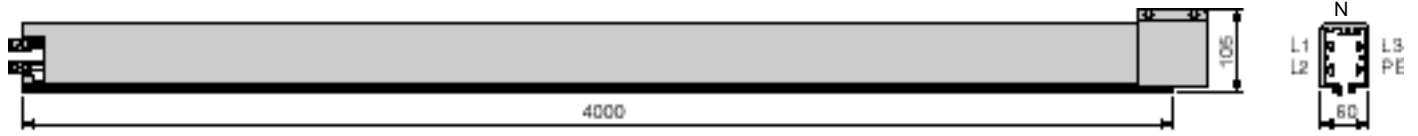
Other versions :

120 A mobile connections :
Please consult your Regional Sales Office.

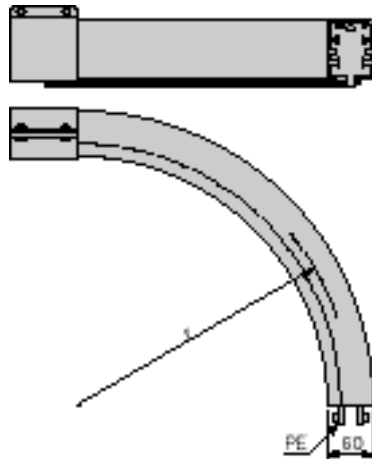
Mobile distribution

Canalis KXA busbar trunking (50 to 160 A) with mobile connections

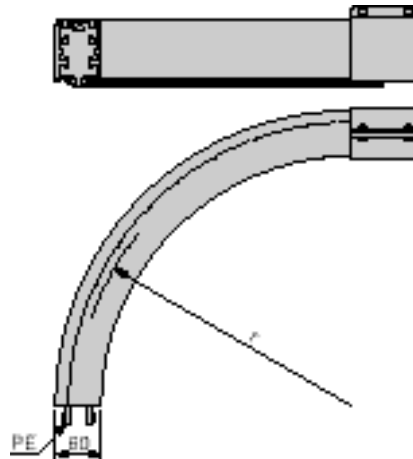
Straight lengths KXA-ppEApp



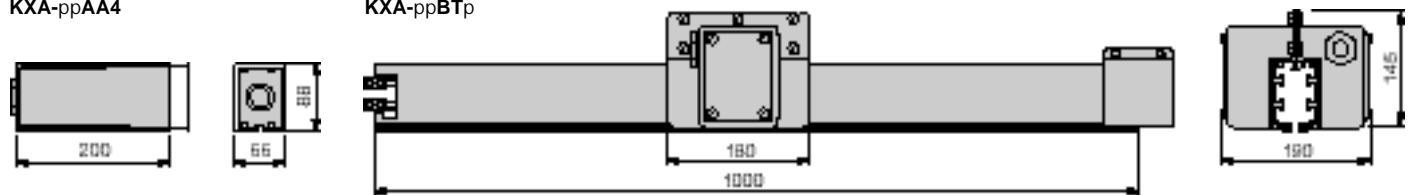
Curved lengths KXA-ppER41pX



KXA-ppER42pX



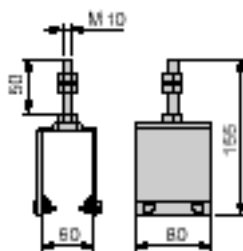
Feed units KXA-ppAA4



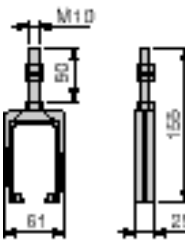
End cover KXA-16FA



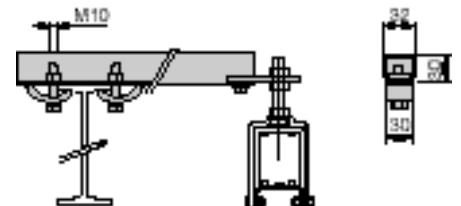
Fixing brackets KXA-16ZA2



KXA-16ZA1



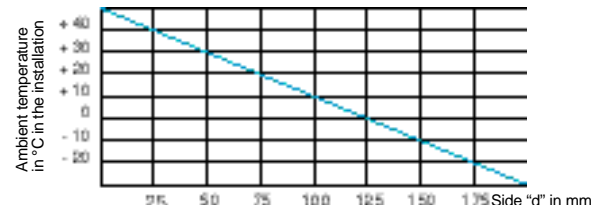
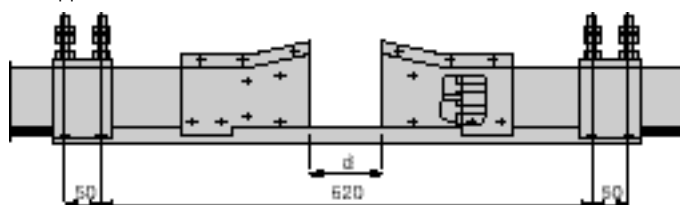
KXG-00EA3 + KXG-00ZB1



Trunking accessories KXA-ppET41p



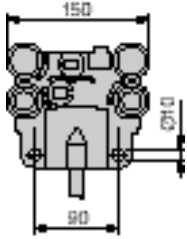
KXA-ppGB42



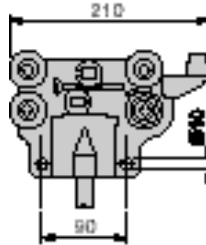
Mobile distribution

Canalis KXA busbar trunking (50 to 160 A) with mobile connections

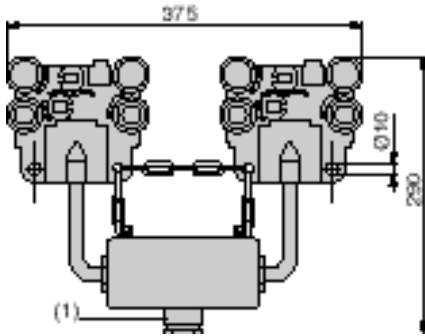
Single mobile connections
KXA-02CBp2



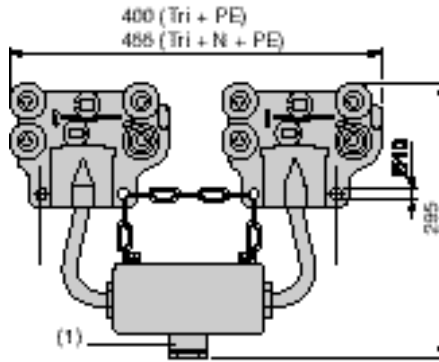
KXA-04CBp2



Double mobile connections
KXA-05CBp2

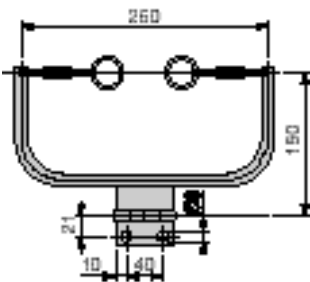


KXA-08CBp2

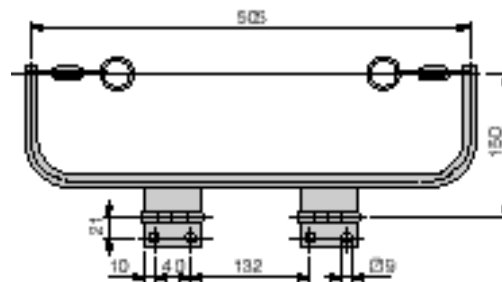


(1) Cable gland 29P

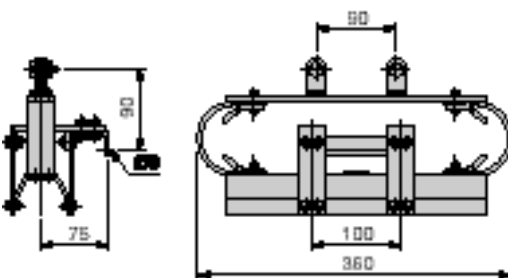
Chain travel mechanisms
KXA-16ED11



KXA-16ED12



Spring mounted travel mechanisms
KXA-16ED21



KXA-16ED22

