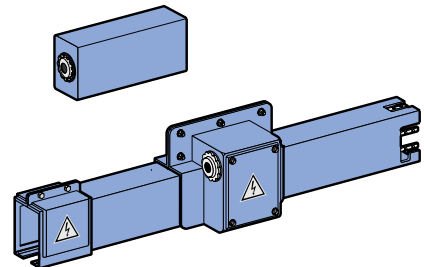
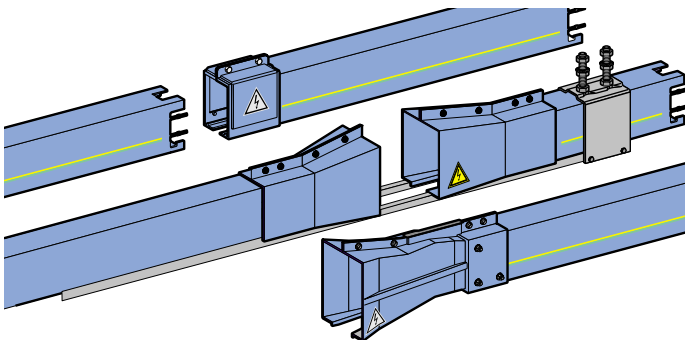
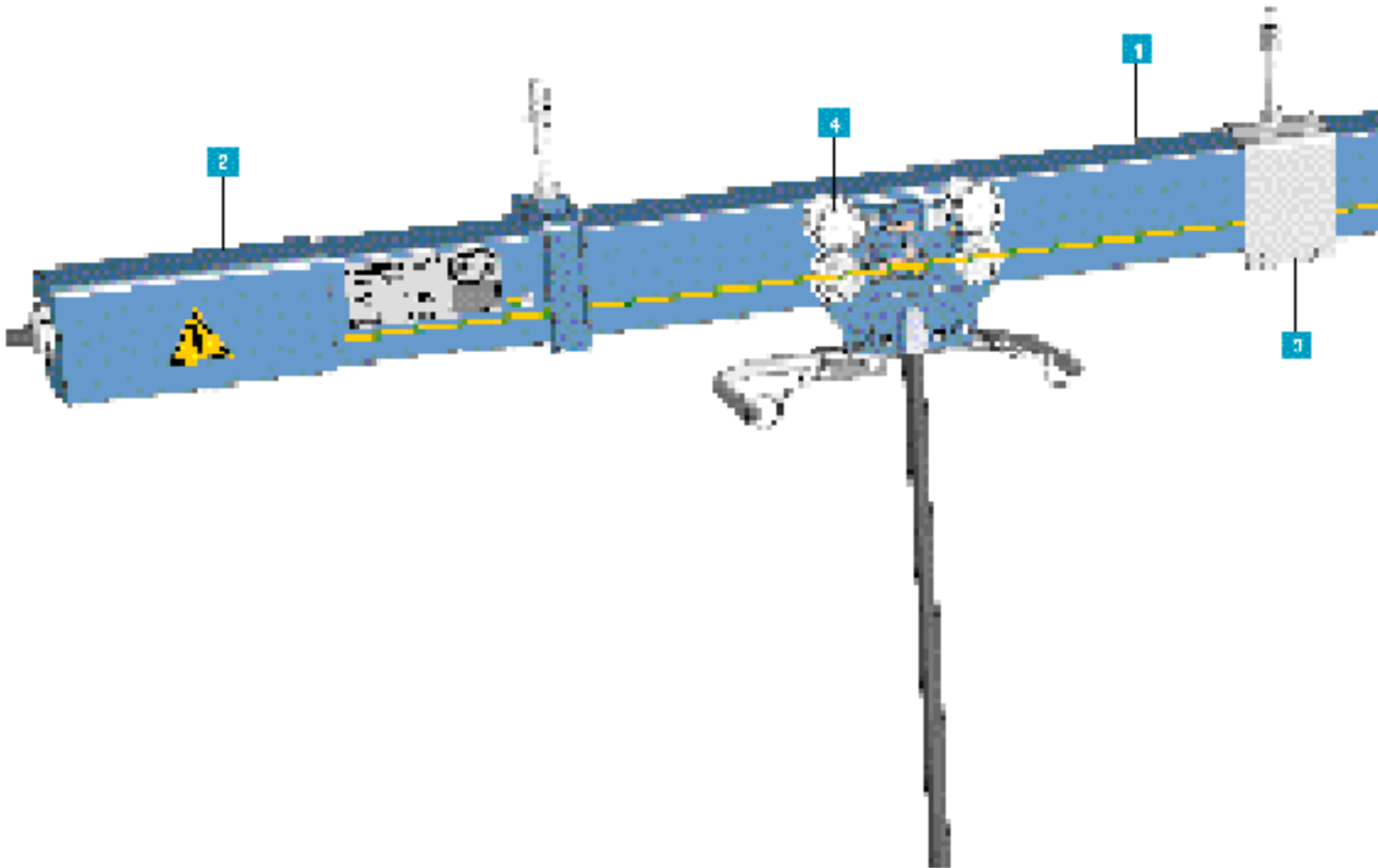
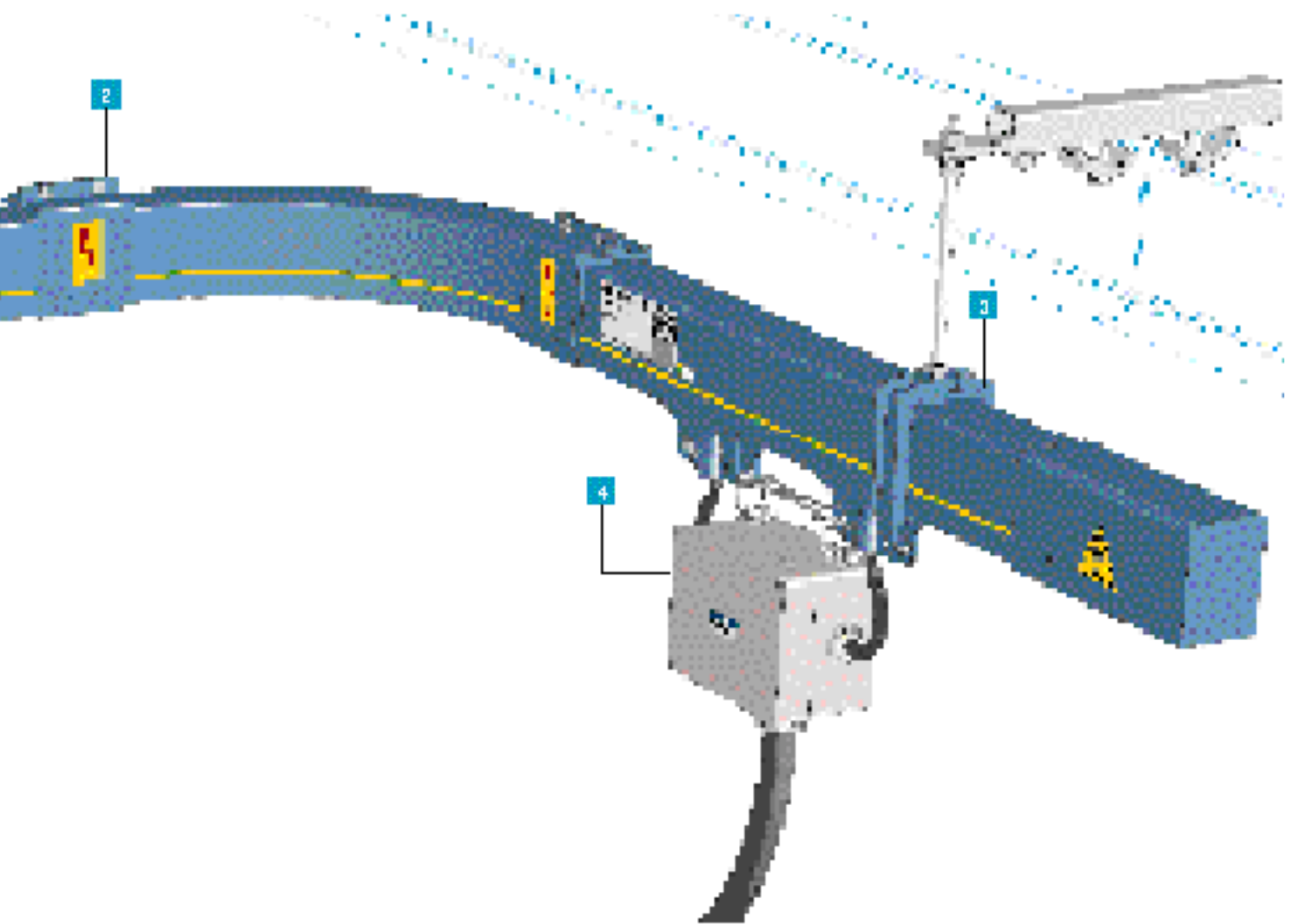


Mobile distribution

Canalis KXA (50 to 160 A) with mobile connections
To feed electrical power to hoisting and packing machines,
mobile
automatic machines, etc. via mobile connections





Single connections : 25 and 40 A.
Dual connections : 50 and 80 A.

