

SpaceLogic Room Units

Temperature Sensors – Analog



Note: A subset of models shown.

Product Description

The SpaceLogic SLA Series of temperature sensors for living space is for use with BAS controllers which use 4 to 20mA, 0 to 5Vdc, 0 to 10Vdc or 10K Type 3 thermistors. Housings are available in Medium matte white and Optimum faces in black and white. All housing types are available with three user interface options: touchscreen, LCD with three buttons and blank. Touchscreen and LCD models provide 4 to 20mA, 0 to 5Vdc and 0 to 10Vdc outputs. Blank models provide a low-cost resistive output with a 10K Type 3 thermistor.

Features

- Medium matte white housing or optimum glass panel housing available in white or black
- Temperature output on all models
- 61 mm (2.4") backlit color touchscreen and LCD, three button display options available
 - Digital temperature indication (0.1° display resolution of °F or °C)
 - Selectable temp or fan speed setpoint (0-10V)
 - Configurable screen/button lock and display timeout
 - Override
- Selectable 4 to 20mA, 0 to 5V and 0 to 10V analog outputs
- 18-24 AWG screw terminals

Available Products

Model Number	Housing	User Interface	Temperature Sensor
SLAWTXX	Optimum White	Touchscreen	Temperature Transmitter
SLAWLXX	Optimum White	LCD / 3 Buttons	Temperature Transmitter
SLAWXXX	Optimum White	Blank	10K Type 3 Thermistor
SLABTXX	Optimum Black	Touchscreen	Temperature Transmitter
SLABLXX	Optimum Black	LCD / 3 Buttons	Temperature Transmitter
SLABXXX	Optimum Black	Blank	10K Type 3 Thermistor
SLASTXX	Medium White	Touchscreen	Temperature Transmitter
SLASLXX	Medium White	LCD / 3 Buttons	Temperature Transmitter
SLASXXX	Medium White	Blank	10K Type 3 Thermistor

USA: +1 888-444-1311
 Europe: +46 10 478 2000
 Asia: +65 6484 7877
www.schneider-electric.com

Life Is On

Schneider
Electric

Specifications

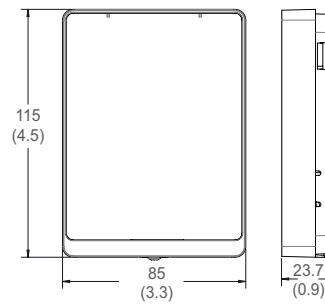
Operating Environment	
Input power	Class 2; 20 to 30 Vdc, 24 Vac, 50 to 60 Hz
Analog output	Selectable 4 to 20 mA, 0 to 5 V, 0 to 10 V
Operating temp. range	0 to 50 °C (32 to 122 °F)
Operating humidity range	0 to 95% RH non-condensing
Housing material	High impact ABS plastic
Temperature Sensor	
Sensor type	Solid state, integrated circuit
Accuracy	±0.2 °C (±0.4 °F) typical
Resolution	0.1 °C (0.1 °F)
Range	0 to 50 °C (32 to 122 °F)
Display Models	
Touchscreen	61 mm (2.4 in), color, backlit, capacitive, 240x300px Setpoint: 0-10Vdc. Temperature or fan speed selectable* Timeout override: Display timeout* Lockout override: Touchscreen/button lockout*
LCD	52mm (2.05 in), segmented with 3 buttons Setpoint: 0-10Vdc. Temperature or fan speed selectable Timeout override: Display timeout* Lockout override: Touchscreen/button lockout*
Setpoints**	
Temperature setpoint	0 to 10V output Scale: 10 to 35 °C (50 to 95 °F) / 0 to 50 °C (32 to 122 °F)
Fan speed setpoint	0 to 10V output Off 0V, Low 3.3V, Med. 6.7V, High 10.0V
Wiring Terminals	
Terminal blocks	Screw terminals, 18-24 AWG
Screw terminal torque	0.2 N-m (2.0 in-lbF) max.
Regulatory Information	
Agency approvals	UL 916, European conformance CE: EN61000-6-2 EN61000-6-3 EN61000 Series - industrial immunity EN 61326-1 FCC Part 15 Class B, REACH, RoHS, Green Premium, RCM (Australia), ICES-003 (Canada)

* DIP switch selectable.

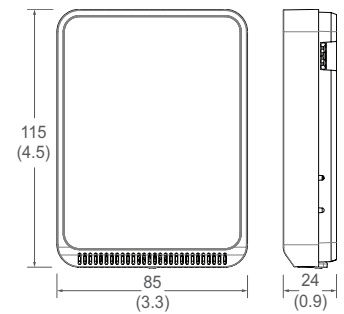
** One setpoint type is selectable via DIP switch on display models only.

Dimensions mm (in.)

Optimum Housing



Medium Housing



Housing Finishes



Optimum White



Optimum Black



Medium White

User Interface Types



Touchscreen



LCD with Buttons



Blank

USA: +1 888-444-1311
Europe: +46 10 478 2000
Asia: +65 6484 7877
www.schneider-electric.com

Life Is On

Schneider Electric