

# Product data sheet

## Characteristics

# EY56SWxxx

## Easy56™ Surface Switches

### Ordering Details

Catalogue Number	Description
EY56SW110	Switch 1 Pole 250V 10A
EY56SW120	Switch 1 Pole 250V 20A
EY56SW132	Switch 1 Pole 250V 32A
EY56SW320	Switch 3 Pole 500V 20A
EY56SW332	Switch 3 Pole 500V 32A



### Overview

The Easy56 surface switches by Schneider Electric have a modular 101mm<sup>2</sup> design.

This range is available from 250V, 10A to 500V, 32A.

All switches incorporate a positive rotary switch action and a provision in the switch knob for an 8mm padlock is also provided for locking OFF.

ON and OFF positions are clearly marked with raised lettering so they will never wear off.

Easy56 surface switches are also compatible with PDL 56 series accessories which provide further flexibility. This also means if other amperages or voltages are required, it is recommended to refer to the PDL 56 series range.

## Features

- Durable PVC bases with impact resistant polycarbonate covers
- OFF & ON marking is raised and product data is laser etched to ensure marking never wears off
- 101mm2 modular range
- IP66 Rated to IEC60529
- Padlocking facility (8mm) in OFF position
- Stainless Steel (316 grade) cover mounting screws

## Specifications

Voltage Rating	250V, 500V options
Current Rating	10A, 20A, 32A
Dimensions	101 mm x 101 mm x 101 mm
Product weight	471g
Ambient air temperature for operation	-25 to 75 degrees Celsius
IP Rating to IEC 60529	66
Standards	AS/NZS 3133

## Offer Sustainability

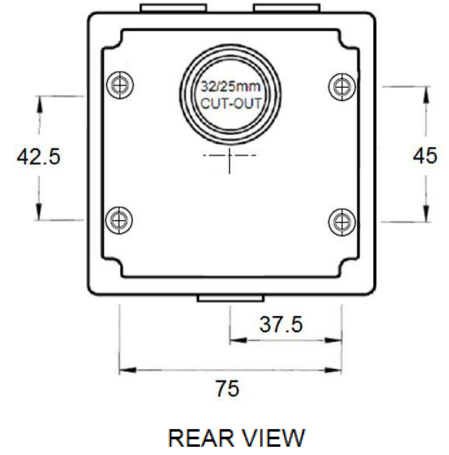
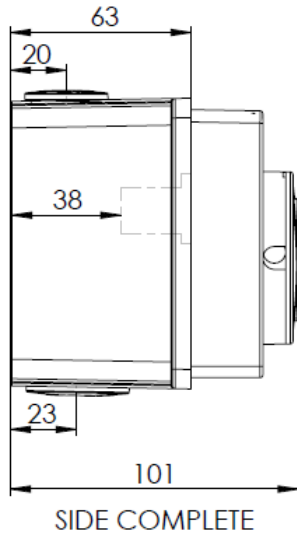
Sustainable offer status	Green Premium product
RoHS	Compliant
REACH	Compliant
Product environment profile	Available

## Applications

Commercial and Industrial environments both indoors and outdoors. Ideal where protection from dust, water, UV and impact is important.

# Dimensions

EY56SW110



EY56SW120  
EY56SW132  
EY56SW320  
EY56SW332

