



Wiser

Technical Catalogue



se.com

Life Is  | **Schneider**
Electric 

Celebrate every moment
created by you!



Wiser helps you redefine your comfort zone

Wiser offers intelligent integration of home control devices such as:

- Lighting and curtain control
- Heating, Ventilation, and Air Conditioning (HVAC) and floor heating control
- TV and AV equipment / split air conditioning control
- Motion, water leakage, door/window status, lux levels and temperature/humidity sensing

Wiser is an ideal partner for private homes, providing remote automation, control, and monitoring, using on-wall and behind-the-wall products. It provides a unique experience of smart control over many facets of residential life. With the Wiser by SE app, you are all set to embark on an enriching smart home journey.

Comfortable and user-friendly

Wiser is an intelligent home control solution offering a plethora of functions and makes daily life easier. With Wiser, the entire home can be controlled as usual with switches or through a mobile app. One or more functions such as HVAC, TV, VRF, or floor heating equipment control can be effortlessly achieved through a single tap or automatically.

If you want to have a most cost-effective solution without the Wiser Hub, you can also enjoy the lighting and curtain control by creating moments through E-mode commissioning for the freelocate.

Wiser Overview

Wiser becomes an indispensable part of your daily life offering you comfort, desired ambience and peace of mind at the tip of your fingers. The system can be customized as per individual needs. Quick and easy commissioning is possible via an app or a web interface.

Wiser by SE app

Voice control device



Connected homes

The commissioning of all Wiser devices is conducted through an easy-to-use interface - either through a web browser or the Wiser by SE app. All devices can be detected through the Zigbee network or by scanning the QR code. Up to 60 devices can be connected into one system.

Comfort

Create moments to set the temperature throughout your home by automating daily routines and triggers.

Ambience

Create ambience with mood-based light settings by switching and dimming lights to defined values. Control lighting individually or as a group with other devices, such as curtains and HVAC.

Peace of Mind

Investing on a Wiser system rewards you with peace of mind.

Your Wiser by SE app can be programmed to notify you of changes in your home. When water leaks, an alarm goes off and you receive a notification on your mobile device. The events history page displays information on temperature changes, opening and closing of windows/doors and motion detection.

These simple yet effective features create a secure and peaceful home environment.

Connectivity

Complete home control is established with a Wiser Hub that is connected to your internet router via ethernet or WiFi. The Wiser Hub connects to other Zigbee enabled devices. The following devices are certified to use the Zigbee 3.0 protocol for connectivity to the home automation network:

- Wiser Hub
- Switches
- Curtain Switches
- Dimmers
- Freelocates
- Sensors

The Zigbee® protocol is based on the IEEE 802.15.4 wireless personal area network standard. It works on a 2.4 Ghz frequency which can be used throughout the world, thus making the Wiser solution reliable and energy efficient

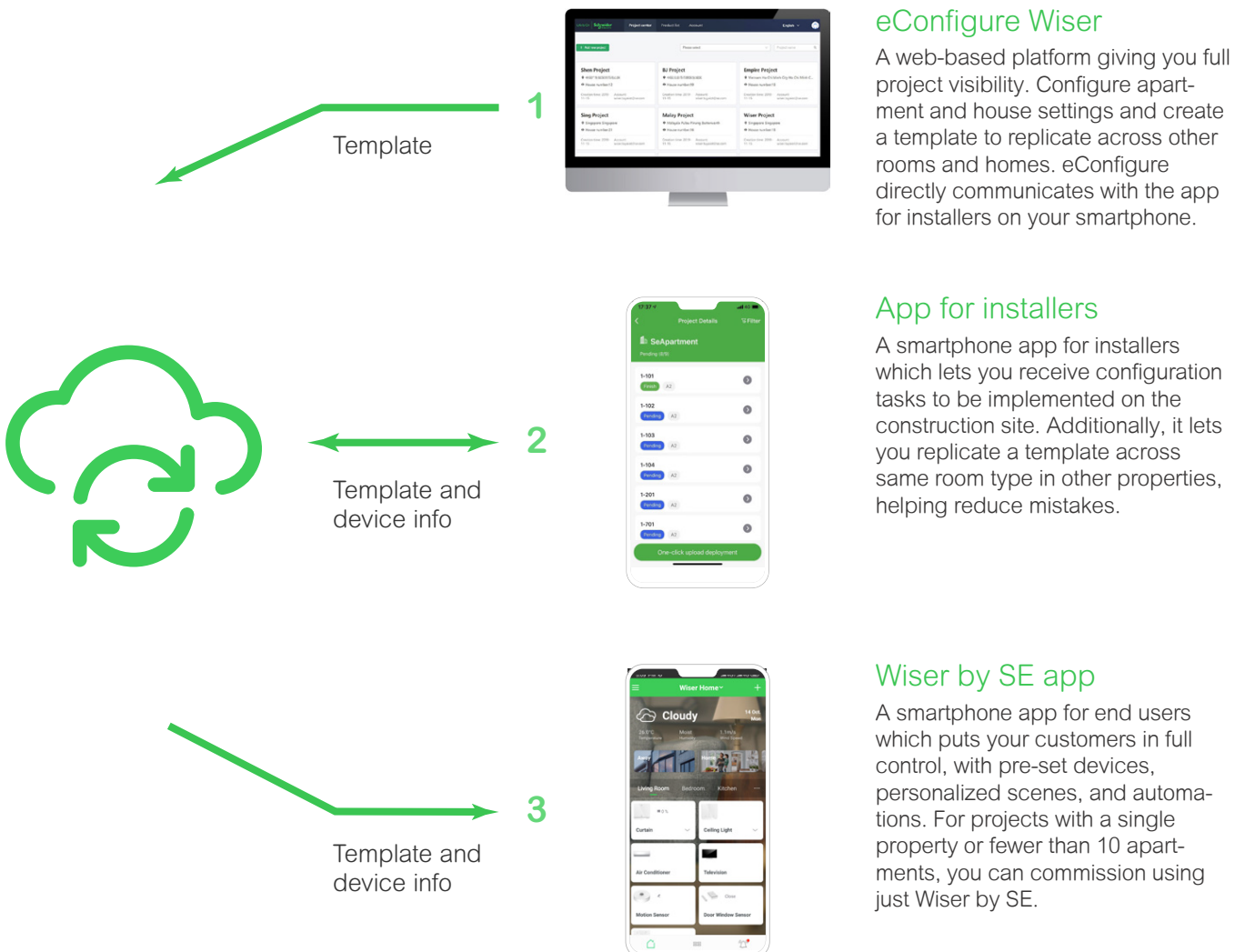


Configuration

Configuration made easy

Wiser is a single connected home system with a range of tools working seamlessly together. Programming and commissioning is made easy with the Wiser by SE app, the app for installers, and the eConfigure Wiser for system integrators.

The eConfigure Wiser is a web-based platform that allows you to efficiently manage project execution schedule, monitor the progress, and assign various configurations for the same room type. It ensures accuracy and ease in installation, thereby enabling time and cost savings.







Switch



Dimmer



Curtain switch



Freelocate

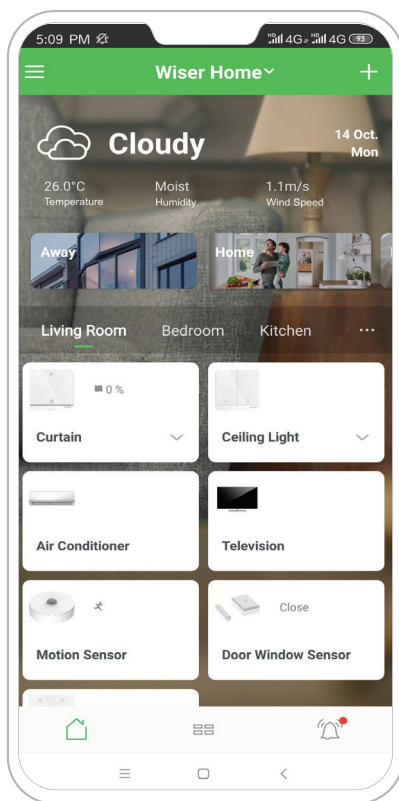
Design

- Improved appearance based on AvatarOn, offering a sophisticated unique glossy finished faceplate for switches, curtain switches, dimmers, and freelocates.
- Availability of the wall mounted switches and freelocates in White and Wine Gold colors.
- Dual color LED indicators can be customized to match the décor of your home.
- The backlight LEDs are dimmable and can be set to desired lumen levels, to improve the sleep quality.
- Improved LED performance with a 3-wired installation.
- Patented changeable icons on Freelocates.

Wiser by SE App

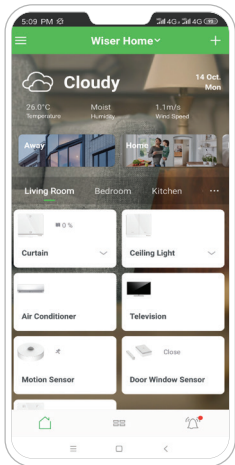
for Smart Home Control

Wiser by SE app enables integration of the entire home control system by easily adding and managing devices in your home. Intelligent home control has been this easy thanks to the Wiser by SE app.



Key Features

- Full control over a wide selection of devices in your home.
- Group your smart devices into “Rooms” to simplify the control over your home.
- Device pairing and set up in the app.
- Convenient status overview of connected devices.
- Manage your smart home even when you aren’t home.
- Combine Wiser device settings to create a room effect or adjust room comfort level using Moments.
- Set time-schedule based instructions to make your home respond to your everyday needs.
- Support remote firmware upgrade for the devices.
- Support voice control, works with Amazon Alexa, Google Assistant and Tmall Genie.
- Support push notification for critical information.



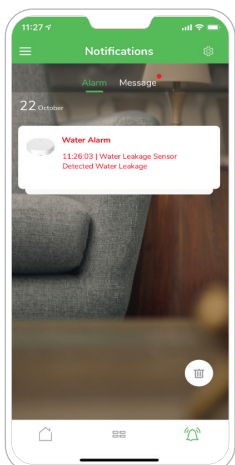
Simple User Interface

- An easy-to-understand user interface enables you to access and control all the devices.
- You can view the environmental information like weather, temperature, humidity and air quality on the home screen of the app.
- Easily access your favorite moment via the home screen.



Scenario

- The 'Automation' menu in the Wiser by SE app enables you to create multiple automations through intelligent combination of different processes, using 'if... then' logic. If the motion sensor detects nobody at home for half an hour, then turn off the AC.
- Set the AC to a desired temperature, close the curtains and dim the lights when the Movie time moment is triggered.
- Pre-defined moments can be triggered with a single tap on the home page of the Wiser by SE app.



Notifications

The Notifications page provides the list of:

- Alarms - displayed when a critical event has been detected that needs immediate action. For example, a device detects water leak in a particular room or a battery powered device is running out of battery power and so on.
- Messages - displayed when family-related messages are setup, a device has been removed or restored from or to the network, device settings are changed or when scenarios are triggered.

Wiser Hub

Wiser Hub is the master controller of all the light/curtain switches, dimmers, sensors, multifunction interface and IR converters in your smart home.

Commercial Reference	Description
CCT501900	Wiser Hub

Technical Information

Main

Range of product	Wiser
Product or component type	Zigbee to IP network hub
Device application	Connect Zigbee devices to IP network
Product colour	White

Complementary

Communication interface	Ethernet: IEEE802.3, 10/100 base-T (LAN) WLAN: 2.4 GHz, IEEE802.11 b/g/n Zigbee: 2.4 GHz, IEEE802.15.4 compliant
Power supply	5 VDC through Micro USB port (up to 1 A) 12 VDC through 2-pin terminal block (up to 0.5 A)
Connector type	Micro USB port 2-pin terminal block; Cable type: 16-24 AWG
LED indicator	White (3 LEDs)
System clock	RTC function with coin battery
Width	86 mm
Height	86 mm
Depth	34 mm

Environment

IP degree of protection	IP20
Ambient temperature for operation	0 °C to 40 °C
Relative humidity	10 to 90 %
Environmental characteristics	Indoor use

Certification

Standards	EN 60950-1, IEC 60950-1
Product certification	CE
Other certification	Zigbee 3.0

Offer Sustainability

Product environmental profile	Green Premium compliant
RoHS	Compliant with RoHS directive 2015/863/EU
REACH	Compliant with REACH directive 1907/2006/EC

Contractual warranty

Warranty period	1 year
-----------------	--------



Key Features

- Connectivity - ethernet (LAN) connection, WiFi and Zigbee 3.0
- Powered by - 5 VDC micro USB or 12 VDC 2-pin port
- System time is managed by a real-time clock powered by a coin battery
- User interface via the Wiser by SE app
- Wiser Hub can be installed in the following ways:
 - Placed on the desk/table
 - Hang on the wall
 - Mounted on a wallbox

Wiser Hub (continued)

Docking Kit

The Wiser ZB/IP Gateway Docking Kit for desk mount and is used as a holder for the Wiser Hub.

Commercial Reference	Description
CCT501400_0001	Wiser ZB/IP Gateway Docking Kit

Technical Information

Main	
Range of product	Wiser
Range compatability	Wiser Hub
Product or component type	Docking kit
Device application	Gateway holder
Product colour	White

Complementary

UV rating	UV resistant
Width	86 mm
Depth	54.4 mm
Height	86 mm

Environment

Ambient temperature for operation	-10 °C to 45 °C
Relative humidity	10 to 95 %
Environmental characterisitcs	Indoor use

Offer Sustainability

Product environmental profile	Green Premium compliant
RoHS	Compliant with RoHS directive 2015/863/EU
REACH	Compliant with REACH directive 1907/2006/EC

Contractual warranty

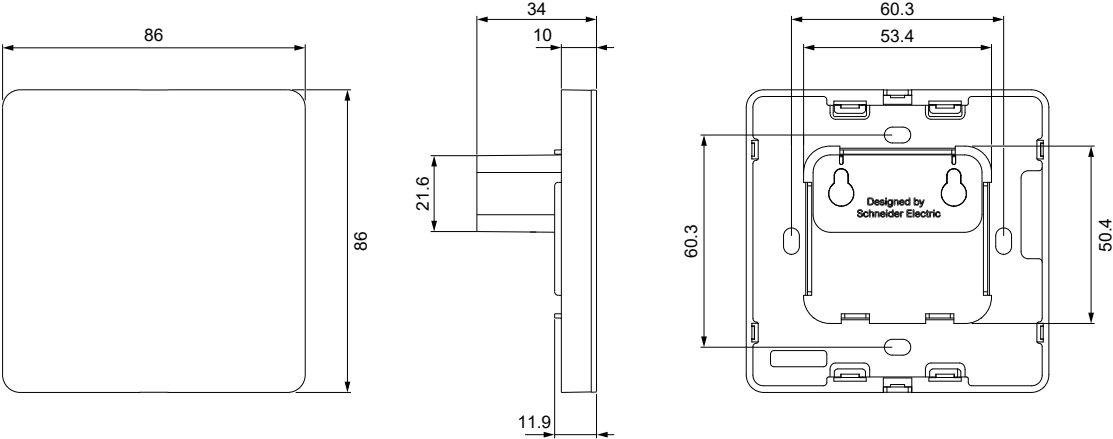
Warranty period	1 year
-----------------	--------



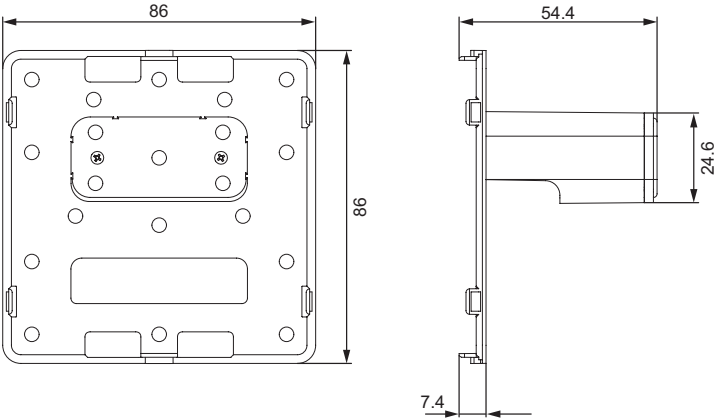
Wiser Hub (continued)

Dimensions (mm)

Gateway



Docking Kit





Wiser Multifunction Interface

Wiser Multifunction Interface controls the centralized HVAC and floor heating systems. It can be mounted on the DIN rail.

Commercial Reference	Description
CCT501402	Wiser Multifunction Interface

Technical Information

Main

Range of product	Wiser
Range compatability	Wiser Hub
Product or component type	Zigbee/RS485 Gateway
Device application	Zigbee/RS485 network interface
Product colour	White

Complementary

Communication interface	RS485 x 3 (through 2-pole screw terminals) RF mesh technology based on IEEE 802.15.4
Connector type	3 x 2-pin terminal block (for RS485) 1 x 2-pin terminal block (for external power supply) Supported wire: 12-30 AWG (0.06 - 3.3 mm ²)
Power supply	12/24 VDC, 100 mA
LED indicator	Green/Red/Orange (4 LEDs)
System clock	RTC function with coin battery
Width	46 mm
Height	76.9 mm
Depth	41 mm

Environment

IP degree of protection	IP20
Ambient temperature for operation	-10 °C to 45 °C
Relative humidity	10 to 90 %
Environmental characterisitcs	Indoor use

Certification

Standards	EN 60950-1, IEC 60950-1
Product certification	CE

Offer Sustainability

Product environmental profile	Green Premium compliant
RoHS	Compliant with RoHS directive 2015/863/EU
REACH	Compliant with REACH directive 1907/2006/EC

Contractual warranty

Warranty period	1 year
-----------------	--------

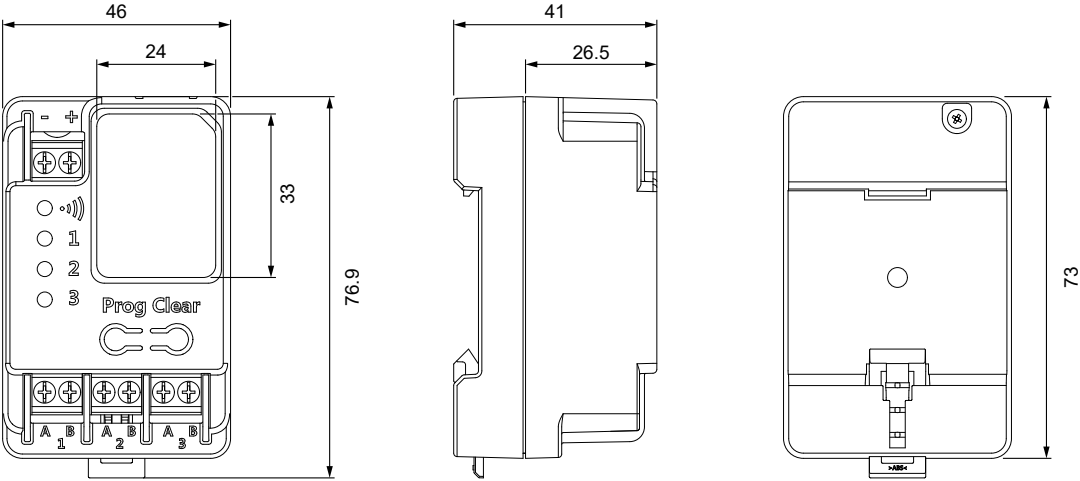


Key Features

- Powered by - 2-pin terminal block
- User interface via the Wiser by SE app and webpage

Wiser Multifunction Interface (continued)

Dimensions



Wiser 360Degree ZB/IR Convertor

Wiser 360Degree ZB/IR Convertor controls the TV, air conditioner, music system and other devices via the Wiser by SE app using the infrared (IR) technology. It can be mounted on the ceiling or placed on a table top.

Commercial Reference	Description
CCT501401	Wiser 360Degree ZB/IR Convertor

Technical Information

Main	
Range of product	Wiser
Range compatability	Wiser Hub
Product or component type	ZB/IR convertor
Device application	Converts mesh network signal to infrared signal
Product colour	White and black

Complementary

Power supply	5 VDC through Micro USB port (up to 1 A) or 4x AA Alkaline batteries
Connector type	Micro USB port for the AC adaptor Applicable for 3x 3.5 mm mono mini plug
Operating voltage for AC adaptor	100-220 VAC, 50/60 HZ
Battery type	4x AA Alkaline batteries
Battery life time	Approximately 1 year (battery life may vary according to usage type and environment)
LED indicator	Green/Orange/Red (2 LEDs)
Communication interface	RF mesh technology based on IEEE 802.15.4 Compliant with IEC825 IR emitter energy requirement
IR extension cable length	3 m (applies to the recommended IR extension cable)
IR control range with IR extension cable*	1 m from the IR emitter to IR controlled device.
IR control range without IR extension cable	≤8 m from Wiser 360Degree ZB/IR Convertor to IR controlled device
IR transmit vertical angle	180°
IR transmit horizontal angle	360°
Diameter	100 mm
Height	32.5 mm

Environment

IP degree of protection	IP20
Ambient temperature for operation	-10 °C to 45 °C
Relative humidity	10 to 90 %
Environmental characterisitcs	Indoor use

Certification

Standards	EN 60950-1, IEC 60950-1
Product certification	CE

* It is recommended to use Schneider Electric 8050LD or 8050/2LD IR extension cables.



Key Features

- Powered by - DC or battery
- Upgradable IR database
- 3 IR port to plug extendable IR emitter cable to control IR devices

Wiser 360Degree ZB/IR Convertor (continued)

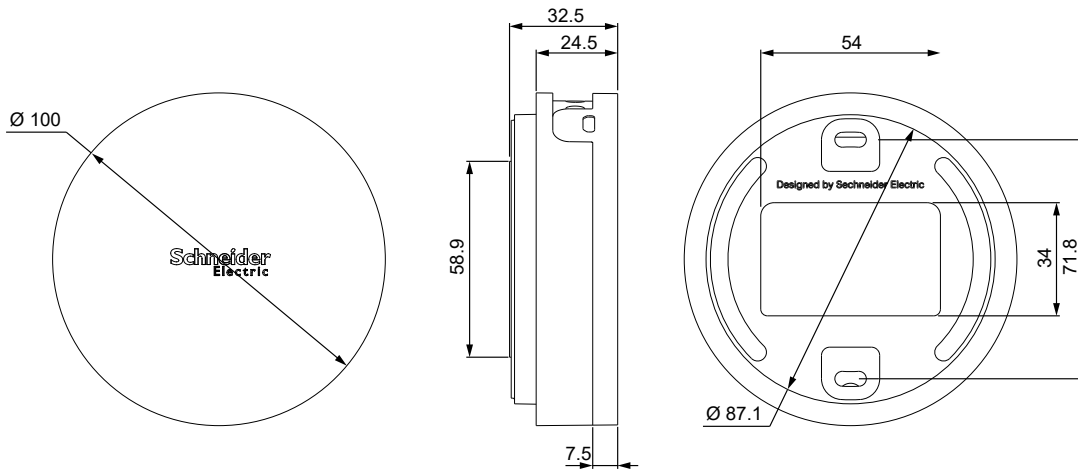
Offer Sustainability

Product environmental profile	Green Premium compliant
RoHS	Compliant with RoHS directive 2015/863/EU
REACH	Compliant with REACH directive 1907/2006/EC

Contractual warranty

Warranty period	1 year
-----------------	--------

Dimensions (mm)



Switches

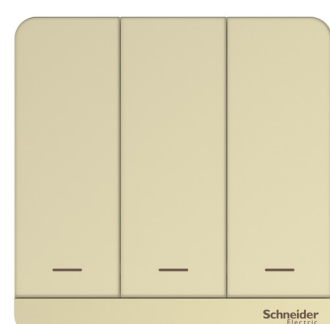
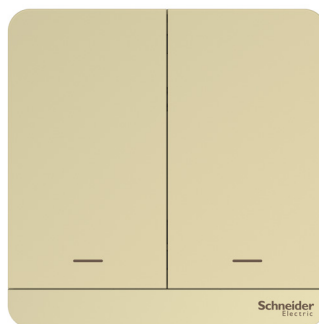
Switch on and off lights or other appliances by manually pressing the local control button or via the Wiser by SE app.

Wiser range of switches comprises of 1 Gang, 2 Gang and 3 Gang light switches with variants available in White and Wine Gold colors.

Commercial Reference	Description
E8331SR Y800ZB_WE	Wiser AvatarOn 1 Gang Switch, 800 W, White
E8331SR Y800ZB_WG	Wiser AvatarOn 1 Gang Switch, 800 W, Wine Gold
E8332SR Y800ZB_WE	Wiser AvatarOn 2 Gang Switch, 800 W, White
E8332SR Y800ZB_WG	Wiser AvatarOn 2 Gang Switch, 800 W, Wine Gold
E8333SR Y800ZB_WE	Wiser AvatarOn 3 Gang Switch, 800 W, White
E8333SR Y800ZB_WG	Wiser AvatarOn 3 Gang Switch, 800 W, Wine Gold

Key Features


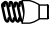




- Connectivity - Zigbee 3.0
- Sleek with a transparent dolly
- Dual color dimmable LED in white/blue Colors that can be configured on the device or via the Wiser by SE app.
- Glass touch switches with a flat impress
- Better LED performance with the 3-wired installation
- Ability to control multiple load types



Switches (continued)

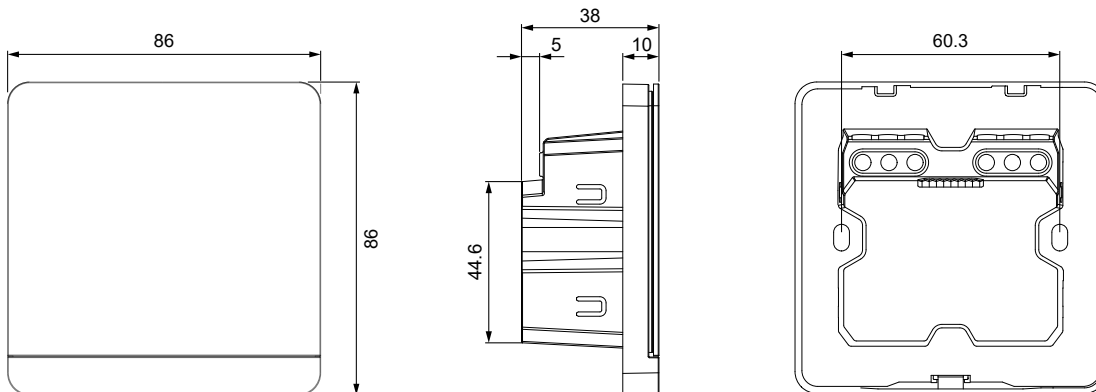
Technical Information	
Main	
Range of product	AvatarOn
Range compatability	Wiser Hub
Product or component type	Switch
Load type	Incandescent lamp, Halogen lamp, Fluorescent lamp, LED, Exhaust fan
Complementary	
Rated operational voltage	≤4.04 A, 220-240 VAC, 50/60 Hz ≤4.44 A, 100-120 VAC, 50/60 Hz
Device mounting	Flush mounting
Connector type	Brass terminal
Backlight indicator	White/Blue
Programming indicator	Green/Red/Orange
Number of cables	1 mm ² ...2.5 mm ² (13-18 AWG), solid or stranded types 1 x 2.5 mm ² , 2 x ≤ 1.5 mm ²
Communication	Zigbee: 2.4 GHz, IEEE802.15.4 compliant
Width	86 mm
Height	86 mm
Product depth	38 mm
Mounting depth	28 mm
Environment	
IP degree of protection	IP20
Ambient temperature for operation	-10 °C to 45 °C
Relative humidity	10 to 95 %
Environmental characterisitics	Indoor use
Operating altitude	≤ 2000 meters from the sea level
Certification	
Standards	EN 60669-2-5, IEC 60669-2-5
Product certification	CE
Other certification	Zigbee 3.0
Offer Sustainability	
Product environmental profile	Green Premium compliant
RoHS	Compliant with RoHS directive 2015/863/EU
REACH	Compliant with REACH directive 1907/2006/EC
Contractual warranty	
Warranty period	1 year

Switches (continued)

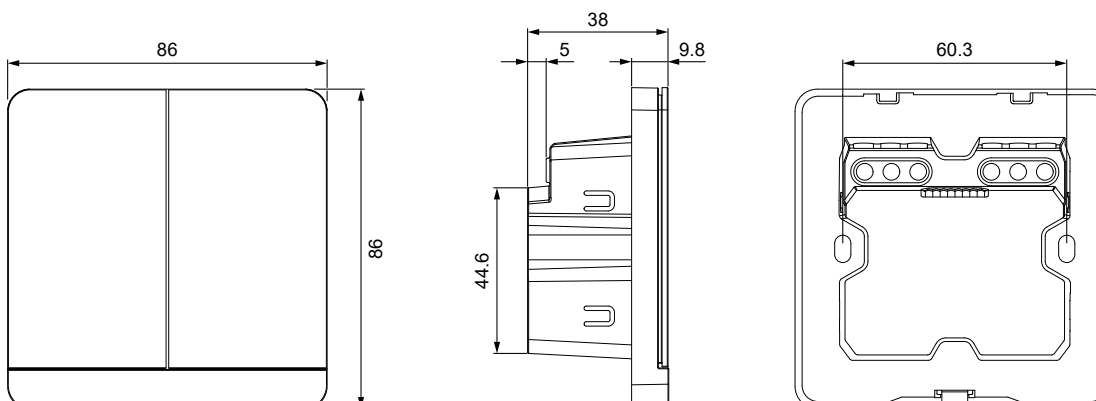
Power Rating						
Load type	100-120 VAC, 50/60 Hz			220-240 VAC, 50/60 Hz		
	1 Gang	2 Gang	3 Gang	1 Gang	2 Gang	3 Gang
 LED	100 W; PF = 0.6	150 W; PF = 0.6; Max 100 W/gang	150 W; PF = 0.6; Max 100 W/gang	200 W; PF = 0.6	300 W; PF = 0.6; Max 200 W/gang	300 W; PF = 0.6; Max 200 W/gang
	100 W	150 W, Max 100 W/gang	150 W, Max 100 W/gang	200 W	300 W; Max 200 W/gang	300 W; Max 200 W/gang
	100 W; PF = 0.6	400 W; PF = 0.6; Max 100 W/gang	150 W; PF = 0.6; Max 100 W/gang	200 W; PF = 0.6	300 W; PF = 0.6; Max 200 W/gang	300 W; PF = 0.6; Max 200 W/gang
	400 W	400 W; Max 400 W/gang	400 W; Max 400 W/gang	800 W	800 W; Max 800 W/gang	800 W; Max 800 W/gang
	300 W; PF = 0.9	300 W; PF = 0.9; Max 300 W/gang	300 W; PF = 0.9; Max 300 W/gang	600 W; PF = 0.9	600 W; PF = 0.9; Max 600 W/gang	600 W; PF = 0.9; Max 600 W/gang
	50 W; PF = 0.6	50 W; PF = 0.6; Max 50 W/gang	50 W; PF = 0.6; Max 50 W/gang	100 W; PF = 0.6	100 W; PF = 0.6; Max 100 W/gang	100 W; PF = 0.6; Max 50 W/gang

Dimensions (mm)

1 Gang

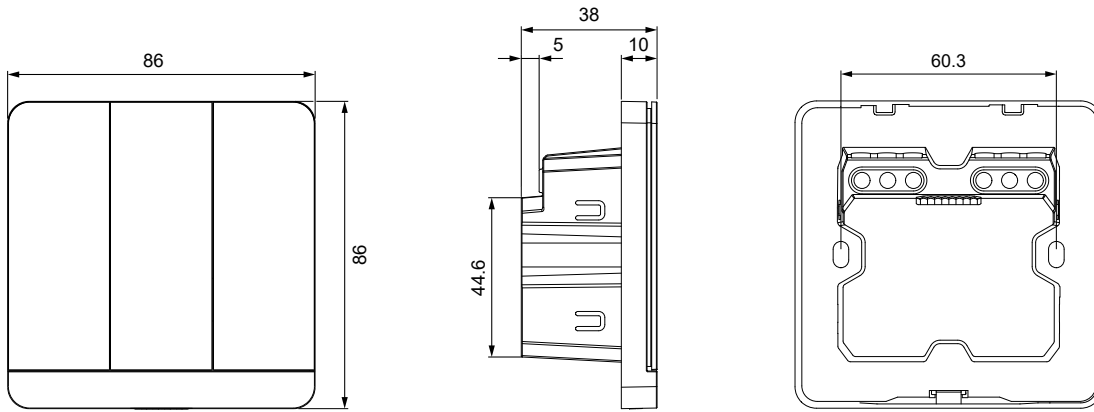


2 Gang



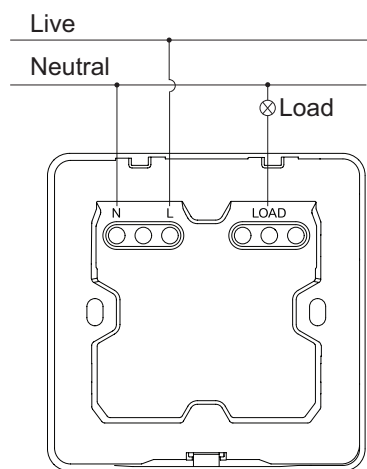
Switches (continued)

3 Gang

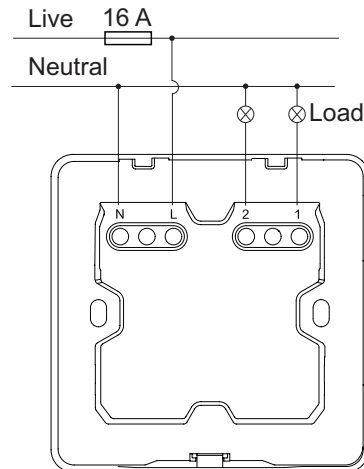


Wiring Diagrams

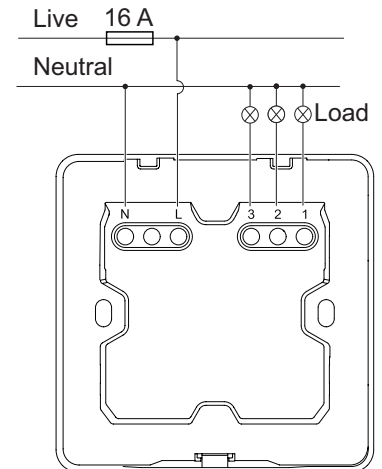
1 Gang



2 Gang



3 Gang



Curtain Switches

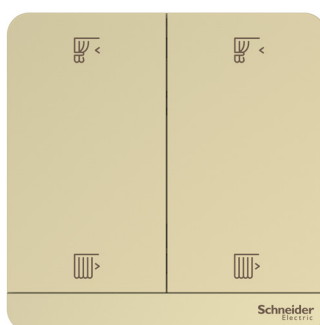
Open, stop, and close your curtains by manually pressing the local control button or via the Wiser by SE app.

Wiser range offers you 1 Gang and 2 Gang curtain switches with variants available in White and Wine Gold colors.

Commercial Reference	Description
E8331SCN200ZB_WE	Wiser AvatarOn 1 Gang Curtain Switch, 200 W, White
E8331SCN200ZB_WG	Wiser AvatarOn 1 Gang Curtain Switch, 200 W, Wine Gold
E8332SCN300ZB_WE	Wiser AvatarOn 2 Gang Curtain Switch, 300 W, White
E8332SCN300ZB_WG	Wiser AvatarOn 2 Gang Curtain Switch, 300 W, Wine Gold

Key Features

- Connectivity - Zigbee 3.0
- Sleek with a transparent dolly
- Dual color dimmable LED in White/Blue colors that can be configured on the device or via the Wiser by SE app.
- Glass touch switches with a flat impress
- Brightness of the backlight can be set via the Wiser by SE app
- Supports either AC or DC drive motor with separated mains terminal for operation of blinds.
- Efficient pulse motor control on configuration via Wiser by SE app.
- Run time can be configured via the Wiser by SE app.



Curtain Switches (continued)

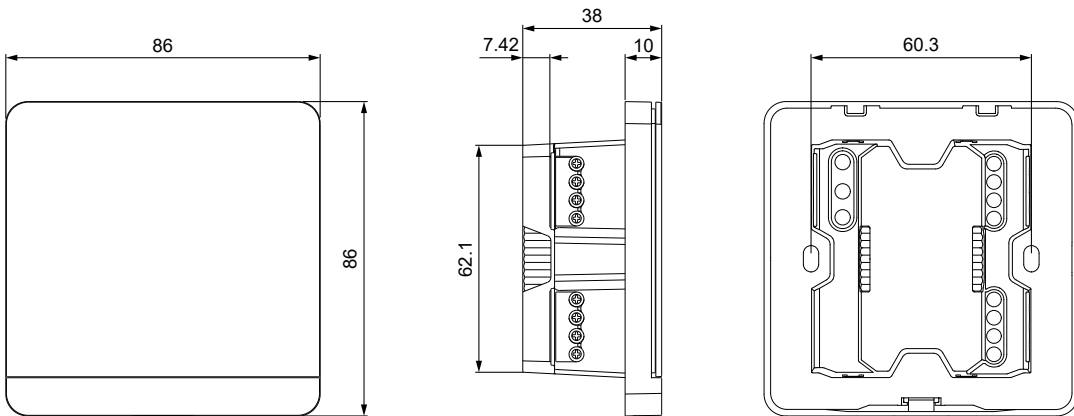
Technical Information	
Main	
Range of product	AvatarOn
Range compatability	Wiser Hub
Product or component type	Switch
Load type	Motorized devices
Complementary	
Rated operational voltage	220-240 VAC, 200 Watts 100-120 VAC, 100 Watts 48 VDC, 40 Watts
Device mounting	Flush mounting
Connector type	Brass terminal, Terminal block
Number of cables for brass terminal	1 mm ² -2.5 mm ² (13-18 AWG), solid or stranded types 1 x 2.5 mm ² , 2 x ≤ 1.5 mm ²
Number of cables for terminal block	0.5 mm ² -1.5 mm ² (14-28 AWG), solid or stranded types 1 x 1.5 mm ²
Communication	Zigbee: 2.4 GHz, IEEE802.15.4 compliant
Backlight indicator	White/Blue
Programming indicator	Green/Red/Orange
Distance between centers	60.3 mm
Width	86 mm
Height	86 mm
Product depth	38 mm
Mounting depth	28 mm
Environment	
IP degree of protection	IP20
Ambient temperature for operation	-10 to 45 °C
Relative humidity	10 to 95 %
Environmental characterisitcs	Indoor use
Operating altitude	≤ 2000 meters from the sea level
Certification	
Standards	EN 60669-2-5, IEC 60669-2-5
Product certification	CE
Other certification	Zigbee 3.0
Offer Sustainability	
Product environmental profile	Green Premium compliant
RoHS	Compliant with RoHS directive 2015/863/EU
REACH	Compliant with REACH directive 1907/2006/EC
Contractual warranty	
Warranty period	1 year

Curtain Switches (continued)

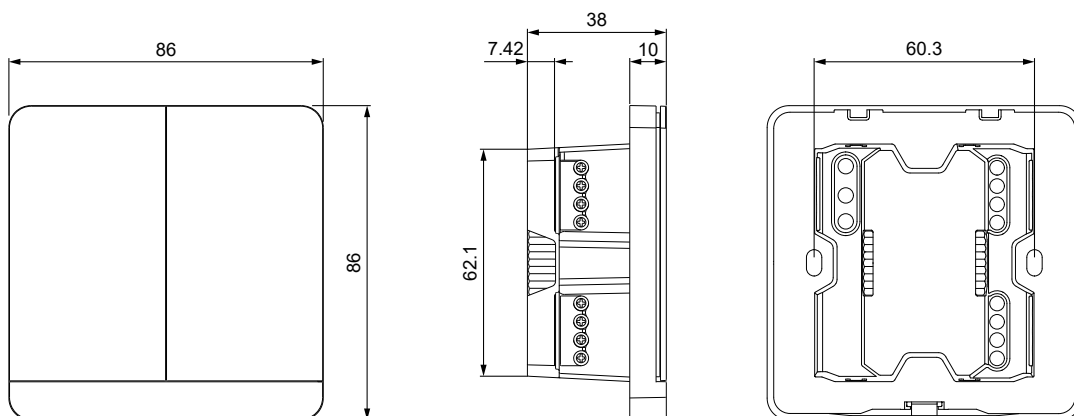
Power Rating						
Load type	48 VDC		100-120 VAC, 50/60 Hz		220-240 VAC, 50/60 Hz	
	1 Gang	2 Gang	1 Gang	2 Gang	1 Gang	2 Gang
(M)	40 W	70 W; Max 40 W/gang	100 W; PF = 0.6	150 W; PF = 0.6; Max 100 W/gang	200 W; PF = 0.6	300 W; PF = 0.6; Max 200 W/gang

Dimensions (mm)

1 Gang



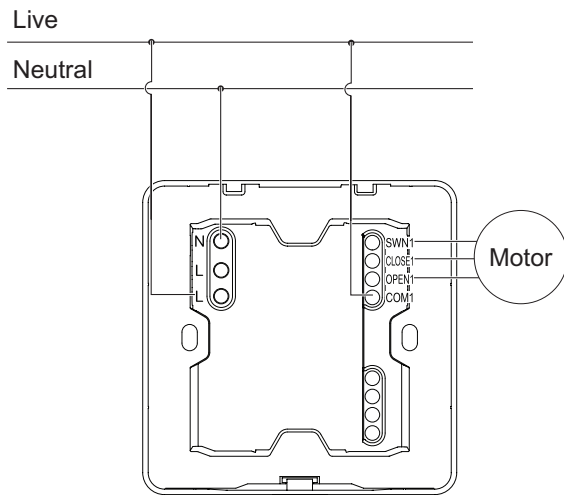
2 Gang



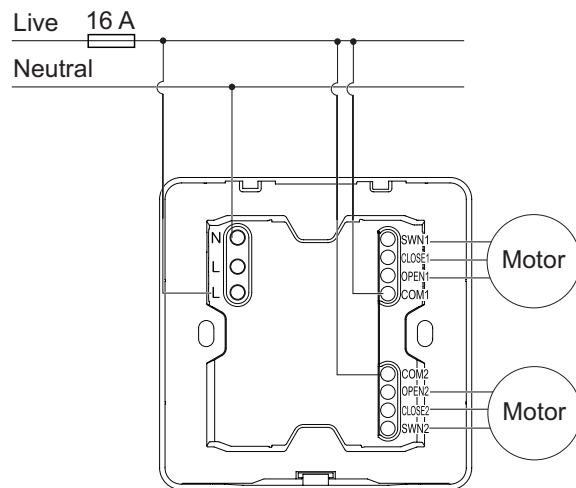
Curtain Switches (continued)

Wiring Diagrams

1 Gang



2 Gang



Dimmers

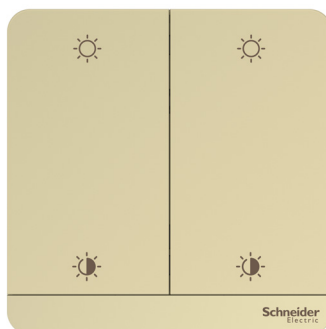
Adjust the light intensity for a perfect ambiance by pressing the local control button or via the Wiser by SE app.

Wiser range offers you 1 Gang and 2 Gang dimmers available in White and Wine Gold colors.

Commercial Reference	Description
E8331DST300ZB_WE	Wiser AvatarOn 1G Dimmer, 300 W, White
E8332DST350ZB_WE	Wiser AvatarOn 2G Dimmer, 350 W, White
E8331DST300ZB_WG	Wiser AvatarOn 1G Dimmer, 300 W, Wine Gold
E8332DST350ZB_WG	Wiser AvatarOn 2G Dimmer, 350 W, Wine Gold

Key Features

- Connectivity - Zigbee 3.0
- Sleek with a transparent dolly
- Dual color dimmable LED in White/Blue colors that can be configured on the device or via the Wiser app.
- Glass touch switches with a flat impress
- Better LED performance with the neutral installation
- Dimming range can be configured via the Wiser by SE app.



Dimmers (continued)

Technical Information

Main

Range of product	AvatarOn
Range compatability	Wiser Hub
Product or component type	Dimmer
Load type	Incandescent lamp, Halogen lamp, Fluorescent lamp, LED

Complementary

Rated operational voltage	100...240 VAC, 50/60 Hz
Device mounting	Surface/Flush mounting
Connector type	Brass terminal
Backlight indicator	White/Blue
Programming indicator	Green/Red/Orange
Number of cables	1 mm ² ...2.5 mm ² (13-18 AWG), solid or stranded types 1 x 2.5 mm ² , 2 x ≤ 1.5 mm ²
Communication	Zigbee: 2.4 GHz, IEEE802.15.4 compliant
Width	86 mm
Height	86 mm
Product depth	38.4 mm
Mounting depth	35 mm

Environment

IP degree of protection	IP20
Ambient temperature for operation	-10 °C to 45 °C
Relative humidity	10 to 95 %
Environmental characteristics	Indoor use
Operating altitude	≤ 2000 meters from the sea level

Certification

Standards	IEC60669-2-5, EN60669-2-5
Product certification	CE
Other certification	Zigbee 3.0



Offer Sustainability

Product environmental profile	Green Premium compliant
RoHS	Compliant with RoHS directive 2011/65/EU
REACH	Compliant with REACH directive V18

Contractual warranty

Warranty period	2 years
-----------------	---------

Dimmers (continued)

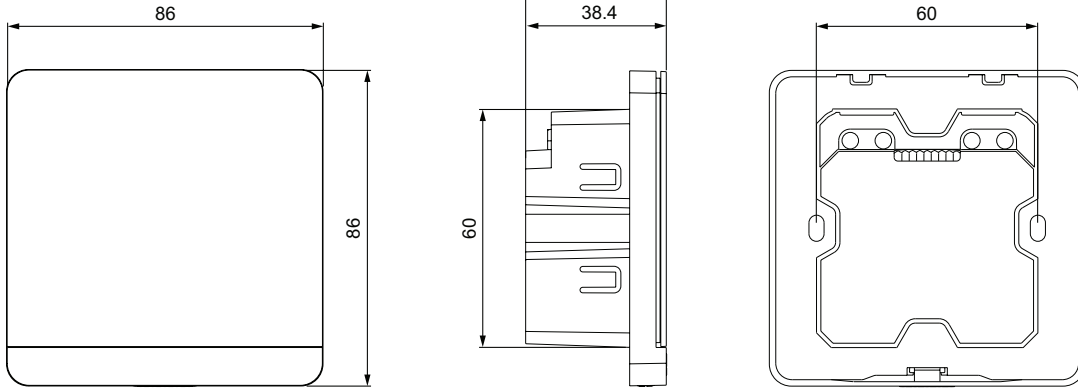
Power Rating				
Leading edge mode disable				
Load type	100-120 VAC, 50/60 Hz		220-240 VAC, 50/60 Hz	
	1 Gang	2 Gang	1 Gang	2 Gang
 LED	100 W, PF ≥ 0.6	150 W, PF ≥ 0.6 Max 100 W/gang	200 W, PF ≥ 0.6	300 W, PF ≥ 0.6 Max 200 W/gang
	100 W, PF ≥ 0.6	50 W, PF ≥ 0.6 Max 100 W/gang	200 W, PF ≥ 0.6	300 W, PF ≥ 0.6 Max 200 W/gang
	100 W, PF ≥ 0.6	150 W, PF ≥ 0.6 Max 100 W/gang	200 W, PF ≥ 0.6	300 W, PF ≥ 0.6 Max 200 W/gang
	150 W	175 W, Max 150 W/gang	300 W	350 W, Max 300 W/gang
	75 W, PF ≥ 0.9	75 W, PF ≥ 0.9	150 W, PF ≥ 0.9	150 W, PF ≥ 0.9

Leading edge mode enable				
Load type	100-120 VAC, 50/60 Hz		220-240 VAC, 50/60 Hz	
	1 Gang	2 Gang	1 Gang	2 Gang
 LED	25 W, PF ≥ 0.6	35 W, PF ≥ 0.6 Max 25 W/gang	50 W, PF ≥ 0.6	70 W, PF ≥ 0.6 Max 50 W/gang
	25 W, PF ≥ 0.6	35 W, PF ≥ 0.6 Max 25 W/gang	50 W, PF ≥ 0.6	70 W, PF ≥ 0.6 Max 50 W/gang
	25 W, PF ≥ 0.6	35 W, PF ≥ 0.6 Max 25 W/gang	50 W, PF ≥ 0.6	70 W, PF ≥ 0.6 Max 50 W/gang
	150 W	175 W, Max 150 W/gang	300 W	350 W, Max 300 W/gang
	75 W, PF ≥ 0.9	75 W, PF ≥ 0.9	150 W, PF ≥ 0.9	150 W, PF ≥ 0.9

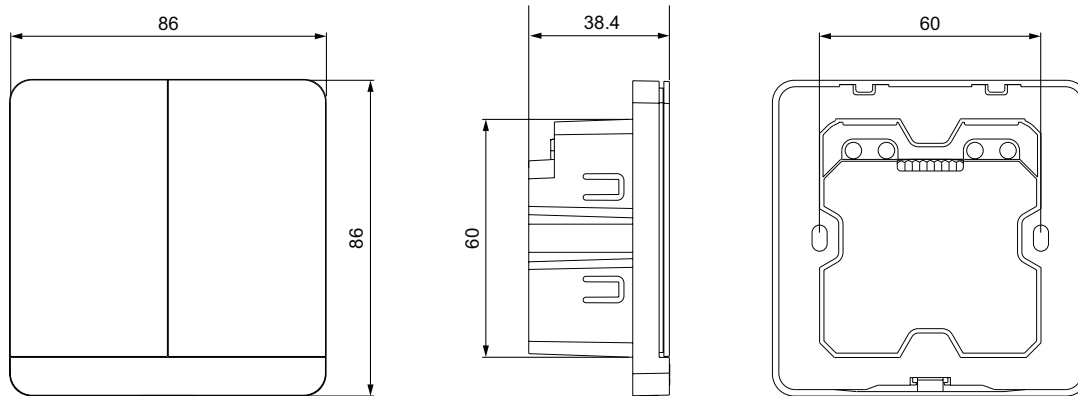
Dimmers (continued)

Dimensions (mm)

1 Gang

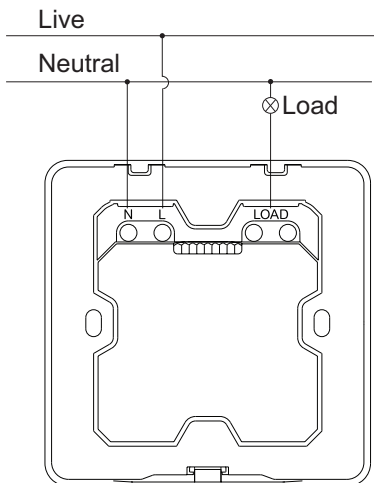


2 Gang

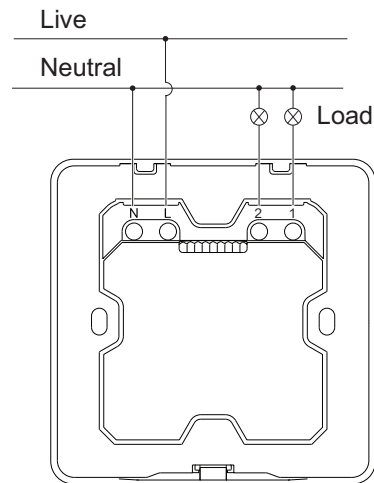


Wiring Diagrams

1 Gang



2 Gang



Freelocates

A freelocate is a remote controller of individual or group of devices, configurable by Wiser by SE app or E-mode commissioning.

Wiser range offers you 2 key and 4 key freelocates available in White and Wine Gold.

Commercial Reference	Description
E8332RWMZB_WE	Wiser AvatarOn 2 Key Freelocate Switch, White
E8334RWMZB_WE	Wiser AvatarOn 4 Key Freelocate Switch, White
E8332RWMZB_WG	Wiser AvatarOn 2 Key Freelocate Switch, Wine Gold
E8334RWMZB_WG	Wiser AvatarOn 4 Key Freelocate Switch, Wine Gold

Key Features

- Connectivity - Zigbee 3.0
- Dual color dimmable LED in White/Blue colors that can be configured on the device or via the Wiser app.
- Seamlessly controls a group of Wiser Zigbee devices via the Wiser Hub.
- Creating moments through E-mode commissioning for Freelocates without using the Wiser Hub.
- Freelocates can be set to trigger pre-defined moments and other events at scheduled intervals
- Up to 6/10 optional icons provided for 2K/4K Freelocates, which can be interchanged based on the set function.
- Easy configuration via Wiser by SE app or E-mode commissioning.
- Approximately 2 years of battery life.



Freelocates (continued)

Technical Information

Main

Range of product	AvatarOn
Range compatability	Wiser Hub
Product or component type	Freelocate switch
Product colour	White and Wine Gold

Complementary

Battery size	CR2032, 2 pieces
Battery life time	Approximately 2 years (battery life may vary according to usage type and environment)
Operating voltage	3 VDC
Device mounting	Surface mounting, Flush mounting
Module mounting	Magnetic absorption
Number of keys	2/4
Communication	Zigbee: 2.4 GHz, IEEE802.15.4 compliant
Operating distance	20 meters, line-of-sight; 5% reduction, metal wall box

Complementary

Backlight indicator	White/Blue
Programming indicator	Green/Red/Orange
Width	86 mm
Height	86 mm
Product depth	16.1 mm
Mounting depth	3.8 mm

Environment

IP degree of protection	IP20
Ambient temperature for operation	-10 to 45 °C
Relative humidity	10 to 95 %
Environmental characterisitcs	Indoor use

Certification

Standards	EN 60669-2-5, IEC 60669-2-5
Product certification	CE
Other certification	Zigbee 3.0

Offer Sustainability

Product environmental profile	Green Premium compliant
RoHS	Compliant with RoHS directive 2015/863/EU
REACH	Compliant with REACH directive 1907/2006/EC

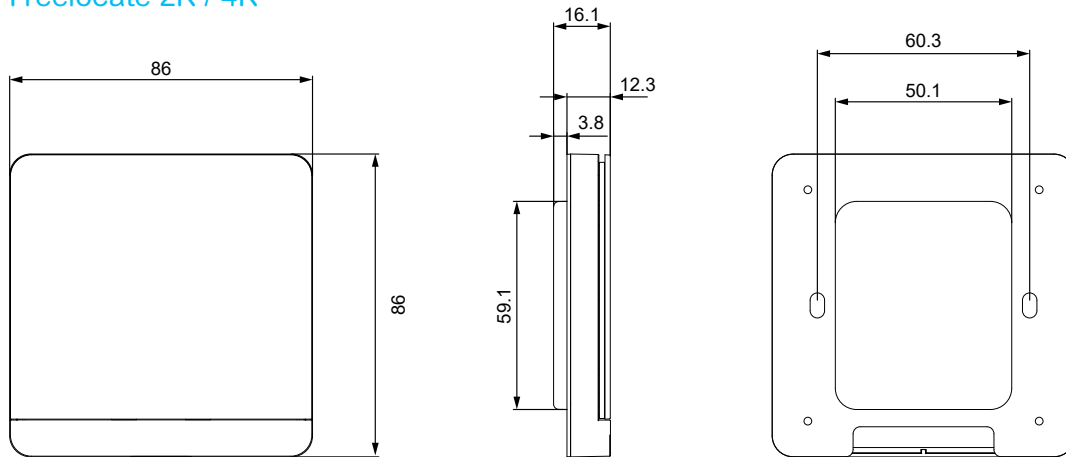
Contractual warranty

Warranty period	1 year
-----------------	--------

Freelocates (continued)

Dimensions (mm)

Freelocate 2K / 4K





Micro Module Switch

The Wiser 1 Gang Micro Module Switch is used to switch the ohmic, inductive or capacitive loads. The module is actuated through the Wiser by SE app or connected mechanical switch.

Commercial Reference	Description
CCT5011-0001_AS	Wiser 1 Gang Micro Module Switch

Technical Information	
Main	
Range of product	Wiser
Product or component type	Switch
Load type	Incandescent lamp, Halogen lamp, Fluorescent lamp, LED, Motor
Product colour	Dark gray

Functional	
Programming indicator	Green/Red/Orange
Number of outputs	1
Connected auxiliaries	Maximum 10 mechanical momentary switches, 220-240 VAC, Max. cable length
Type of installation	Indoor installation

Electrical	
Rated operational voltage	220-240 VAC, 50/60 Hz
Standby consumption	0.3 W
Associated fuse rating	16 A
Wiring configuration	With neutral

Connections	
Connections - terminals	Screw terminal
Clamping connection capacity	1.5...2.5 mm ² solid 1.5...2.5 mm ² solid stranded
Communication interface	RF mesh technology based on IEEE 802.15.4

Environment	
IP degree of protection	IP20
Ambient temperature for operation	0 to 35 °C
Operating altitude	≤ 2000 meters from the sea level

Physical characteristics	
Mounting support	In the wallbox
Width	43 mm
Height	43 mm
Depth	22 mm

Certification	
Standards	EN 60669-2-5, IEC 60669-2-5
Product certification	CE



Key Features

- Converts mechanical switches into smart switches
- Supports multiple load types such as incandescent lamps, halogen lamps, LED, compact fluorescent lamps, and motorized loads

Micro Module Switch (continued)

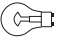


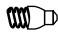

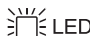
Offer Sustainability

Product environmental profile	Green Premium compliant
RoHS	Compliant with RoHS directive 2015/863/EU
REACH	Compliant with REACH directive 1907/2006/EC

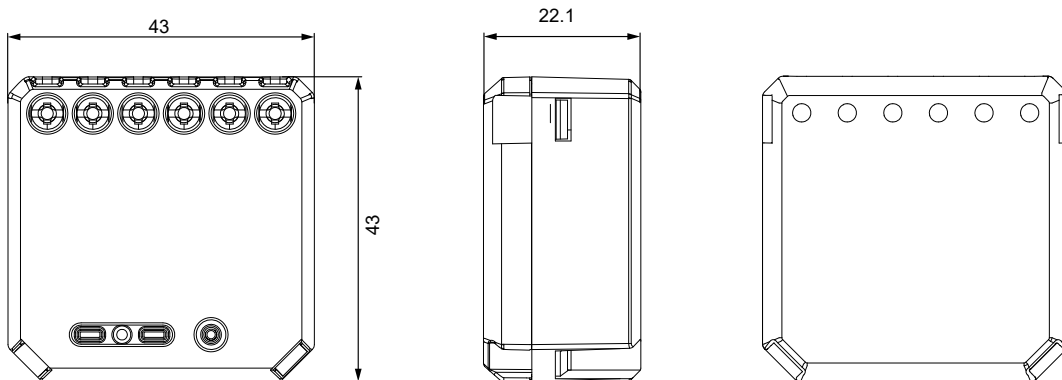
Contractual warranty

Warranty period	1 year
-----------------	--------

Power Rating

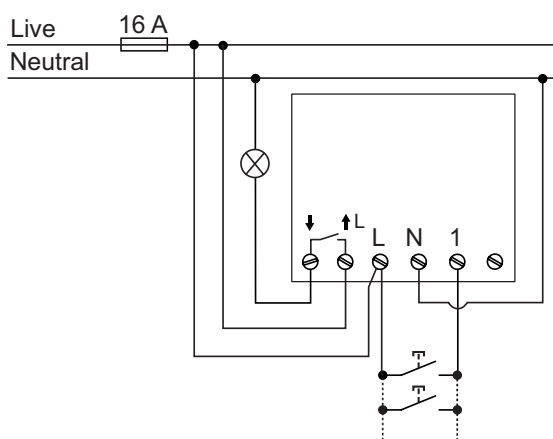
Load type	220-240 VAC, 50/60 Hz						
 2200 W	 500 VA	 1050 VA	 100 W				
 2000 W	 1000 W	C 10 A, 140 µF	 LED 200 W				

Dimensions (mm)



Wiring Diagrams

1 Gang



Micro Module Dimmer

The Wiser 1 Gang Micro Module Dimmer is used to switch and dim the ohmic, inductive, or capacitive loads. The module is actuated through the Wiser by SE app or connected mechanical switch.

Commercial Reference	Description
CCT5010-0001_AS	Wiser 1 Gang Micro Module Dimmer

Technical Information

Main	
Range of product	Wiser
Product or component type	Dimmer
Dimmer type	Universal
Load type	Incandescent lamp, Halogen lamp, Fluorescent lamp, LED
Product colour	Dark gray

Functional

Programming indicator	Green/Red/Orange
Protection type	Overheating protection Short-circuit protection Automatic overload protection
Connected auxiliaries	Maximum 10 mechanical momentary switches, 220-240 VAC, cable length 50 m
Type of installation	Indoor

Electrical

Rated operational voltage	220-240 VAC, 50/60 Hz
Standby consumption	< 0.4 W
Wiring configuration	Without neutral

Connections

Connections - terminals	Screw terminal
Clamping connection capacity	1.5...2.5 mm ² solid 1.5...2.5 mm ² solid stranded
Communication interface	RF mesh technology based on IEEE 802.15.4

Environment

IP degree of protection	IP20
Ambient temperature for operation	0 to 35 °C
Operating altitude	≤ 2000 meters from the sea level

Physical characteristics

Mounting support	In the wallbox
Width	43 mm
Height	43 mm
Mounting depth	22 mm



Key Features








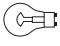



- Converts 230 VAC momentary mechanical switch into smart dimmers.
- Supports multiple load types such as incandescent lamps, halogen lamps, LED and compact fluorescent lamps.

Micro Module Dimmer (continued)

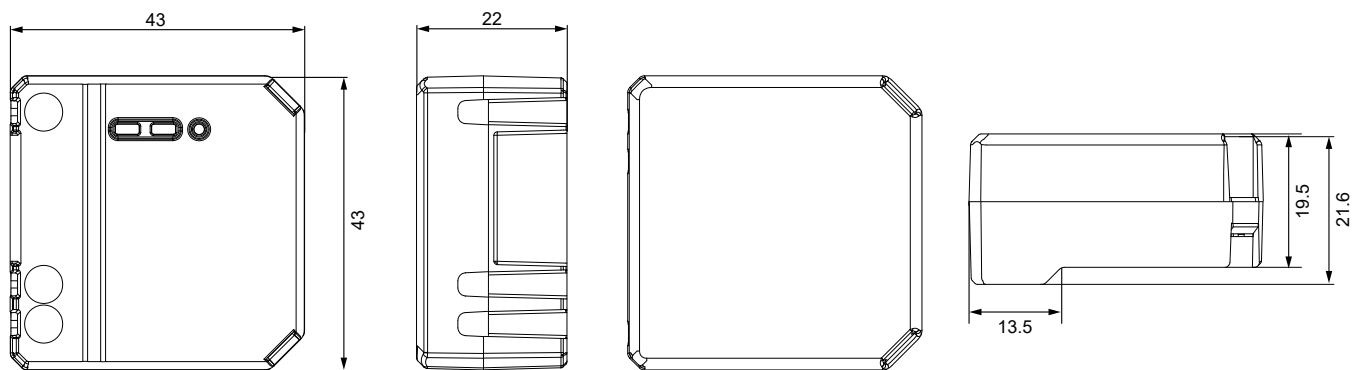
Certification	
Standards	EN 60669-2-5, IEC 60669-2-5
Product certification	CE

Offer Sustainability	
Product environmental profile	Green Premium compliant
RoHS	Compliant with RoHS directive 2015/863/EU
REACH	Compliant with REACH directive 1907/2006/EC

Contractual warranty	
Warranty period	1 year

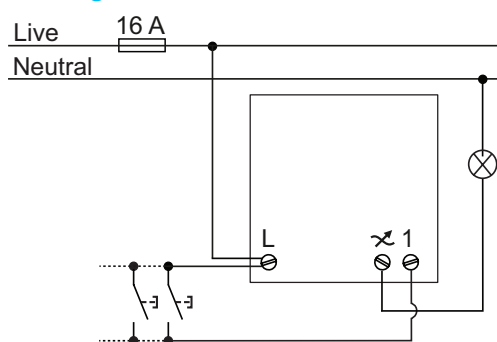
Power Rating			
Load type	220-240 VAC, 50/60 Hz		
 LED	5-100 VA 		14-150 VA 
	5-20 VA 		14-150 W 
	14-200 W 		14-200 VA 

Dimensions (mm)



Wiring Diagrams

1 Gang



Window/Door Sensor

The Wiser Window/Door Sensor detects open and close movement and triggers an alert and/or an action via the Wiser by SE app.

Commercial Reference	Description
CCT591011_AS	Wiser Window/Door Sensor

Technical Information

Main	
Range of product	Wiser
Range compatability	Wiser Hub
Product or component type	Sensor
Device application	Sensor to detect the Window/Door open or close
Product colour	White

Complementary

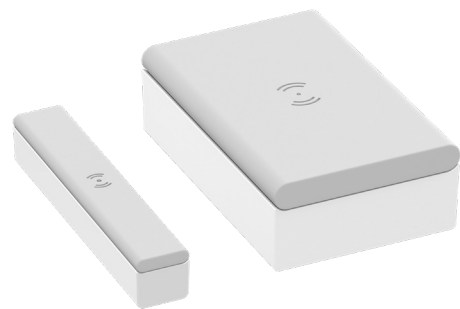
Battery type	CR2450
Battery life time	Approximately 5 years (battery life may vary according to usage type and environment)
Operating voltage	3 VDC
Configuration	Reporting interval
Communication interface	Zigbee: 2.4GHz, IEEE 802.15.4 compliant
Magnetic gap	<18 mm Wood and Plastic surface <10 mm Metallic surface
Height	Master part: 50 mm Slave part: 50 mm
Width	Master part: 33 mm Slave part: 9 mm
Depth	Master part: 16.3 mm Slave part: 9 mm

Environment

IP degree of protection	IP20
Ambient temperature for operation	-10 °C to 50 °C
Relative humidity	10 to 95 %
Operating altitude	≤ 2000 meters from the sea level
Environmental characteristic	REACH Regulation (EC) No 1907/2006 RoHS compliant (EU) No 2015/863

Certification

Standards	EN 60669-2-5 IEC 60669-2-5
Product certification	CE
Other certification	Zigbee 3.0



Key Features

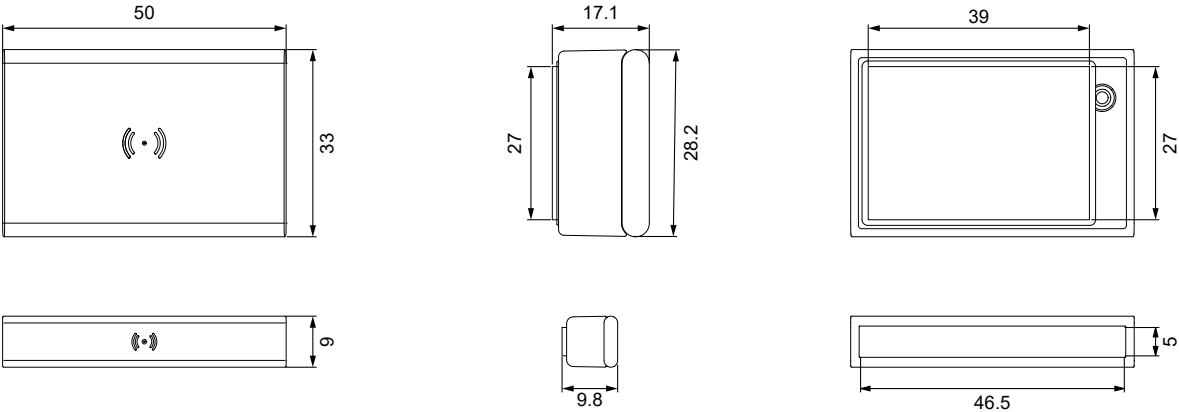
- Easy installation by sticking on the door/window
- Connects and reports status to the Wiser Hub and can be set to trigger moments
- Battery life is approximately 5 years
- Connectivity – Zigbee 3.0

Window/Door Sensor (continued)

Offer Sustainability	
Product environmental profile	Green Premium compliant
RoHS Directive	Compliant
REACH	Reference contains Substances of Very High Concern above the threshold

Contractual warranty	
Warranty period	1 year

Dimensions (mm)



Water Leakage Sensor

The Wisier Water Leakage Sensor detects a water leak and alerts you by sounding an alarm and also by notifying via the Wisier by SE app.

Commercial Reference	Description
CCT592011_AS	Wisier Water Leakage Sensor

Technical Information	
Main	
Range of product	Wisier
Range Compatability	Wisier Hub
Product or component type	Sensor
Device application	Sensor to detect the presence of water. Integrated buzzer with 70 dB (3 m distance).
Product colour	White



Complementary	
Battery type	LR03 AAA (2 pieces)
Battery life time	Approximately 5 years (battery life may vary according to usage type and environment)
Operating voltage	3 VDC
Configuration	Reporting interval
Communication interface	Zigbee: 2.4GHz, IEEE 802.15.4 compliant
Height	18.96 mm
Width	70.8 mm
Diameter	50 mm

Key Features

- Water resistant design with low profile to fit under appliances.
- Battery life is approximately 5 years
- Connectivity – Zigbee 3.0

Environment	
IP degree of protection	IP44
Ambient temperature for operation	-10 °C to 50 °C
Relative humidity	10 to 95 %
Operating altitude	≤ 2000 meters from the sea level
Environmental characteristic	REACH Regulation (EC) No 1907/2006 RoHS compliant (EU) No 2015/863

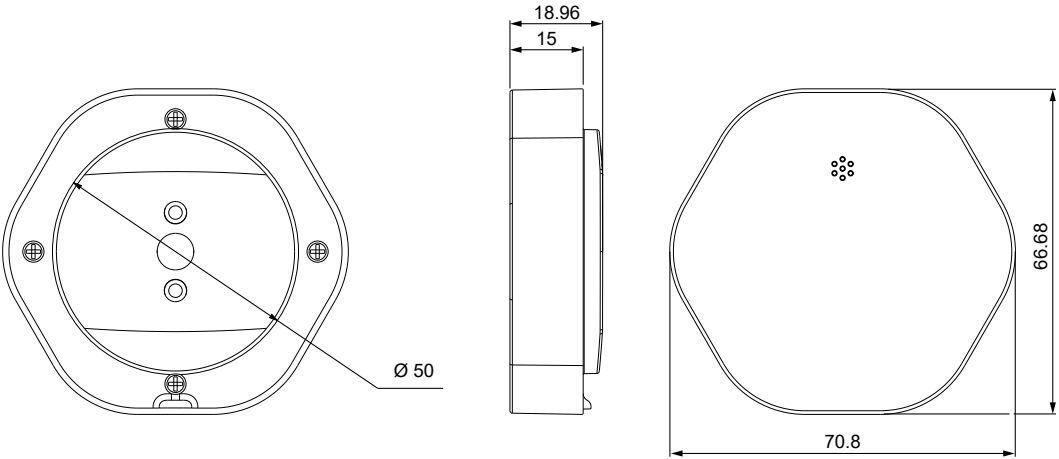
Certification	
Standards	EN 60669-2-5 IEC 60669-2-5
Product certification	CE
Other certification	Zigbee 3.0

Offer Sustainability	
Product environmental profile	Green Premium compliant
RoHS Directive	Compliant
REACH	Reference contains Substances of Very High Concern above the threshold

Water Leakage Sensor (continued)

Contractual warranty	
Warranty period	1 year

Dimensions (mm)



Motion Sensor

The Wiser Motion Sensor detects motion and luminance in a designated area to trigger device actions as programmed.

Commercial Reference	Description
CCT595011_AS	Wiser Motion Sensor

Technical Information

Main

Range of product	Wiser
Range compatability	Wiser Hub
Product or component type	Sensor
Device application	Sensor to check the ambient light level and presence of people moving in a certain area
Product colour	White

Complementary

Battery type	LR03 AAA (2 pieces)
Battery life time	Approximately 5 years (battery life may vary according to usage type and environment)
Operating voltage	3 VDC
Configuration	Reporting interval, Sensitivity
Communication interface	Zigbee: 2.4GHz, IEEE 802.15.4 compliant
Detection range	Ceiling: Ø4m (Installation height 2.5 m) Wall: R5m (Installation height 1.2 m)
Angle of detection	Ceiling: 360° Wall: 90° ~110°
Lux measurement range	0 lx to 3000 lx
Maximum diameter	75 mm
Maximum width	26.6 mm

Environment

IP degree of protection	IP20
Ambient temperature for operation	-10 °C to 50 °C
Relative humidity	10 to 95 %
Operating altitude	≤ 2000 meters from the sea level
Environmental characteristic	REACH Regulation (EC) No 1907/2006 RoHS compliant (EU) No 2015/863

Certification

Standards	EN 60669-2-5 IEC 60669-2-5
Product certification	CE
Other certification	Zigbee 3.0



Key Features

- Can be easily mounted on the walls or ceiling.
- Reports motion detection data to the Wiser Hub.
- Provides a 360 degree detection angle with a range of 4 m diameter when the unit is mounted on ceiling.
- Provides a 90 to 110 degree detection angle with a range of 5 m radius when the unit is mounted on the wall.
- Battery life is approximately 5 years
- Connectivity – Zigbee 3.0

Motion Sensor (continued)

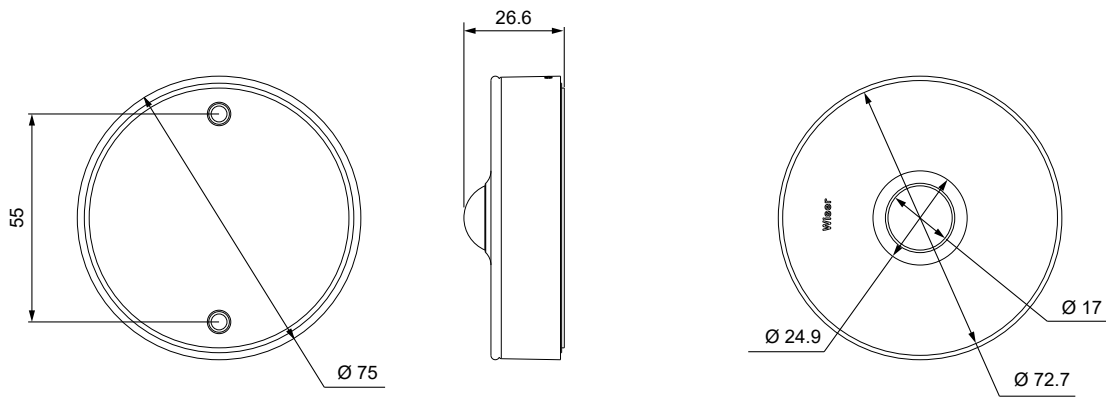
Offer Sustainability

Product environmental profile	Green Premium compliant
RoHS Directive	Compliant
REACH	Reference contains Substances of Very High Concern above the threshold

Contractual warranty

Warranty period	1 year
-----------------	--------

Dimensions (mm)



Temperature/Humidity Sensor

The Wiser Temperature/Humidity Sensor detects temperature and humidity so that the system can trigger other devices in response to environmental changes. The measured data is reported to the Wiser by SE app.

Commercial Reference	Description
CCT593011_AS	Wiser Temperature/Humidity Sensor

Technical Information	
Main	
Range of product	Wiser
Range Compatability	Wiser Hub
Product or component type	Sensor
Device application	Sensor to measure moisture and air temperature of a room
Product colour	White



Complementary	
Battery type	CR2450
Battery life time	Approximately 5 years (battery life may vary according to usage type and environment)
Operating voltage	3 VDC
Configuration	Reporting interval
Communication interface	Zigbee: 2.4GHz, IEEE 802.15.4 compliant
Maximum diameter	45 mm
Maximum width	45 mm
Maximum depth	17.2 mm

Key Features

- Battery life is approximately 5 years
- Connectivity – Zigbee 3.0

Environment	
IP degree of protection	IP20
Ambient temperature for operation	-10 °C to 50 °C
Relative humidity	10 to 95 %
Operating altitude	≤ 2000 meters from the sea level
Environmental characteristic	REACH Regulation (EC) No 1907/2006 RoHS compliant (EU) No 2015/863

Certification	
Standards	EN/IEC 60669-2-9 EN/IEC 60730-2-13
Product certification	CE
Other certification	Zigbee 3.0

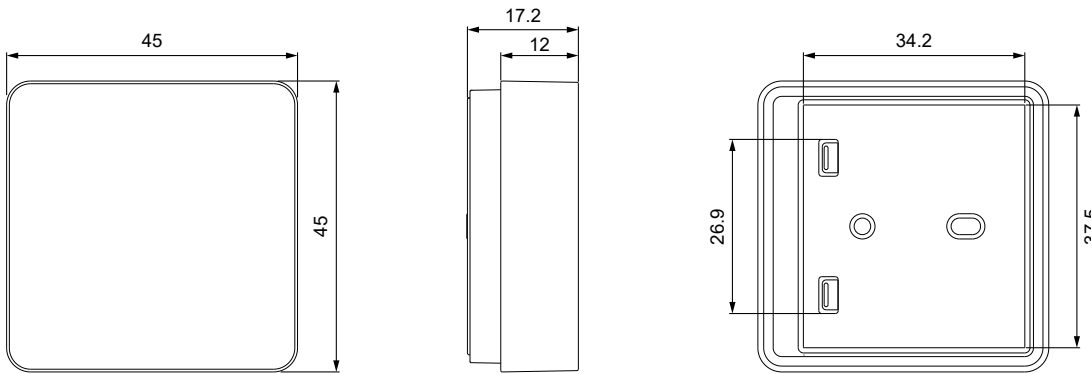
Offer Sustainability	
Product environmental profile	Green Premium compliant
RoHS Directive	Compliant
REACH	Reference contains Substances of Very High Concern above the threshold

Temperature/Humidity Sensor (continued)

Contractual warranty

Warranty period	1 year
-----------------	--------

Dimensions (mm)



Wiser

Switches



E8331SRY800ZB_WE
Wiser AvatarOn 1 Gang
Switch, White



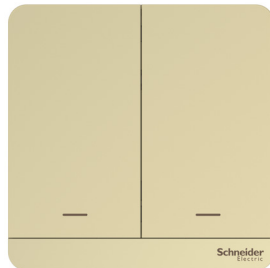
E8332SRY800ZB_WE
Wiser AvatarOn 2 Gang
Switch, White



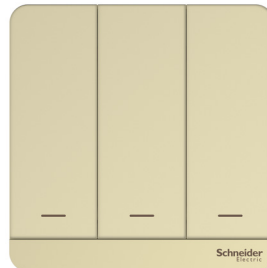
E8333SRY800ZB_WE
Wiser AvatarOn 3 Gang
Switch, White



E8331SRY800ZB_WG
Wiser AvatarOn 1 Gang
Switch, Wine Gold



E8332SRY800ZB_WG
Wiser AvatarOn 2 Gang
Switch, Wine Gold



E8333SRY800ZB_WG
Wiser AvatarOn 3 Gang
Switch, Wine Gold

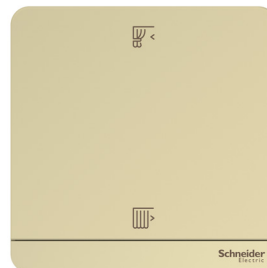
Curtain Switches



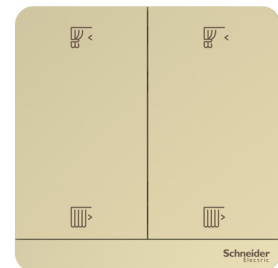
E8331SCN200ZB_WE
Wiser AvatarOn 1 Gang
Curtain Switch, White



E8332SCN300ZB_WE
Wiser AvatarOn 2 Gang
Curtain Switch, White



E8331SCN200ZB_WG
Wiser AvatarOn 1 Gang
Curtain Switch, Wine Gold



E8332SCN300ZB_WG
Wiser AvatarOn 2 Gang
Curtain Switch, Wine Gold

Wiser

Dimmers



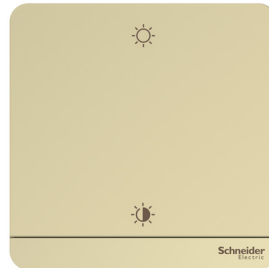
E8331DST300ZB_WE

White PHA45443 Wiser AvatarOn 1G Dimmer, White



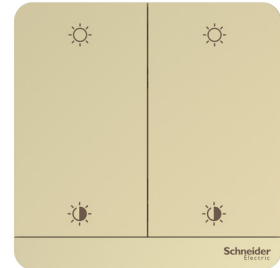
E8332DST350ZB_WE

White PHA45448 Wiser AvatarOn 2G Dimmer, White



E8331DST300ZB_WG

Wine Gold PHA45466 Wiser AvatarOn 1G Dimmer, Wine Gold



E8332DST350ZB_WG

Wine Gold PHA45468 Wiser AvatarOn 2G Dimmer, Wine Gold

Freelocates



E8332RWMZB_WE

Wiser AvatarOn 2 Key Freelocate Switch, White



E8334RWMZB_WE

Wiser AvatarOn 4 Key Freelocate Switch, White



E8332RWMZB_WG

Wiser AvatarOn 2 Key Freelocate Switch, Wine Gold



E8334RWMZB_WG

Wiser AvatarOn 4 Key Freelocate Switch, Wine Gold

Micro Module Switch



CCT5011-0001_AS

Wiser 1 Gang Micro Module Switch

Micro Module Switch



CCT5010-0001_AS

Wiser 1 Gang Micro Module Dimmer

Wiser

Window/Door Sensor



CCT591011_AS
Wiser Window/Door Sensor

Water Leakage Sensor



CCT592011_AS
Wiser Water Leakage Sensor

Motion Sensor



CCT595011_AS
Wiser Motion Sensor

Temperature/Humidity Sensor



CCT593011_AS
Wiser Temperature/Humidity Sensor

Wiser Hub



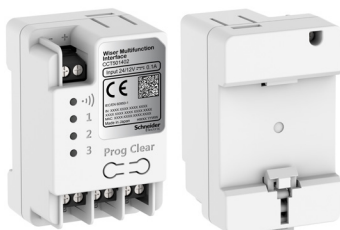
CCT501900
Wiser Hub

Wiser ZB/IP Gateway Docking Kit



CCT501400_0001
Wiser ZB/IP Gateway Docking Kit

Wiser Multifunction Interface



CCT501402
Wiser Multifunction Interface

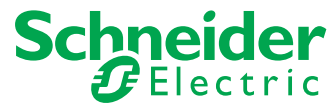
Wiser 360Degree ZB/IR Convertor



CCT501401
Wiser 360Degree ZB/IR Convertor



Life Is On



se.com

Schneider Electric Asia Pacific Limited
11th Floor, Kerry Centre, 683 King's Road,
Quarry Bay, Hong Kong