



The vacuum circuit breaker for commercial buildings, industrial plants and utilities

EasyPact EXE
The easy choice for more value



EasyPact EXE, a medium voltage vacuum circuit breaker



optimizing the electrical room performances in commercial buildings, industrial plants and power grid substations



Easypact EXE at a glance

- Ratings up to 12 kV/31.5 kA/2500 A
- Fixed and withdrawable versions
- Customization by the Panel Builder
- On-the-shelf availability
- Simple online ordering
- Proven compliance with IEC standard
- Broad range of dimensions
- Schneider Electric customer care centers
- Robust interlocking system

		Fixed version		Withdrawable version	
		150	210	150	210
Phase distance (mm)					
Rated Voltage Ur (kV)	12	■	■	■	■
Rated lightning impulse withstand voltage Up (kV)	75	■	■	■	■
	95	■	■	(1)	(1)
Rated short-circuit breaking current I _{sc} (kA)	20	■	(2)	■	(2)
	26.3	■	■	■	■
	31.5	■	■	■	■
Rated normal current I _r (A)	800	■	■	■	■
	1250	■	■	■	■
	1600		■		■
	2000		■		■
	2500		■		(1)

(1) Please contact your sales representative for more information
 (2) 20 kA available for I_r ≤ 1250 A

EasyPact EXE catalog is available for detailed information at:
<http://www.schneider-electric.co.in/en/product-category/87888-mv-circuit-breakers---mv-contactors/?filter=business-6-medium-voltage-distribution-and-energy-automation>

EasyPact EXE

The easy choice for more value



Effectiveness

Adding value to Panel Builders:

- Customization flexibility
- On-the-shelf availability
- Simple online ordering
- Broad range of dimensions
- Cost saving

Peace of mind

Robust design and manufacturing controls

Proven compliance with IEC standard

Reliable customer support:

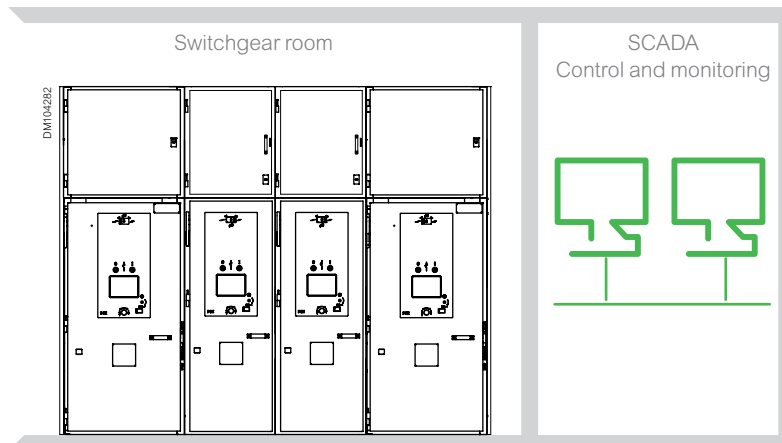
- Online document repository
- Customer care centers
- Service offers
- Technical and commercial support

Safety

Enhancing switchgear safety features:

- Robust interlocking system
- Reliable operating mechanism, vacuum interrupters, and racking trolley

EasyPact EXE circuit breaker enables the Panel Builder to design switchgear solutions with enhanced safety features and fully control from a separate room



Effectiveness

Customization flexibility

Schneider Electric delivers products including assembly instructions. The Panel Builder customizes the circuit breaker by following these instructions. This enables the Panel Builder to choose accessories and to make changes easily in accordance with his customer requirements.

On-the-shelf availability

The delivery time for standard ordering quantity is a few days (5 days ex-works usually) for high demand products stored in the local warehouse and some additional days for transportation in the case of low demand products stored in regional "hub" warehouse. This enables the Panel Builder to be flexible when ordering product references and to optimize his cash flow.

Simple online ordering

Panel Builders can connect to "MySE" online tool securely and immediately (24/7), and access:

- EcorealMV providing the price and the quantity for each product reference
- Schneider ordering system for discount information, delivery dates, online order entries, confirmation, invoice, order status and other important information.

Broad range of dimensions

The broad choice of dimensions available in the catalog enables Panel Builder to design cubicles with various sizes, e.g.. 600 mm wide feeders for 1250 A/31.5 kA/12 kV.

Please consult EasyPact EXE catalog for details.

Cost saving

EasyPact EXE reduces your costs and gives you more time to do what really matters: take care of your customers and win projects.

Please contact your Schneider Electric sales representative for more information about the commercial terms and conditions.



Peace of mind

Robust design and manufacturing controls

Schneider Electric control system ensures that products delivered to customers have the same performances as the type tested units.

Proven compliance with IEC standard

Type test conducted as per latest IEC at independent Govt. laboratory.

Each product reference has a certificate of conformity with clear information: rated voltage, rated normal current, rated short-circuit current and the dimensions of the circuit breaker.

Online document repository

The following documents are accessible online after flashing the QR code located on EasyPact EXE cover:

- Routine test reports
- Type Test reports as per IEC 62271-100
- Warranty expiry date
- List of spare parts
- Maintenance and service guide

Customer care centers

Schneider Electric staff is accessible online or by telephone in more than 190 countries world-wide.

Service offers

Several offers are available with EasyPact EXE, such as spare-parts management and warranty extension scheme.

Technical support

Cooperation with Schneider Electric includes expert advices on:

- How to customize EasyPact EXE
- How to integrate EasyPact EXE in switchgear

Commercial support

Dedicated support to our Schneider Electric partners helps increase their business. Please consult your Schneider Electric sales representative for additional information.



Safety

EasyPact EXE racking trolley includes:

An integrated push-button to trip the CB without the need of voltage supply and to maintain the CB tripped during the whole racking operation.

A mechanical indicator to make visible service and disconnected positions.

Interlocks between the racking trolley and other parts: LV connector, door handle, circuit breaker and earthing switch.

An optional keylock system to lock the racking trolley in the disconnected position.

Reliable vacuum interrupters, operating mechanism and racking trolley

Essential components such as the operating mechanism, the vacuum interrupters, and the racking trolley are produced in Schneider Electric ISO 9001 certified factories.

"Select equipment that minimizes the risk to personnel from improper operation (for example, fast acting ground switches on lines, motor operators to allow remote operation)"

- IEC 62271-1. Edition 2011 §11.2



Fixed EasyPact EXE

Main characteristics and power connections

Main electrical characteristics according to IEC 62271-100

Designation	Dimensions and electrical characteristics				
	Phase distance (mm)			150	210
Rated voltage	Ur	kV	12	•	•
Rated frequency	f	Hz	50/60	•	•
Rated power frequency withstand voltage ⁽¹⁾	Ud	kV	28	•	•
Rated lightning impulse withstand voltage	Up	kV	75	•	•
			95	•	•
Rated short-circuit breaking current	Isc	kA	20	•	
			26.3	•	•
			31.5	•	•
Rated duration of short-circuit	tk	s	3	•	•
Rated normal current	Ir	A	800	•	
			1 250	•	
			1 600		•
			2 000		•
			2 500		•

Additional characteristics according to IEC 62271-100 are listed in the common characteristics section.

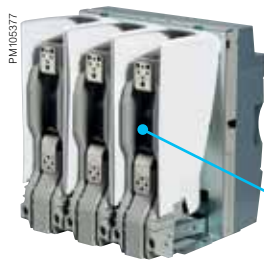


The EasyPact EXE fixed version is equipped with drilled and threaded copper connection terminals at the top and bottom.

The shape and dimensions of conductors must be determined by the Panel Builder according to the dielectric withstand and temperature rise characteristics of the whole connection system.

Field deflectors may be required to achieve 95 kV BIL dielectric withstand depending on the switchgear architecture.

Please contact your sales representative to receive EasyPact EXE integration guide with more information.



Connection without field deflector



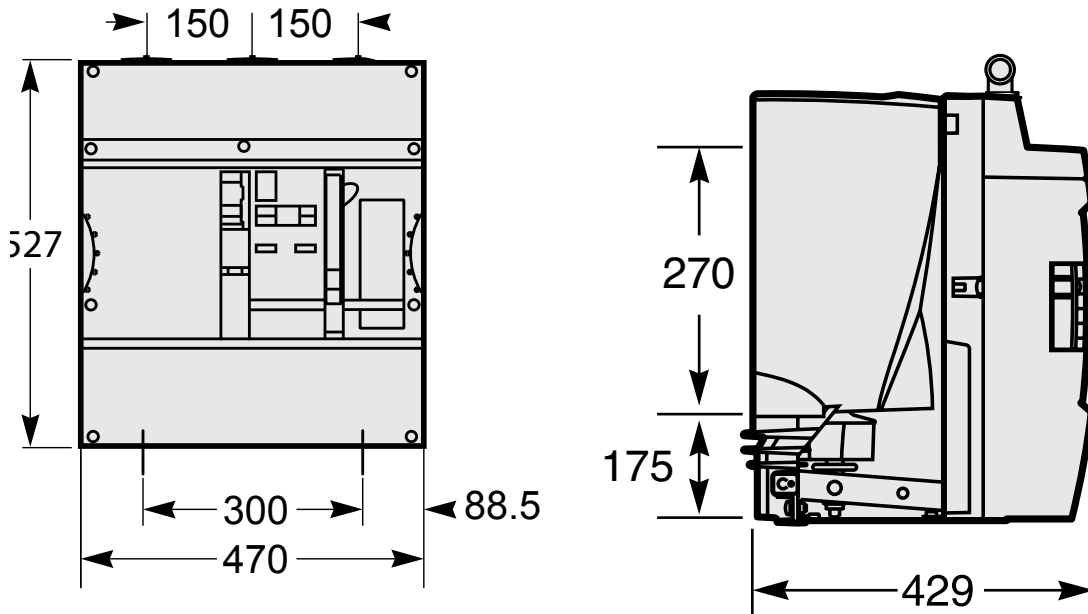
Connection terminal with field deflector

Fixed EasyPact EXE

Dimensions

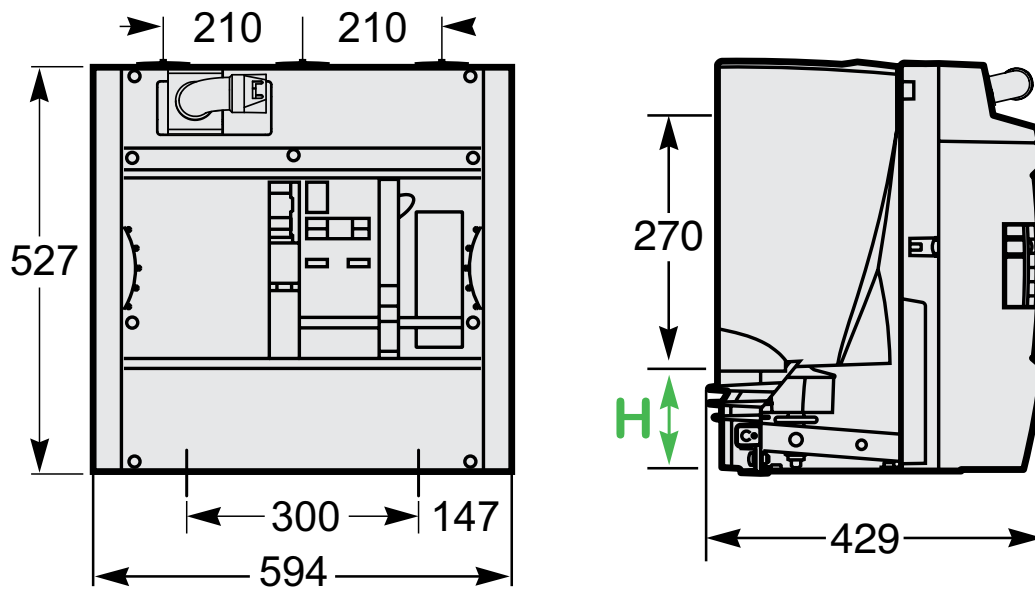
Phase distance 150 mm

Up to 12 kV / 31.5 kA / 1 250 A



Phase distance 210 mm

Up to 12 kV / 31.5 kA / 2 500 A



H • 158 mm for 1 600 A, 2 000 A and 2 500 A

Withdrawable EasyPact EXE

Main characteristics and power connections

Main electrical characteristics according to IEC 62271-100



Designation	Dimensions and electrical characteristics				
	Phase distance (mm)			150	210
Rated voltage	Ur	kV	12	•	•
Rated frequency	f	Hz	50/60	•	•
Rated power frequency withstand voltage ⁽¹⁾	Ud	kV	28	•	•
Rated lightning impulse withstand voltage	Up	kV	75	•	•
			95	(2)	(2)
Rated short-circuit breaking current	Isc	kA	20	•	
			26.3	•	•
			31.5	•	•
Rated duration of short-circuit	tk	s	3	•	•
Rated normal current	Ir	A	800	•	
			1 250	•	
			1 600		•
			2 000		•
			2 500		(2)

Additional characteristics according to IEC 62271-100 are listed in the common characteristics section.

(1) Contact your Schneider Electric sales representative for more information.

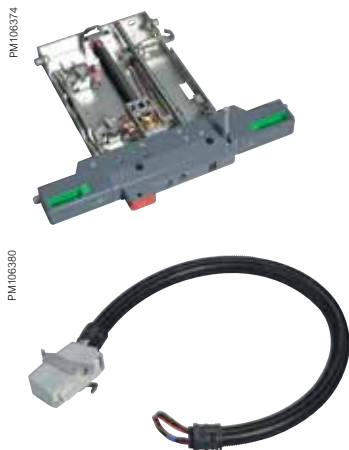
The EasyPact EXE withdrawable version requires a racking trolley, arms, and flat /tulip type contacts for connection to the switchgear power circuit, and a LV connector to connect auxiliary circuits.

Racking trolley

EasyPact EXE racking trolley enables Panel Builder to design switchgear solutions with enhanced safety features. It has a robust interlocking system with the switchgear door, the LV plug, the circuit-breaker and the earthing switch. It can be equipped with accessories such as keylocks and padlocks.

LV connector

EasyPact EXE LV connector enables the connection of auxiliary circuits to the switchgear control cabinet in any circuit breaker position: disconnected or service. The EasyPact EXE LV connector is interlocked with the circuit breaker operating mechanism to prevent any manual closing order without the LV connector latched onto the circuit breaker frame.

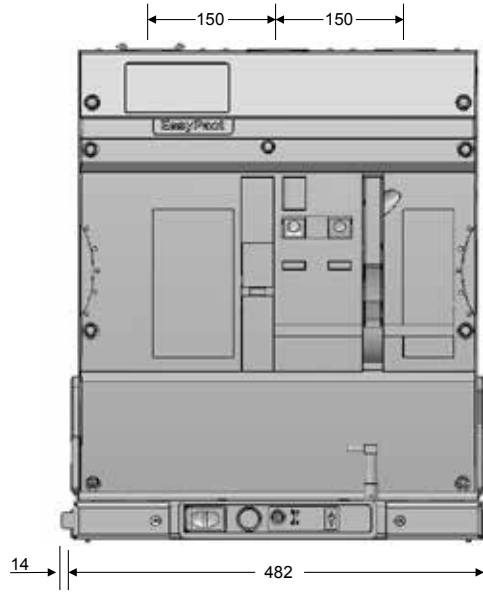


Withdrawable EasyPact EXE

Dimensions

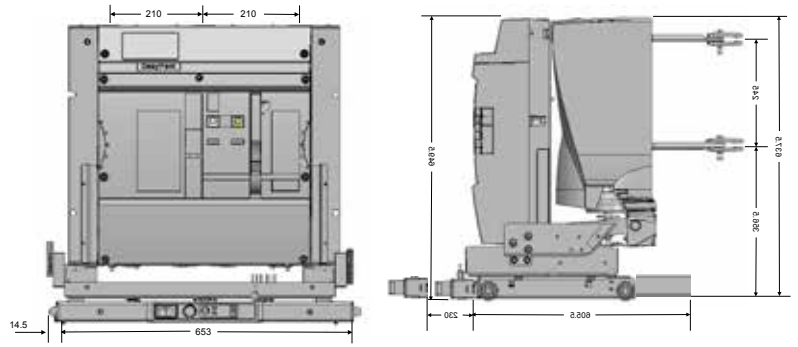
Phase distance 150 mm

Up to 12 kV / 31.5 kA / 1 250 A



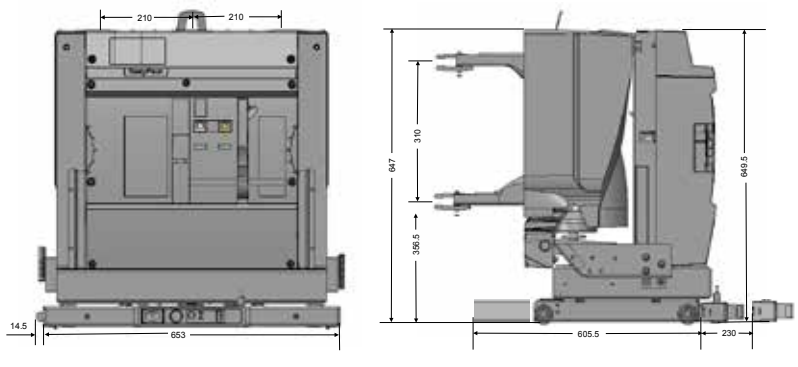
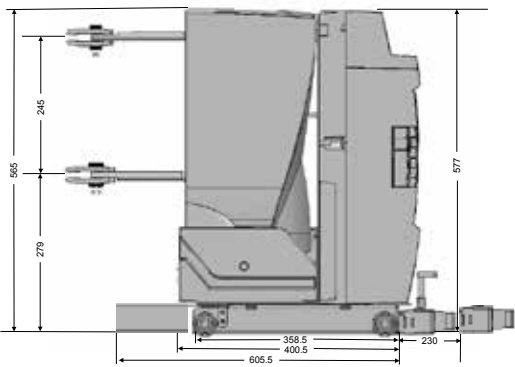
Phase distance 210 mm

Up to 12 kV / 31.5 kA / 1 250 A



Phase distance 210 mm

Up to 12 kV / 31.5 kA / 2 000 A



Fixed and withdrawable EasyPact EXE

Characteristics



Electrical characteristics

Common characteristics according to IEC 62271-100		12 kV
Rated short-time withstand current (Ik/tk)	kA/3s (50/60 Hz)	= I _{sc}
Rated operating sequence	O-0.3 s - CO-3 min - CO	•
	O-0.3 s - CO-15 s - CO	•
Operating times	Opening	< 50 ms
	Breaking	< 60 ms
	Closing	< 75 ms
Mechanical endurance	Class	M2
Electrical endurance	Class	E2 (list 1)
Rated line-charging breaking current	A-class	10-C2
Rated cable-charging breaking current	A-class	25-C2
Single bank capacitor switching test	A-class	400-C2* 400-C1**

Normal operating conditions

EasyPact EXE has designed to operate in the following conditions according to IEC 62271-1

Ambient air temperature	-25 °C to +40 °C (contact Schneider Electric for higher or lower temperatures)
Altitude	Less than or equal to 1 000 m (derating coefficient to be applied for altitudes higher than 1 000 m)
Atmosphere	No dust, smoke, salt, corrosive or flammable gas or vapor
Humidity	<ul style="list-style-type: none"> • Average relative humidity over 24 hours ≤ 95% • Average relative humidity over 1 month ≤ 90% • Average vapor pressure over 24 hours ≤ 2.2 kPa • Average vapor pressure over 1 month ≤ 1.8 kPa

Please contact us for specific operating conditions

* C2 (up to 26.kA)

** C1(up to 31.5kA)

Note

Note

SCHNEIDER ELECTRIC INFRASTRUCTURE LIMITED

Milestone 87, Vadodara-Halol Highway,
Village Kotambi, Post Office Jarod,
Vadodara 391 510, Gujarat.
Tel: 02668 662000, Fax: 02668 662200
<http://www.infra.schneider-electric.com/in>

schneider-electric.co.in

October, 2016