

Uniflair LE Direct Expansion Units

The Uniflair LE series of direct expansion cooling solutions from Schneider Electric is the optimal choice for enterprise data center and colocation customers. Designed for high energy efficiency and flexible deployments, these perimeter units are designed for next generation data centers

Control And Security

- EcoStruxure™ ready
- TLS 1.2 cybersecurity
- Group control
- Preventative maintenance alerts
- Integrated network management card
- Modbus/BACNet/SNMP/Web
- Touch screen color display

Service and Engineering Support

- Industry leading warranty
- 1 Year parts, labor and travel
- 24x7 Technical support
- Custom engineering capabilities

Multiple Configurations

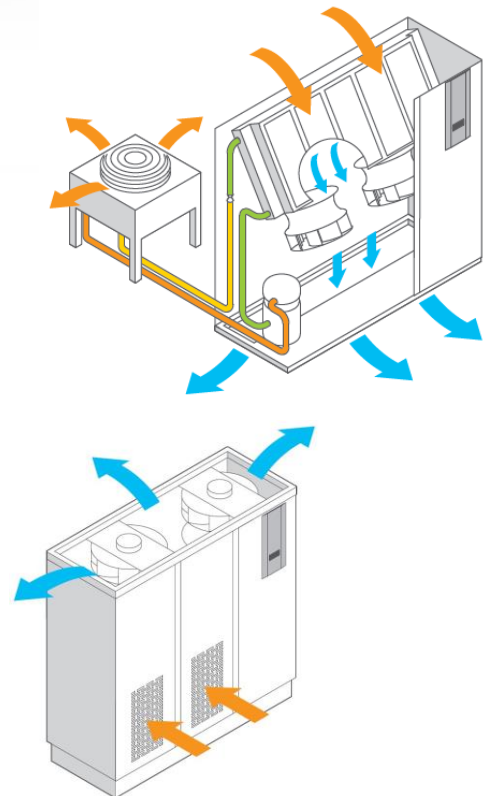
- Air-cooled, water-cooled and energy saver
- Downflow or upflow air discharge

Refrigeration System

- Very high sensible heat ratios
- Active Flow Control compatible
- Low pressure drop slab coil
- Hydrophilic coil coating
- Side panel coil inspection opening
- Scroll compressors
- Electronic Expansion Valve
- Faster response to temperature change

Additional/Optional features

- Reheat and humidification
- Dual power supplies
- Ultra capacitor for fast restart
- 65k SCCR rating
- Condensate pump
- Motorized isolation damper
- Plenum and floor stand



Not all features available on every model

Life Is On

Schneider
Electric

Uniflair LE Direct Expansion Units

Flexible, Efficient, Reliable, Connected – There's no better way to cool

Air Cooled Models	T*AV0511	T*AV1121	T*AV1822	T*AV2242	T*AV2542	LDAV2722
Cooling type	Air cooled direct expansion					
Configuration	Downflow or Upflow					Downflow
Net Sensible Capacity	18kW	35kW	50kW	71kW	71kW	100kW
Air flow (CFM)	3500	7100	9300	12600	12600	15300
Fan Quantity	1	2	2	3	3	3
Electrical Power	208, 460 or 575V, 3ph, 60Hz					460V, 3ph, 60Hz
Dimension (H x W x D) (in)	77 x 40 x 30	77 x 68 x 34	77 x 85 x 34	77* x 102 x 34		85 x 105 x 36

Water Cooled Models	T*WV0511	T*WV1121	T*WV1822	T*WV2242	T*WV2542	T*WV2842
Cooling type	Water cooled direct expansion					
Configuration	Downflow or Upflow					
Net Sensible Capacity	18kW	38kW	50kW	72kW	76kW	83kW
Air flow (CFM)	3500	7100	9300	12600	12600	12600
Fan Quantity	1	2	2	3	3	3
Electrical Power	208, 460 or 575V, 3ph, 60Hz					
Dimension (H x W x D) (in)	77 x 40 x 30	77 x 68 x 34	77 x 85 x 34	77* x 102 x 34		

Energy Saver Models	T*EV0511	T*EV1121	T*EV1822	T*EV2242	T*EV2542	T*EV2842
Cooling type	Energy Saver - Water cooled direct expansion with water side economizer					
Configuration	Downflow or Upflow					
DX Net Sensible Capacity**	19kW	38kW	55kW	76kW	80kW	86kW
FC Net Sensible Capacity**	20kW	38kW	58kW	119W	117kW	120kW
Air flow (CFM)	3500	7100	9300	12600	12600	12600
Fan Quantity	1	2	2	3	3	3
Electrical Power	208, 460 or 575V, 3ph, 60Hz					
Dimension (H x W x D) (in)	77 x 40 x 30	77 x 68 x 34	77 x 85 x 34	77* x 102 x 34		

Unit performance rated @85F, 32%RH

*Upflow models height, downflow models are 86" high with filter box

**Upflow model performance, some downflow models have lower performance

Life Is On

Schneider
Electric