

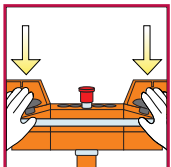
Enabling movement

Two-hand ergonomic control stations

XY2SB

Catalog

October **2015**



Quick access to product information

Get technical information about your product

References

Modicon TM3
I/O expansion modules for Modicon controllers
Analog I/O modules

Number and type of channels	Input range	Output range	Resolution	Input format (internal (mA))	Reference	Weight (kg)
2 voltage/current inputs	-15...+15 VDC 0...20 mA r.t. 20 mA	16.000 or 12.000 r.t. sign	16.000 or 12.000 r.t. sign	Source Sink	TM3AI2H TM3AI2G	0.110 0.200
4 voltage/current inputs	-15...+15 VDC 0...20 mA r.t. 20 mA	16.000 or 12.000 r.t. sign	16.000 or 12.000 r.t. sign	Source Sink	TM3AI4H TM3AI4G	0.110 0.200
4 voltage/current or temperature inputs (T)	-15...+15 VDC 0...20 mA r.t. 20 mA	16.000 or 12.000 r.t. sign	16.000 or 12.000 r.t. sign	Source Sink	TM3AI4H TM3AI4G	0.110 0.200
4 differential temperature inputs (T)	-15...+15 VDC 0...20 mA r.t. 20 mA	16.000 or 12.000 r.t. sign	16.000 or 12.000 r.t. sign	Source Sink	TM3TI4H TM3TI4G	0.110 0.200
8 self-diagnosis	-15...+15 VDC	16.000 or 12.000 r.t. sign	16.000 or 12.000 r.t. sign	Source Sink	TM3AI8H TM3AI8G	0.110 0.200

Share Price Global (English) My Products My Documents Partner Portal

Life Is On Schneider Electric

Search products, documents & more

PRODUCTS SOLUTIONS SERVICES SUPPORT ABOUT US

All products Industrial Automation and Control PLC, PAC and Dedicated Controllers Distributed Input/Output (I/O) Modules Modicon TM3

View all Modicon TM3

TM3AI2H

Module TM3 - 2 analog inputs high resolution

Show more characteristics >

Related Software >

Product Datasheet User guide Catalogue CAD Document

Characteristics Documents and Downloads Technical FAQs Additional Information Dimensions Drawings >

Main

range of product Modicon TM3

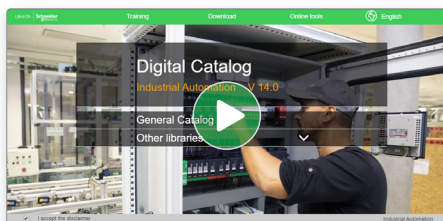
product or component type Analog input module

range compatibility Modicon M251

Each commercial reference presented in a catalog contains a hyperlink. Click on it to obtain the technical information of the product:

- Characteristics, Dimensions and drawings, Mounting and clearance, Connections and schemas, Performance curves
- Product image, Instruction sheet, User guide, Product certifications, End of life manual

Find your catalog



- > With just 3 clicks, you can access the Industrial Automation and Control catalogs, in both English and French
- > Consult digital automation catalogs at [Digi-Cat Online](#)

Industrial Automation

General Catalog

Publications, Datasheets, PLCs Lights & Displays

Books, Catalogs & Interfaces

Signaling Devices

HMI (Terminals and Industrial PC)

Sensors & RFID System

Motor Starters and Load Management

Components for Motor Starters

Variable Speed Drives & Soft Starters

Motor Control & Robotics

Interface, Measurement & Control Relays

PLC, PAC & other Controllers

Publications, Datasheets, PLCs Lights & Displays

Homeless 300

Product Selector

Library 360°

Online 360°

- Up-to-date catalogs
- Embedded product selectors, 360° pictures
- Optimized search by commercial references

Select your training



- > Find the right [Training](#) for your needs on our Global website
- > Locate the training center with the selector tool, using this [link](#)

Search products, documents & more

PRODUCTS SOLUTIONS SERVICES SUPPORT ABOUT US

Training and courses

Whether you are a professional, a teacher or a student, Schneider Electric offers you a wide range of training solutions to enhance your competences in the field of electrical energy.

Training by domain of expertise

Electrical Installation and Safety

Data Center

Industrial Automation

General contents

Enabling movement

Two-hand ergonomic control stations

XY2SB

■ Presentation	page 4
■ Description	page 5
■ Characteristics	page 6
■ References	
- Two-hand control stations - painted	page 7
- Kits (control station + pedestal).....	page 7
- Documentation	page 7
- Separate components and spare parts	page 8
■ Dimensions	page 9
■ Product reference index	
- Index.....	page 10

Enabling movement

Two-hand ergonomic control stations

With Harmony XB4 B control units

Presentation

The design of the control station incorporates features to significantly reduce occupational illnesses associated with repetitive movements of the hands, particularly "carpal tunnel syndrome".

The health and comfort of the machine operator is assured by:

- the numerous alternative hand positions for operating the 2 pushbutton actuators, see diagrams to left,
- a hand rail,
- simple and fast adjustments of control station position.

This two-hand control station protects machine operators against both industrial accidents and illnesses related to their occupation.

It conforms to the following European safety standards:

- EN 574/ISO 13851 (two-hand control),
- EN 999 (approach speeds of parts of the human body and positioning of safety devices).

The control station can be mounted:

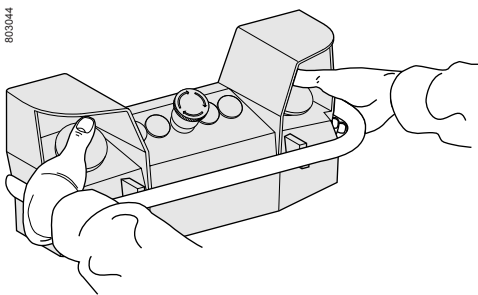
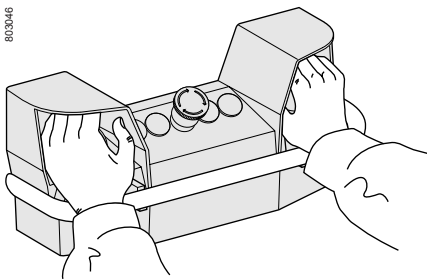
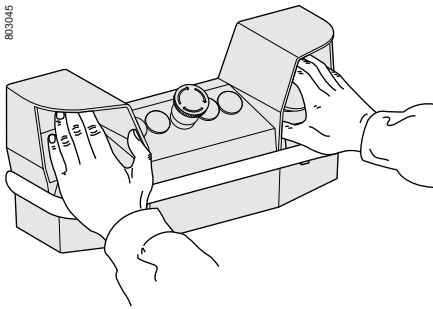
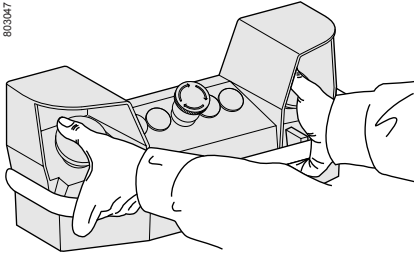
- directly on the machine housing,
- on a pedestal, enabling 3 directional adjustment:
 - height,
 - rake,
 - skew.

The use of a two-hand control station in conjunction with a safety module type XPS BCE or XPS BF provides type IIIC two-hand control conforming to EN 574/ISO 13851 and PL e / Category 4 according to EN/ISO 13859-1.

The range comprises:

- two-hand control stations with or without pre-wired terminal blocks,
- kits (control station + pedestal), with or without pre-wired terminal blocks.

The products are supplied with an installation manual, which is also available as a separate item.



Enabling movement

Two-hand ergonomic control stations

With Harmony XB4 B control units

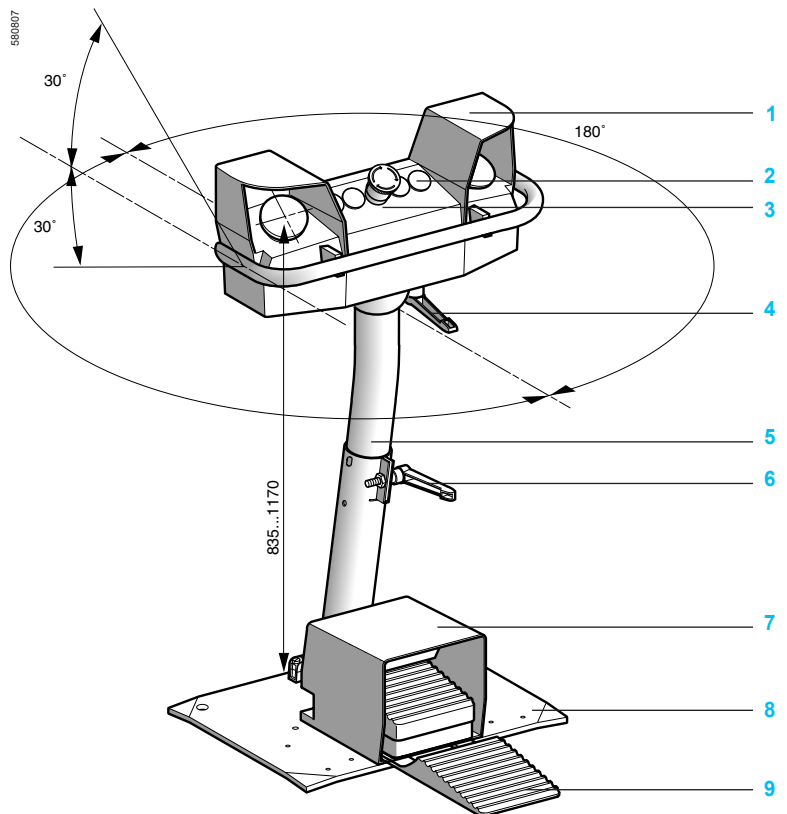
Description

The control station **1** has five cut-outs (\varnothing 22 mm) **2** as standard. Five additional cut-outs are possible **3**.

Its pedestal **5** enables the following quick and simple adjustments:

- Control station rake ($\pm 30^\circ$) using handle **4**.
- Control station skew ($\pm 180^\circ$) using handle **6**.
- Control station height (835 to 1170 mm) using handle **6**.

The baseplate **8** can be fitted with safety foot switches XPE R **9**, together with their protective covers **7**.



Characteristics

Environment

Conformity to standards		EN/IEC 60947-5-1, EN 574/ISO 13851
Maximum safety level (1)		PL e, category 4 conforming to EN/ISO 13849-1 and SIL 3 conforming to EN/IEC 61508
Reliability data B10d	Contact block Harmony XB4B	25,000,000 (data value for a service life of 10 years: can be limited by contact and mechanical wear)
Colour		Orange RAL 2008
Protective treatment	Standard version	"TC"
Ambient air temperature	For operation	°C - 25...+ 70
	For storage	°C - 40...+ 70
Vibration resistance	Conforming to EN/IEC 60068-2-6	5 gn (2...500 Hz)
Shock resistance	Conforming to EN/IEC 60068-2-27	10 gn (duration 11 ms)
Electric shock protection	Conforming to EN/IEC 61140	Class I
Degree of protection	Conforming to EN/IEC 60529	IP 65
Mechanical life	Number of operating cycles	1 million
Cable entries		See dimensions, page 9

Contact block characteristics

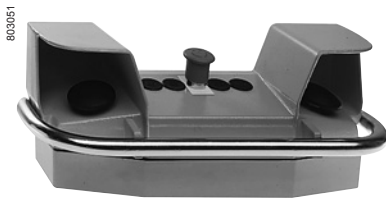
Rated operational characteristics	~ AC-15		A600 or Ue = 240 V and Ie = 3 A		
	--- DC-13		Q600 or Ue = 250 V and Ie = 0.27 A conforming to EN/IEC 60947-5-1 Appendix A		
Rated insulation voltage	Conforming to EN/IEC 60947-1	V	Ui = 600, degree of pollution 3		
	Conforming to UL 508 and CSA C22-2 n° 14	V	Ui = 600		
Rated impulse withstand voltage	Conforming to EN/IEC 60947-1	kV	Uimp = 6		
Contact operation	Slow break, with positive opening operation		N/C + N/O break before make on each black actuator pushbutton N/C + N/C simultaneous on Emergency stop pushbutton N/C + N/O break before make on Lock out pushbutton		
Positive operation	Conforming to EN/IEC 60947-5-1 Appendix K		N/C contact with positive opening operation		
Terminal referencing			Conforming to CENELEC EN 50013		
Short-circuit protection	Conforming to EN/IEC 269		10 A cartridge fuse type gG (gl)		
Connection	Screw clamp terminals	mm²	Minimum clamping capacity: 1 x 0.22 or 1 x 0.22 + 1 x 0.34 Maximum clamping capacity: 1 x 2.5 or 2 x 1.5		
Electrical durability Conforming to EN/IEC 60947-5-1 Appendix C Operating rate: 3600 operating cycles/hour. Load factor: 0.5	a.c. supply for 1 million operating cycles utilisation category AC-15	V	24	120	230
		A	4	3	2
	d.c. supply for 1 million operating cycles utilisation category DC-13	V	24	110	
		A	0.5	0.2	
Electrical reliability	Failure rate According to EN/IEC 60947-5-4		At 17 V and 5 mA, $\lambda < 10^{-8}$ At 5 V and 1 mA, $\lambda < 10^{-6}$		

(1) Using an appropriate and correctly connected control system.

Enabling movement

Two-hand ergonomic control stations

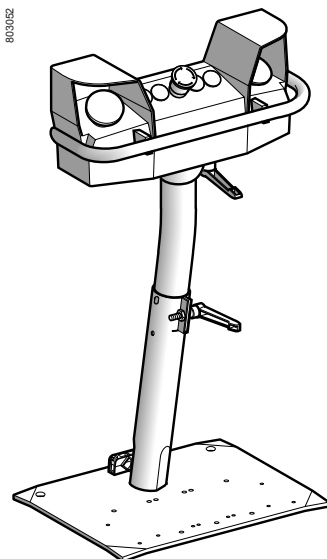
With Harmony XB4 B control units



XY2SB7●

Two-hand control stations - painted

Description	Mushroom head		Reference	Weight kg
	Function and colour	Contacts		
2 control pushbuttons with N/C + N/O break before make contacts and 1 mushroom head pushbutton	Emergency stop Red	N/C + N/C slow break	XY2SB71	4.000
	Lock out (Schalt Sperre) Yellow	N/C + N/O break before make		
2 control pushbuttons with N/C + N/O break before make contacts and 1 mushroom head pushbutton, with pre-wired terminal block	Emergency stop Red	N/C + N/C slow break	XY2SB72	4.000
	Lock out (Schalt Sperre) Yellow	N/C + N/O break before make		



XY2SB7●4

Kits (control station + pedestal)

Description	Mushroom head		Reference	Weight kg
	Function and colour	Contacts		
2 control pushbuttons and 1 mushroom head Emergency stop pushbutton + pedestal XY2 SB90	Emergency stop Red	N/C + N/C slow break	XY2SB714	17.000
	Emergency stop Red	N/C + N/C slow break		
2 control pushbuttons and 1 mushroom head Emergency stop pushbutton, with pre-wired terminal block + pedestal XY2 SB90	Emergency stop Red	N/C + N/C slow break	XY2SB724	17.000
	Emergency stop Red	N/C + N/C slow break		

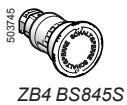
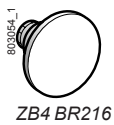
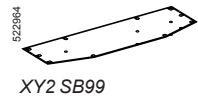
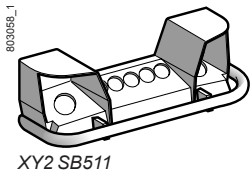
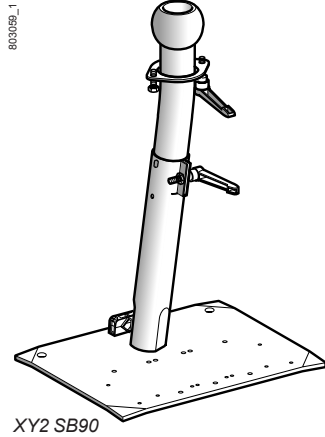
Documentation

Description	For use with	Reference	Weight kg
Installation manual	All control stations XY2 SB7●●	XCOM2514	0.200

Enabling movement

Two-hand ergonomic control stations

With Harmony XB4 B control units



Separate components and spare parts

Various accessories

Description	For use with	Colour	Unit reference	Weight kg
Metal pedestal adjustable height	XY2SB●●	Orange	XY2SB90	13.000
Collar for guard rail (welded fixing)	XY2SB90	Orange	XY2SB98	0.800
Control station top without control devices	–	Orange	XY2SB511	2.500
Control station base	–	Orange	XY2SB531	1.200
Double protective metal cover	Metal pedestal XY2SB90 and foot switches type XPE R	Orange	XY2SB96	4.370
Replacement handle (sold in lots of 5)	Metal pedestal XY2SB90	Black	XY2SB93	0.155
Replacement seals	–	–	XY2SB99	0.300
Adaptor (sold in lots of 5)	ISOM25	–	DE9RA2125	0.010
Fixing nut (sold in lots of 5)	Adaptor	–	DE9EC21	0.005

Control units (1)

Description	Component part	Colour	Reference	Weight kg
Pushbutton actuator	Ø 60 mm mushroom head	Black	ZB4BR216	0.095
	N/C + N/O body/contact assembly	–	ZB4BZ105	0.055
Emergency stop pushbutton	Ø 40 mm mushroom head	Red	ZB4BS844	0.060
	N/C + N/C body/contact assembly	–	ZB4BZ104	0.055
Lock out pushbutton	Ø 40 mm mushroom head	Yellow, marked "Schaltsperr"	ZB4BS845S	0.060
	N/C + N/O body/contact assembly	–	ZB4BZ105	0.055

(1) Other XB4B control and signalling units are suitable for use on the control stations. Please refer to our "Human Machine Interface catalogue".

Enabling movement

Two-hand ergonomic control stations

With Harmony XB4 B control units

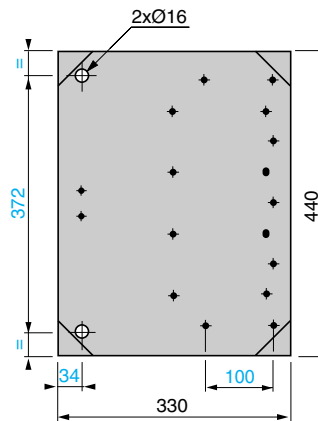
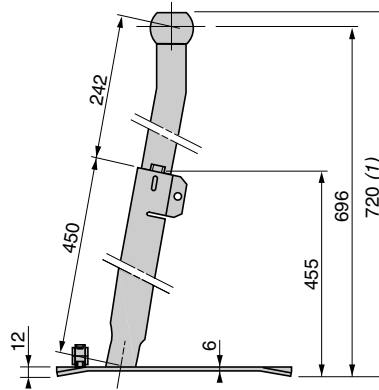
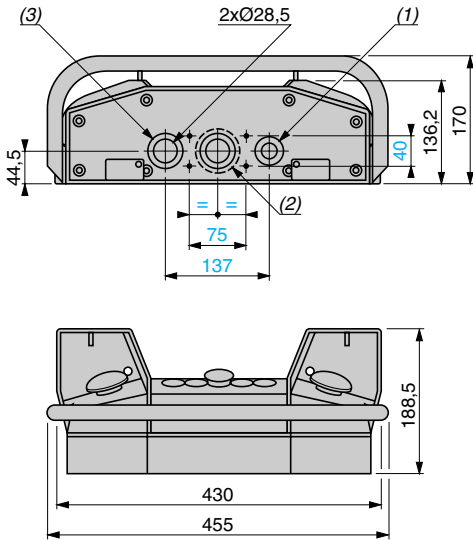
Dimensions

Control station

XY2 SB7●

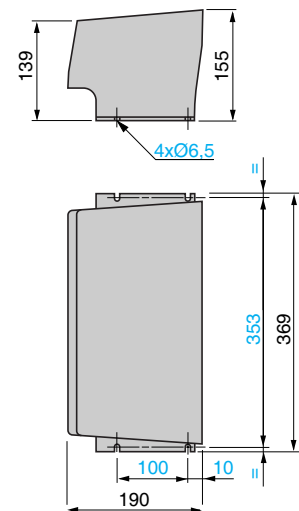
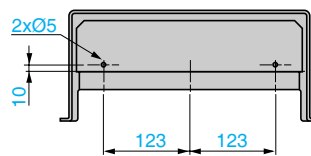
Pedestal

XY2 SB90



Double protective cover

XY2 SB96



(1) 2 plain holes for n° 13 (PG13.5) or ISO M20 cable gland.
 (2) Ø 56 mm knock-out specifically for mounting on pedestal.
 (3) 1 plain hole for n° 21 (PG21) cable gland. For ISO M25, use adaptator DE9 RA2125 and fixing nut DE9 EC21.

(1) Adjustable height of pedestal 720 to 1060 mm.

D	
DE9EC21	8
DE9RA2125	8

X	
XCOM2514	7
XY2SB511	8
XY2SB531	8
XY2SB71	7
XY2SB714	7
XY2SB72	7
XY2SB724	7
XY2SB75	7
XY2SB76	7
XY2SB90	8
XY2SB93	8
XY2SB96	8
XY2SB98	8
XY2SB99	8

Z	
ZB4BR216	8
ZB4BS844	8
ZB4BS845S	8
ZB4BZ104	8
ZB4BZ105	8
ZB4BZ105	8



More information on
<http://www.schneider-electric.com/machinesafety>

Schneider Electric Industries SAS

Head Office
35, rue Joseph Monier
F-92500 Rueil-Malmaison
France

The information provided in this documentation contains general descriptions and/or technical characteristics of the performance of the products contained herein. This documentation is not intended as a substitute for and is not to be used for determining suitability or reliability of these products for specific user applications. It is the duty of any such user or integrator to perform the appropriate and complete risk analysis, evaluation and testing of the products with respect to the relevant specific application or use thereof. Neither Schneider Electric nor any of its affiliates or subsidiaries shall be responsible or liable for misuse of the information contained herein.

Design: Schneider Electric
Photos: Schneider Electric