

# Protection Circuit protection iC60a circuit breakers, (curve C)



IEC/EN 60947-2  
IEC/EN 60898-1



- iC60a circuit breakers are multi-standard circuit breakers which combine the following functions:
  - circuit protection against short-circuit currents,
  - circuit protection against overload currents,
  - suitable for industrial isolation according to IEC/EN 60947-2, standard.
  - fault tripping indication by a red mechanical indicator in circuit breaker front face.

Alternating current (AC) 50/60 Hz			
Breaking capacity (Icu) according to IEC/EN 60947-2			Service breaking capacity (Ics)
Voltage (Ue)			
Ph/Ph (2P, 3P, 4P)	220 to 240 V	380 to 415 V	
Ph/N (1P)		220 to 240 V	100 % of Icu
Rating (In) 1 to 63 A	10 kA	6 kA	
Breaking capacity (Icn) according to IEC/EN 60898-1			
Voltage (Ue)			
Ph/Ph	400 V		
Ph/N	230 V		
Rating (In) 1 to 63 A	4500 A		

## Catalogue numbers

### iC60a circuit breaker

Type		1P	2P
Auxiliaries		Remote tripping and indication, module CA907000 and CA907002	Remote tripping and indication, module CA907000 and CA907002
Vigi iC60		Vigi iC60 add-on residual current device, module CA902005	Vigi iC60 add-on residual current device, module CA902005
Rating (In)	Quality label (1)	Curve C	Curve C
1 A		A9F64101	A9F64201
2 A		A9F64102	A9F64202
3 A		A9F64103	A9F64203
4 A		A9F64104	A9F64204
6 A		A9F64106	A9F64206
10 A		A9F64110	A9F64210
13 A		A9F64113	A9F64213
16 A		A9F64116	A9F64216
20 A		A9F64120	A9F64220
25 A		A9F64125	A9F64225
32 A		A9F64132	A9F64232
40 A		A9F64140	A9F64240
50 A		A9F64150	A9F64250
63 A		A9F64163	A9F64263
Width in 9-mm modules		2	4
Accessories		Module CA907000 and CA907001	Module CA907000 and CA907001

(1) Information to be provided by the country.

# Protection

## Circuit protection

### iC60a circuit breakers, (curve C) (cont.)

PB104433-40

**Insulated terminals IP20**

**Large circuit labelling area**

**Double clip for dismantling with comb busbar in place**

**Visi-trip window**  
 ■ Fault tripping is indicated by a red mechanical indicator on the front face

**Positive contact indication**  
 ■ Suitable for industrial isolation according to IEC/EN 60947-2 standard.  
 ■ The presence of the green strip guarantees physical opening of the contacts and allows operations to be performed on the downstream circuit in complete safety

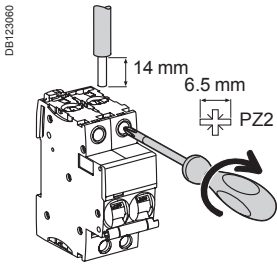
- Increased product service life thanks to:
  - overvoltage resistance by high level of industrial performances conception (pollution degree, rated impulse withstand voltage and insulation voltage),
  - high performance limitation (see limitation curves),
  - fast closing independent of the speed of actuation of the toggle.
- Remote indication, open/closed/tripped, by optional auxiliary contacts.
- Top or bottom electrical feeding.

3P	4P
Remote tripping and indication, module CA907000 and CA907002	Remote tripping and indication, module CA907000 and CA907002
Vigi iC60 add-on residual current device, module CA902005	Vigi iC60 add-on residual current device, module CA902005
Curve C	Curve C
A9F64301	A9F64401
A9F64302	A9F64402
A9F64303	A9F64403
A9F64304	A9F64404
A9F64306	A9F64406
A9F64310	A9F64410
A9F64313	A9F64413
A9F64316	A9F64416
A9F64320	A9F64420
A9F64325	A9F64425
A9F64332	A9F64432
A9F64340	A9F64440
A9F64350	A9F64450
A9F64363	A9F64463
6	8
Module CA907000 and CA907001	Module CA907000 and CA907001

# Protection Circuit protection

## iC60a circuit breakers, curve C) (cont.)

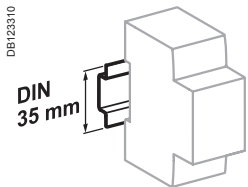
### Connection



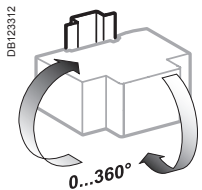
Rating	Tightening torque	Without accessory		With accessories			
		Rigid	Flexible or with ferrule	50 mm <sup>2</sup> Al terminal	Screw-on connection for ring terminal	Rigid cables	Flexible cables
1 to 25 A	2 N.m	DB1122945	DB1122946	DB1122945	DB118789	-	-
32 to 63 A	3.5 N.m			50 mm <sup>2</sup>	Ø 5 mm	3 x 16 mm <sup>2</sup>	3 x 10 mm <sup>2</sup>

### Technical data

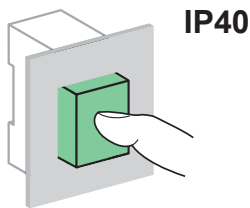
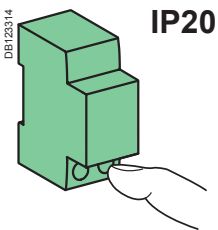
Main characteristics		
According to IEC/EN 60947-2		
Insulation voltage (U <sub>i</sub> )		500 V AC
Pollution degree		3
Rated impulse withstand voltage (U <sub>imp</sub> )		6 kV
Thermal tripping	Reference temperature	50 °C
	Temperature derating	See module CA908007
Magnetic tripping	C curve	8 I <sub>n</sub> ± 20 %
Utilization category		A
According to IEC/EN 60898-1		
Limitation class		3
Rated making and breaking capacity of an individual pole (I <sub>cn1</sub> )		I <sub>cn1</sub> = I <sub>cn</sub>
Additional characteristics		
Degree of protection (IEC 60529)	Device only	IP20
	Device in modular enclosure	IP40 Insulation class II
Endurance (O-C)	Electrical	10,000 cycles
	Mechanical	20,000 cycles
Overvoltage category (IEC 60364)		IV
Operating temperature		-35°C to +70°C
Storage temperature		-40°C to +85°C
Tropicalization (IEC 60068-1)		Treatment 2 (relative humidity 95 % to 55°C)



Clip on DIN rail 35 mm.



Indifferent position of installation.

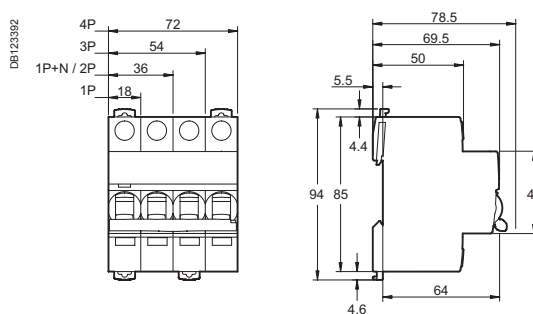


# iC60a circuit breakers, (curve C) (cont.)

## Weight (g)

Circuit-breaker	
Type	iC60a
1P	125
2P	250
3P	375
4P	500

## Dimensions (mm)



Protection  
Circuit protection

iC60a circuit breakers, (curve C) (cont.)



Indice	Date	Modification	Name
3.0	15/03/2017	New charte	Sonovision
2.1	9/11/2011	Add IMQ pictogram	Sedoc
1.0	21/09/2010	Creation	Sedoc