



Guaranteed distance-view information for more productivity

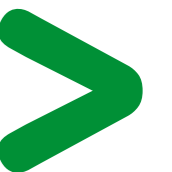
With the new pre-assembled and pre-cabled Harmony XVC, XVR and XVS ranges, Schneider Electric offers you much more than signalling solutions. Worldwide leader in Operator Dialogue components, we provide you with a guarantee:

- guaranteed solutions for any application
- guaranteed reliability in any situation
- guaranteed time saving

Contents

Presentation	2
Selection guide	4
Monolithic tower lights Harmony XVC	
Presentation, description	6
Characteristics	7
References	9
Dimensions	12
Rotating mirrors Harmony XVR	
Presentation, characteristics	16
References	17
Dimensions, schemes	18
Sirens and alarms Harmony XVS	
Presentation, description	20
References, dimensions	21

Make the most of your energy



> Guaranteed solutions for any application

A complete offer

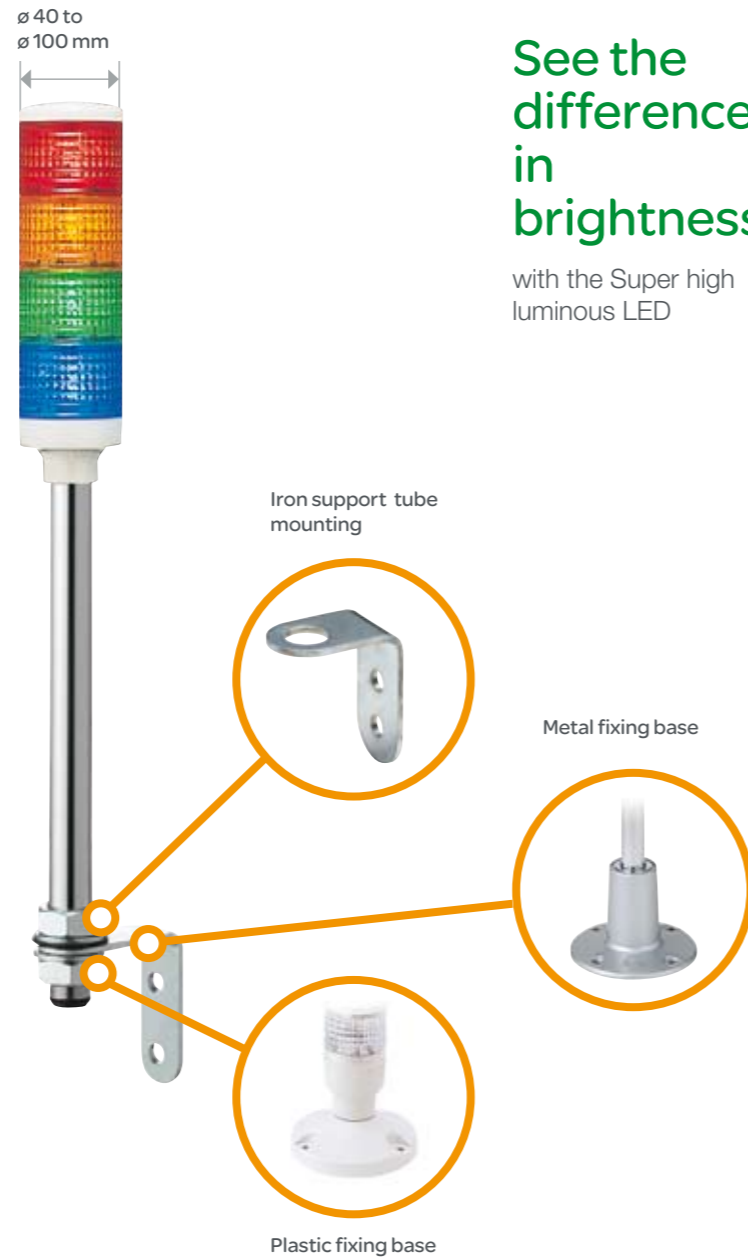
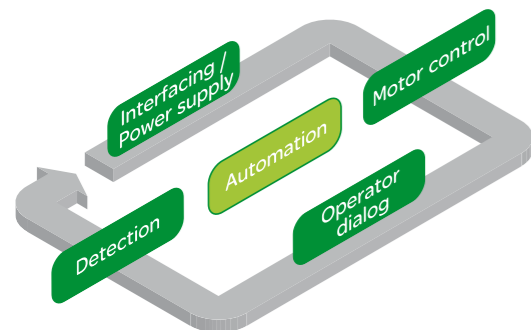
Featuring numerous styles, sounds, diameters (Ø 40 to Ø 130 mm) and fixing methods, the Harmony tower light, sound solutions and rotating mirror beacon ranges respond to all your signalling needs.

Tailor-made

We can produce tailor-made products to suit your specific requirements.

A unique partner, a global presence

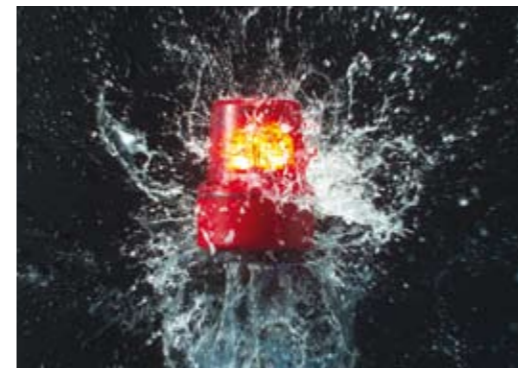
You can be sure to find all the product necessary to automate your applications.



See the difference in brightness

with the Super high luminous LED

> Guaranteed reliability in any situation



Tested and certified performance

- Energy saving design with low power consumption
- High resistance of LEDs to mechanical shock and vibration
- Dust-proof and splash-proof construction (up to IP 66).

In conformity with:

- CE marking and IEC/EN standard, UL, UR
- the requirements of the RoHS (Restriction of Hazardous Substances) European Directive.

+100 000
hours life

without maintenance due to LED technology

100 %
RoHS

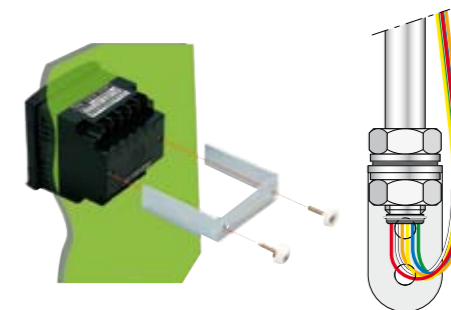
> Guaranteed time saving

Simplicity and speed of installation

- Complete and pre-cabled products, ready to use and install
- Simple and safe fixing

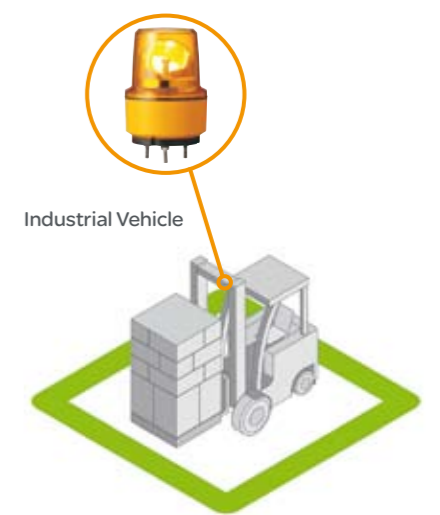
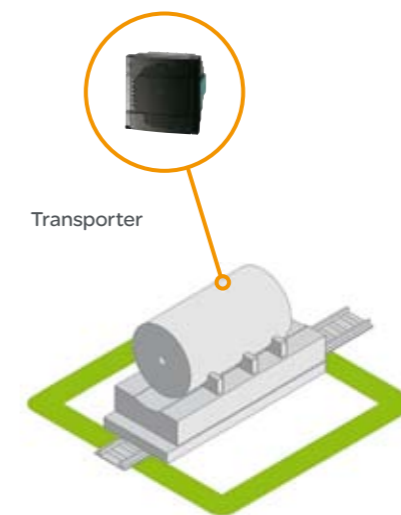
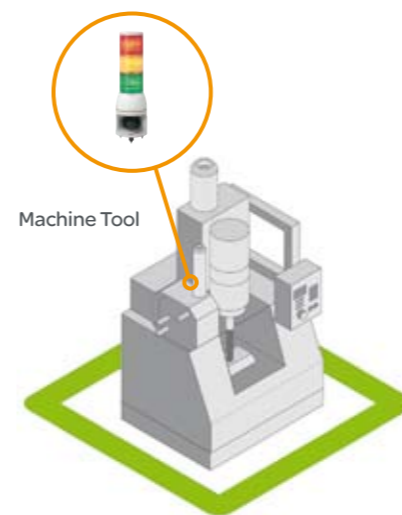
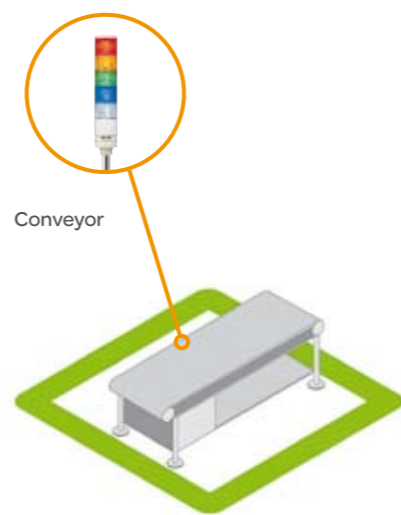
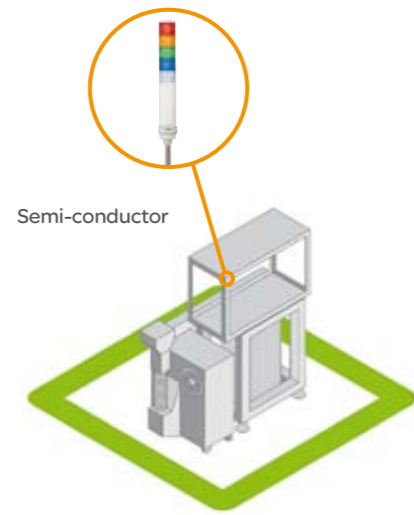
Worldwide availability

Present in 102 countries, Schneider Electric assures service and availability of Harmony products to suit your needs wherever you are.



100 %
worldwide availability

A selection of products used in the most frequent applications



	Monolithic Tower lights			
	XVC 4	XVC 6	XVC 1	XVC 1H
Dimensions	40 mm	60 mm	100 mm	
Features	Complete and pre-wired			
Base Mount	Support tube or base mounting		Base mounting	
Light Source	LEDs			
IP degree	IP 54			
Colours of illuminated units / options	Red			
	Orange			
	Green			
	Blue		-	
	Clear		-	
Voltages	24V AC/DC, 100 – 240V AC		24V DC, 100 – 240V AC	
Type of illuminating effect	Steady or Steady/Flashing			
Buzzer / Siren	Buzzer (up to 2 tones)		Siren	
Melodies	-		16	
Sound Level (dB)	70 to 85	60 to 85	0 to 102	
Standards / Certifications	CE (UL, CSA and Gost in progress)			

	Sound solutions			
	XVS 72	XVS 96	XVS 10	XVS 14
Dimensions	72 mm	96 mm	Ø 114 mm	140 mm
Features	-	-	Pre-wired	
Base Mount	Din72 Panel Mount	Din96 Panel Mount	Bracket	
Light Source	-		-	
IP degree	IP 54		IP 53	
Colours of illuminated units / options	Black		White	
	White		-	
	-		-	
	-		-	
	-		-	
Voltages	12 /24V AC/DC		12 /24V AC/DC 120 & 230V AC	12 /24V DC 120 & 240V AC
Type of illuminating effect	-			
Buzzer / Siren	-		2 tones	-
Melodies	16		-	43
Sound Level (dB)	0 to 90	0 to 96	0 to 106	0 to 105
Standards / Certifications	CE (UL, CSA and Gost in progress)			

	Rotating mirrors				
	XVR 08	XVR 10	XVR 12	XVR 13	XVR 13L
Dimensions	84 mm	106 mm	120 mm	130 mm	
Features	Pre-wired				
Base Mount	3 x M4		3 x M5	3 x M8	3 x M6
Light Source	Super-bright LED				
IP degree	IP23 (IP65)	IP23 (IP55)	IP23	IP 66 Resistant to vibration	IP66 and IP67
Colours of illuminated units / options	Red				
	Orange				
	Green		-		
	Blue		-		
	-				
Voltages	12 /24V AC/DC			12/24V DC	24V AC/DC 120/230V AC
Type of illuminating effect	Rotating				
Buzzer / Siren	-		Up to 4 tones	-	
Melodies	-				
Sound Level (dB)	-		Up 50 to 90	-	
Standards / Certifications	CE (UL, CSA and Gost in progress)				