

QMB Fusible Panelboards

Catalog
4620CT9601R07/15
07/2015
Class 4620



CONTENTS

Description	Page
Overview	Page 3
QMB Switches	Page 7
QMJ Fusible Switches	Page 14
QMB Circuit Breaker Units	Page 17
QMB SurgeLogic™ TVSS Devices	Page 19



by Schneider Electric

Overview

Square D™ brand QMB fusible power distribution panelboards are for use on AC or DC systems. They are UL® Listed under File E6294 and File E33139 and marked cULus.



QMB Panelboard Main Lugs and Solid Neutral Compartment

Features

QMB panelboards are engineered with the following features:

- Main Lugs ratings 100–1200 A
- Main Fusible Switch ratings 100–800 A
- Main lugs or main switch interiors are suitable for top or bottom feed
- Main switch factory-mounted on bus assembly (cannot back-feed branch switch)
- Main lugs and solid neutral mounted in same compartment
- Bolted cover isolates main lugs compartment from branch switches
- Type 1 enclosures are 38.00 inches wide by 11.5 inches deep
- Type 3R/12 enclosures are 38.89 inches wide by 14.90 inches deep

Service Entrance Equipment

The following are suitable for use as service entrance equipment:

- All main fusible switch panelboards (Canadian Service Entrance solutions are not available)
- All main lug panelboards with six disconnects or less.
- A solid neutral that is insulated, but may be bonded to the box with a ground strap.

Fuses

QMB switches are designed to accept the following fuse classes:

- QMB Switch rated 30–600 A — Class H, R, or J fuses
- QMB Switch rated 601–800 A — Class L fuses
- QMB Switch rated 400–800 A — Class T fuses
- QMJ Switch rated 30–600 A — Class J fuses only



QMB Panelboard Main Switch and Solid Neutral Compartment

QMB Fusible Panelboards

Overview

Standards

QMB fusible panelboards are designed, manufactured and tested to meet the requirements of the latest revisions of the following standards:

- UL 50; Enclosures for Electrical Equipment
- UL 67; Standard for Panelboards
- CSA C22.2, No. 29-1989; Panelboards and Enclosed Panelboards
- NEMA PB 1; Panelboards
- NFPA 70; National Electrical Code (NEC)
- Federal Specification W-P115C Type II Class 1; Fusible Switch Panelboards
- International Building Code (IBC), NFPA 5000, ASCE/SE17 - Seismically Qualification

QMB Fusible Switch Units

- UL 98; Enclosed and Deadfront Switches. UL Listed File E34358
- NEMA KS1; Enclosed Switches
- Federal Specification WC-865C; Fusible Switches
- CSA; File LL-48755

QMJ Fusible Switch Units

- UL 98; Enclosed and Deadfront Switches. UL Listed File E34358
- NEMA KS1; Enclosed Switches
- Federal Specification WC-865C; Fusible Switches
- CSA; File LR-48755

QMB Circuit Breaker Units

- UL 50; Enclosed for Electrical Equipment. UL Listed File E34358
- UL489; Molded Case Circuit Breakers
- NEMA AB1; Molded Case Circuit Breakers and Molded Case Switches
- Federal Specification WC-375B/Gen; Molded Case Circuit Breakers
- CSA; File 048755

Service

- 1 ϕ 2W, 240 Vac
- 1 ϕ 3W, 120/240 Vac
- 3 ϕ 3W, 240 Vac
- 3 ϕ 3W, 240 Vac corner ground delta
- 3 ϕ 4W, 208Y/120 Vac
- 3 ϕ 4W, 480Y/277 Vac
- 3 ϕ 3W, 480 Vac
- 3 ϕ 4W, 600Y/347 Vac
- 3 ϕ 3W, 600 Vac
- 2W, 250 Vdc
- 3W, 125/250 Vdc

Enclosure Types

Type 1 Enclosure

- Fronts; Standard, four-piece, without door with gray-baked enamel finish (ANSI 49)
- Enclosure; with removable endwalls with knockouts.

Type 2 Enclosures

- Type 1 with driphood

Type 3R, 5, and 12 Enclosures

- Gasketed door with keyed vault handle
- Self-adhesive directory card holder
- Gray-baked enamel finish (ANSI 49)
- No knockouts

Table 1: Enclosure Options

NEMA Type	Environment	Provides Protection Against
Type 1	Indoor	Contact with the enclosed equipment
Type 2	Indoor	Type 1, plus: • Dripping / light splashing of non-corrosive liquids
Type 3R	Outdoor	Type 2, plus: • Rain, snow, and sleet
Type 5	Indoor	Type 2, plus: • Settling airborne dust, lint, fibers, and flyings
Type 12	Indoor	Type 2, plus: • Circulating dust, lint, fibers, and flyings • Settling airborne dust, lint, fibers, and flyings • Oil and coolant seepage

QMB Fusible Panelboards Overview

Table 2: Main Lug Interior—Mechanical and Compression Lug Data (Lugs Suitable for 75 °C Conductors)

Mechanical Lugs				VCEL Compression Lugs				
Mains Rating	Conductors / Phase	Wire Bending Space Range ▲	Lug Wire Range (AWG/kcmil)	Conductors / Phase	Wire Bending Space Range ▲	Catalog Number	Lug Wire Range (AWG/kcmil)	Adaptor Kit
225 A	2	(1) 3/0-750 (1) 3/0-500	(1) 3/0-750 and (1) 3/0-500	2	(1)2/0-750 and (1) 2/0-500	(2)VCEL050-12H1 (1) VCEL050-12H1 (1) VCEL075-12H1	2/0-500 Al or Cu, or 500-750	—
400 A	2	(1) 3/0-750 (1) 3/0-500	(1) 3/0-750 and (1) 3/0-500	2	(1)2/0-750 and (1) 2/0-500	(2)VCEL050-12H1 (1) VCEL050-12H1 (1) VCEL075-12H1	2/0-500 Al or Cu, or 500-750	—
600 A	2	(1) 3/0-750 (1) 3/0-500	(1) 3/0-750 and (1) 3/0-500	2	(1)2/0-750 and (1) 2/0-500	(2)VCEL050-12H1 (1) VCEL050-12H1 (1) VCEL075-12H1	2/0-500 Al or Cu, or 500-750	—
800 A	2 or 3	3/0-500 Al or Cu, or 3/0-750 Al or Cu	3/0-750 Al or Cu	3	2/0-500 Al or Cu	VCEL050-12H1 VCEL075-12H1	2/0-500 Al or Cu, or 500-750 Al	QMB8CLA
1200 A	3 or 4	3/0-500 Al or Cu, or 3/0-750 Al or Cu	3/0-750 Al or Cu	4	2/0-500 Al or Cu	VCEL050-12H1 VCEL075-12H1	2/0-500 Al or Cu, or 500-750 Al	QMB12CLA

▲ Per NEC Table 373-6 (AWG/kcmil).

Table 3: Main Switch Interior—Mechanical and Compression Lug Data (Lugs Suitable for 75 °C Conductors)

Mechanical Lugs				VCEL Compression Lugs			
Mains Rating	Conductors / Phase	Wire Bending Space Range ▲	Lug Wire Range (AWG/kcmil)	Conductors / Phase	Wire Bending Space Range ▲	Catalog Number	Lug Wire Range (AWG/kcmil)
200 A	1	#6-300 Al or Cu	#6-300 Al or Cu	1	#4-300 Al or Cu	VCEL030-516H1	#4-300 Al or Cu
400 A	2	3/0-600 Al or Cu	3/0-600 Al or Cu	2	2/0-600 Al or Cu	VCEL050-12H1 VCEL060-12H1 VCEL075-12H1	2/0-500 Al or Cu, or 400-600 Al or Cu, or 500-750 Al
600 A	2	3/0-600 Al or Cu	3/0-600 Al or Cu	2	2/0-500 Al or Cu	VCEL050-12H1	3/0-500 Al or Cu
800 A	3	3/0-500 Al or Cu	3/0-600 Al or Cu	3	3/0-500 Al or Cu	VCEL050-12H1 VCEL075-12H1	2/0-500 Al or Cu, or 500-750 Al

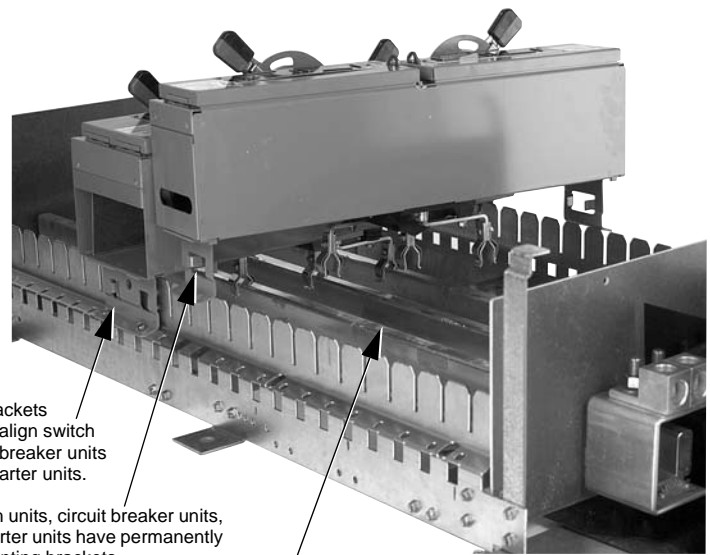
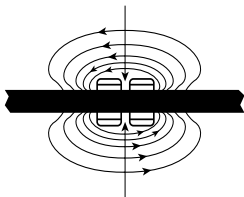
▲ Per NEC Table 373-6 (AWG/kcmil).

High-strength, glass-reinforced polyester bus supports. Mounting 30–800 A switch units, 15–400 A circuit breaker units, and NEMA size 0–3 motor starter units require only a screwdriver.

The integrated equipment short circuit current rating of the QMB panelboard is equal to the lowest short circuit or interrupting capacity rating, at the supply voltage of the installed circuit breaker or motor starter. The rating is a maximum of 200,000 rms symmetrical amperes at 600 Vac.

Blow-on Connections

All main or branch unit-to-bus bar connections are “blow-on” type. Under high level short circuit conditions, the magnetic forces developed tend to draw the connector jaws together, gripping the QMB bus bar more firmly.



Mounting brackets support and align switch units, circuit breaker units and motor starter units.

Fusible switch units, circuit breaker units, and motor starter units have permanently attached mounting brackets.

Extruded bus provides high mechanical strength.

QMB Bus Structure and Branch Unit Mounting

QMB Switches

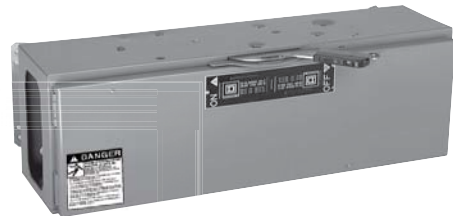
QMB switches are designed for use in panelboards and switchboards to provide a means for disconnecting a load from its source, open and close a circuit, and to provide overcurrent and short circuit protection.

30–100 A Fusible Twin Switch Units—UL Listed Ratings

- 600 Vac maximum
- 250 Vdc maximum—2-pole construction only
- 30–100 A twin-mounted switch units
- For use with Class H, R, or J fuses
- UL Listed for use on systems with up to 200,000 rms symmetrical amperes available fault current when used with Class R fuses, and the appropriate Class R fuse kit installed, or Class J fuses installed.



Typical QMB Fusible Twin Switch Unit



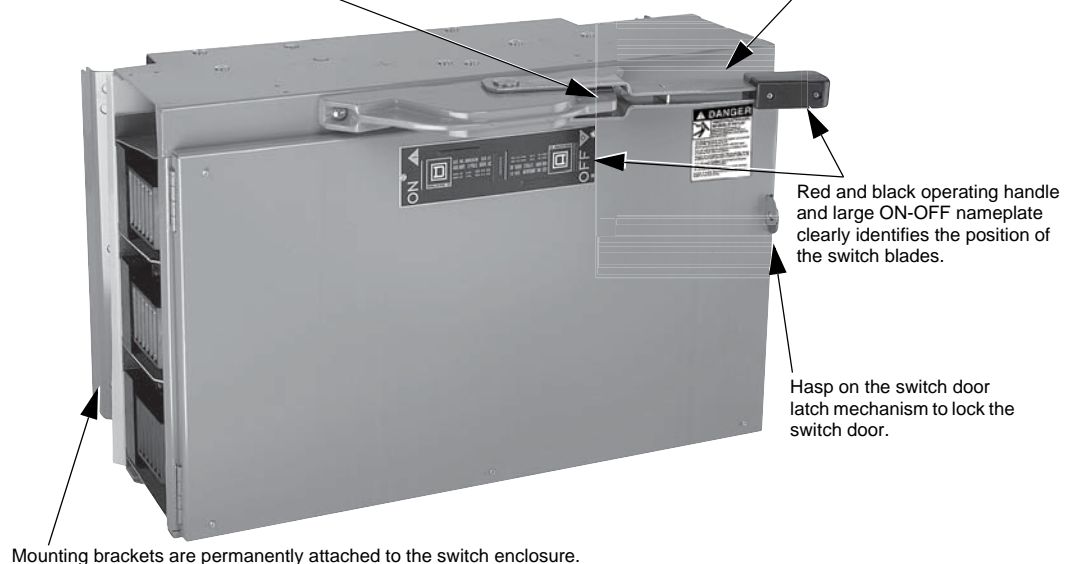
Typical QMB Fusible Single Switch Unit

200–800 A Fusible Single Switch Units—UL Listed Ratings

- 600 Vac maximum
- 250 Vdc maximum—2-pole construction only
- For use with Class H, R, J, L, or 600 Vac Class T fuses
- UL Listed for use on systems with up to 200,000 rms symmetrical amperes available fault current with Class R fuses, and the appropriate Class R fuse kit installed, or Class J, L, or T fuses installed.

Positive lock-off means with provisions for three 3/8-inch shackle padlocks.

Dual-cover interlock



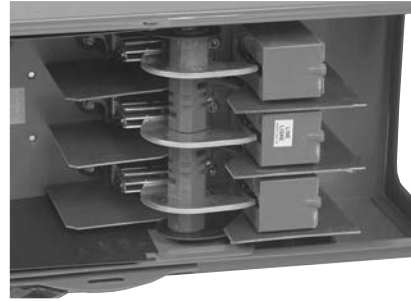
Features of a Typical QMB Switch

QMB Fusible Panelboards

QMB Switches

Visible Blades

- 30–800 A QMB switches
- Provides positive identification of the position of the switch blades



Visible Blades

Class R Fuse Kits

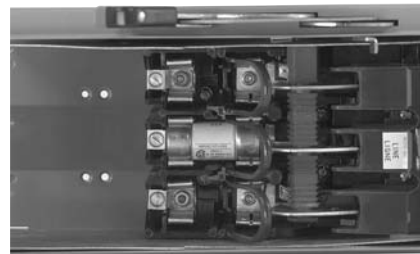
- 30–600 A QMB switches
- With kit installed, the QMB switch accepts only Class R fuses
- Available for field installation



Class R Fuse Kits

Class J Fuse Provisions

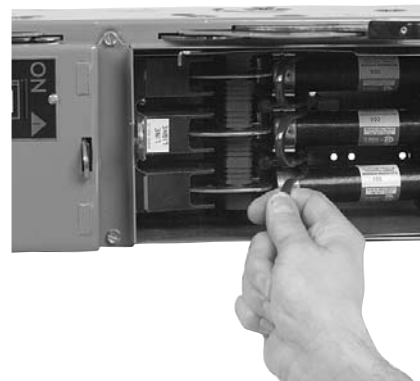
- 30–600 A QMB switches only, 600 Vac maximum
- For field modification, move load-side base to position indicated in switch



Class J Fuse Provisions

Fuse Pullers

- 30–100 A QMB switches only
- Convenient aid for removing fuses



Fuse Pullers

Versa-Crimp® Lugs

- 100–800 A QMB switches only
- Available for field installation
- Accepts either Cu or Al wire



Versa-Crimp Lugs (installed)



Versa-Crimp Lugs

Electrical Interlocks

- 30–200 A QMB switches only
- For use on motor control circuits or auxiliary functions
- Available for field installation



Electrical Interlocks

QMB Fusible Panelboards

QMB Switches

Application Data

Table 4: QMB Branch Switch Units

Unit Ampere Rating	Unit Height in. (mm)	Catalog Number	Class R Fuse Kits		Electrical Interlock Kit	Horsepower Ratings												
			No. Kits Req.	Catalog Number	Catalog Number ▲	240 Vac				480 Vac				600 Vac				250 Vdc
						Std.		Max.		Std.		Max.		Std.		Max.		
						1φ	3φ	1φ	3φ	1φ	3φ	1φ	3φ	1φ	3φ	1φ	3φ	
2-Pole, 240 Vac, 250 Vdc																		
30-30	4.5 (114)	QMB221TW	2	HRK30	QMB300EK-(1 or 2)	1½	3	3	7½	—	—	—	—	—	—	—	5	
30-Blank		QMB221HW■	1			—	—	—	—	—	—	—	—	—	—	—	—	—
60-60	4.5 (114)	QMB222TW	1	QMB36R	QMB300EK-(1 or 2)	3	7½	10	15	—	—	—	—	—	—	—	10	
60-Blank		QMB222HW■				—	—	—	—	—	—	—	—	—	—	—	—	—
100-100	6 (152)	QMB223TW	1	QMB100R	QMB610EK-(1 or 2)	7½	15	15	30	—	—	—	—	—	—	—	20	
100-Blank		QMB223HW■				—	—	—	—	—	—	—	—	—	—	—	—	—
200	9 (229)	QMB224W	1	HRK1020	QMB200EK-(1 or 2)	—	25	15	60	—	—	—	—	—	—	—	40	
400	15 (381)	QMB225W	1	QMB4060R	—	—	—	—	—	—	—	—	—	—	—	—	—	
	9 (229)	QMB225WT3◆	—	—	—	—	—	—	—	—	—	—	—	—	—	—	—	
600	Use 3-pole devices for 2-pole application.				—	—	—	—	—	—	—	—	—	—	—	—	—	
3-Pole, 240 Vac																		
30-30	4.5 (114)	QMB321TW	2	HRK30	QMB300EK-(1 or 2)	—	3	—	7½	—	—	—	—	—	—	—	—	
30-Blank		QMB321HW■	1			—	—	—	—	—	—	—	—	—	—	—	—	—
60-60	4.5 (114)	QMB322TW	1	QMB36R	QMB300EK-(1 or 2)	—	7½	—	15	—	—	—	—	—	—	—	—	
60-Blank		QMB322HW■				—	—	—	—	—	—	—	—	—	—	—	—	—
100-100	6 (152)	QMB323TW	1	QMB100R	QMB610EK-(1 or 2)	—	15	—	30	—	—	—	—	—	—	—	—	
100-Blank		QMB323HW■				—	—	—	—	—	—	—	—	—	—	—	—	—
200	9 (229)	QMB324W	1	HRK1020	QMB200EK-(1 or 2)	—	25	—	60	—	—	—	—	—	—	—	—	
400	15 (381)	QMB325W	1	QMB4060R	—	—	50	—	125	—	—	—	—	—	—	—	—	
	9 (229)	QMB325WT3◆	—	—	—	—	50	—	—	—	—	—	—	—	—	—	—	
600	15 (381)	QMB326W	1	QMB4060R	—	—	75	—	150	—	—	—	—	—	—	—	—	
	15 (381)	QMB326WT3◆	—	—	—	—	75	—	—	—	—	—	—	—	—	—	—	
800	15 (381)	QMB327WT3◆	—	—	—	—	75	—	—	—	—	—	—	—	—	—	—	
2-Pole, 600 Vac, 250 Vdc ★																		
30-30	4.5 (114)	QMB261TW	1	QMB36R	QMB300EK-(1 or 2)	1½	—	3	—	3	5	7½	15	3	—	10	—	5
30-Blank		QMB261HW■				—	—	—	—	—	—	—	—	—	—	—	—	—
60-60	6 (152)	QMB262TW	1	QMB60R	QMB610EK-(1 or 2)	3	—	10	—	5	15	20	30	10	—	25	—	10
60-Blank		QMB262HW■				—	—	—	—	—	—	—	—	—	—	—	—	—
100-100	7.5 (191)	QMB263TW	2	HRK1020	QMB610EK-(1 or 2)	7½	—	15	—	10	25	30	60	15	—	40	—	20
100-Blank		QMB263HW■	1			—	—	—	—	—	—	—	—	—	—	—	—	—
200	9 (229)	QMB264W	1	HRK1020	QMB200EK-(1 or 2)	15	—	—	—	25	50	50	125	30	—	50	—	40
400	Use 3-pole devices for 2-pole application.				—	—	—	—	—	—	—	—	—	—	—	—	—	—
600▼	Use 3-pole devices for 2-pole application.				—	—	—	—	—	—	—	—	—	—	—	—	—	—

QMB Fusible Panelboards QMB Switches

Table 4: QMB Branch Switch Units (continued)

Unit Ampere Rating	Unit Height in. (mm)	Catalog Number	Class R Fuse Kits		Electrical Interlock Kit	Horsepower Ratings												250 Vdc
			No. Kits Req.	Catalog Number	Catalog Number ▲	240 Vac				480 Vac				600 Vac				
						Std.		Max.		Std.		Max.		Std.		Max.		
						1φ	3φ	1φ	3φ	1φ	3φ	1φ	3φ	1φ	3φ	1φ	3φ	
3-Pole, 600 Vac ★																		
30-30	4.5 (114)	QMB361TW	7½	QMB36R	QMB300EK-(1 or 2)	—	3	—	7½	—	5	—	15	—	7½	—	20	—
30-Blank		QMB361HW■				—	—	—	—	—	—	—	—	—	—	—	—	—
60-60	6 (152)	QMB362TW	1	QMB60R	QMB610EK-(1 or 2)	—	7½	—	15	—	15	—	30	—	15	—	50	—
60-Blank		QMB362HW■	7½			—	—	—	—	—	—	—	—	—	—	—	—	—
60-30	6 (152)	QMB362T21W △	1 ea.	QMB60R and QMB36R	QMB610EK-(1 or 2)	—	7½	—	15	—	15	—	30	—	15	—	50	—
100-100	7.5 (191)	QMB363TW	2	HRK1020	QMB610EK-(1 or 2)	—	15	—	30	—	25	—	60	—	30	—	75	—
100-Blank		QMB363HW■	1			—	—	—	—	—	—	—	—	—	—	—	—	—
100-30	7.5 (191)	QMB363T31W △	1 ea.	HRK1020 and QMB36R	QMB610EK-(1 or 2)	—	15	—	30	—	25	—	60	—	30	—	75	—
100-60	7.5 (191)	QMB363T32W △	1 ea.	HRK1020 and QMB60R	QMB610EK-(1 or 2)	—	15	—	30	—	25	—	60	—	30	—	75	—
200	9 (229)	QMB364W	1	HRK1020	QMB200EK-(1 or 2)	—	25	—	60	—	50	—	125	—	60	—	150	—
400	15 (381)	QMB365W□	1	QMB4060R	—	—	—	—	—	—	100	—	250	—	125	—	350	50
	9 (229)	QMB365WT6◇	—	—	—	—	50	—	—	—	100★	—	—	—	125	—	—	—
600▼	15 (381)	QMB366W□	1	QMB4060R	—	—	—	—	—	—	150	—	400	—	250	—	500	—
800▽	15 (381)	QMB367W	—	—	—	—	—	—	—	—	150	—	400	—	250	—	500	—

▲ “-1” indicates one normally open and one normally closed contact. “-2” indicates two normally open and two normally closed contacts.

■ Blank units cannot be modified to accept a switch interior.

◆ Use 300 Vac Class T fuses only.

★ Class J fuse provisions—to field modify switch, move load side fuse base to positions indicated in switch. Not available on 100-30, 100-60, or 800 A switch units.

▼ To adapt switch for 600 Vac Class T fuses, order kit Catalog Number QMB600T6. (Use T6 fuses with standard horsepower ratings only.)

△ See corresponding standard switch for horsepower ratings.

□ 250 Vdc rating.

◇ Use 600 Vac Class T fuses only.

☆ Horsepower rating applicable to 480Y/277 V system only.

▽ To adapt switch for 600 Vac Class T fuses, order kit Catalog Number QMB800T6. (Use T6 fuses with standard horsepower ratings only.)

QMB Fusible Panelboards

QMB Switches

Table 5: QMB Branch Switches Optional Lugs

QMB Switches		Aluminum Mechanical		Copper Mechanical		Aluminum Crimp		Copper Crimp	
Amp	Catalog No.	Standard Lug	Wire Range (AWG/kcmil)	Optional Lug	Wire Range (AWG/kcmil)	Optional Lug	Wire Range (AWG/kcmil)	Optional Lug	Wire Range (AWG/kcmil)
2-Pole, 240 Vac, 250 Vdc									
30	QMB221TW	40251-016-51	#12-#2	40256-034-50	#14-#4	Not Available	—	Not Available	—
	QMB221HW								
60	QMB222TW	40251-016-51	#12-#2	40256-034-50	#14-#4	Not Available	—	Not Available	—
	QMB222HW								
100	QMB223TW	Not Replaceable	#12-1/0	Not Available	—	Not Available	—	Not Available	—
	QMB223HW								
200	QMB224W	40251-162-50	#6-300	40560-270-50	#6-250	VCEL030516H1	#4-300	VCELC03038H1	2/0-300
400	QMB225W	(2) 40251-287-50	3/0-600	Not Available	—	(2) VCEL05012H1	2/0-500	(2) VCELC05012H1	250-500
	QMB225WT3	Not Replaceable	#1-600			(2) VCEL07512H1	500-750	(2) VCELC07512H1	400-750
						Not Available	—	Not Available	—
3-Pole, 240 Vac									
30	QMB321TW	40251-016-51	#12-#2	40256-034-50	#14-#4	Not Available	—	Not Available	—
	QMB321HW								
60	QMB322TW	40251-016-51	#12-#2	40256-034-50	#14-#4	Not Available	—	Not Available	—
	QMB322HW								
100	QMB323TW	Not Replaceable	#12-1/0	Not Available	—	Not Available	—	Not Available	—
	QMB323HW								
200	QMB324W	40251-162-50	#6-300	40560-270-50	#6-250	VCEL030516H1	#4-300	VCELC03038H1	2/0-300
400	QMB325W	(2) 40251-287-50	3/0-600	Not Available	—	(2) VCEL05012H1	2/0-500	(2) VCELC05012H1	250-500
	QMB325WT3	Not Replaceable	#1-600			(2) VCEL07512H1	500-750	(2) VCELC07512H1	400-750
						Not Available	—	Not Available	—
600	QMB326W	(2) 40251-287-50	3/0-600	Not Available	—	(2) VCEL05012H1	2/0-500	(2) VCELC05012H1	250-500
	QMB326WT3	Not Replaceable	(2) 3/0-600			(2) VCEL07512H1	500-750	(2) VCELC07512H1	400-750
						Not Available	—	Not Available	—
800	QMB327WT3	(3) 40251-287-50	3/0-600	Not Available	—	(3) VCEL05012H1	2/0-500	(3) VCELC05012H1	250-500
						(3) VCEL07512H1	500-750	(3) VCELC07512H1	400-750
100-30	QMB363T31W	40251-018-50	#12-1/0	40256-014-50	#14-1/0	VCEL02114S1	#8-1/0	VCELC02114S1	#6-1/0
		40251-016-51	#12-#2	40256-034-50	#14-#4	Not Available	—	Not Available	—
100-60	QMB363T32W	40251-018-50	#12-1/0	40256-014-50	#14-1/0	VCEL02114S1	#8-1/0	VCELC02114S1	#6-1/0
		40251-016-51	#12-#2	40256-034-50	#14-#4	Not Available	—	Not Available	—
200	QMB364W	40251-162-50	#6-300	40560-270-50	#6-250	VCEL030516H1	#4-300	VCELC03038H1	2/0-300
400	QMB365W	(2) 40251-287-50	3/0-600	Not Available	—	(2) VCEL05012H1	2/0-500	(2) VCELC05012H1	250-500
	QMB365WT6	Not Replaceable	(2) 3/0-600			(2) VCEL07512H1	500-750	(2) VCELC07512H1	400-750
						Not Available	—	Not Available	—
600	QMB366W	(2) 40251-287-50	3/0-600	Not Available	—	(2) VCEL05012H1	2/0-500	(2) VCELC05012H1	250-500
800	QMB367W	(3) 40251-287-50	3/0-600	Not Available	—	(3) VCEL05012H1	2/0-500	(2) VCELC05012H1	250-500
						(3) VCEL07512H1	500-750	(2) VCELC07512H1	400-750

QMB Fusible Panelboards QMB Switches

Table 5: QMB Branch Switches Optional Lugs (continued)

QMB Switches		Aluminum Mechanical		Copper Mechanical		Aluminum Crimp		Copper Crimp	
Amp	Catalog No.	Standard Lug	Wire Range (AWG/kcmil)	Optional Lug	Wire Range (AWG/kcmil)	Optional Lug	Wire Range (AWG/kcmil)	Optional Lug	Wire Range (AWG/kcmil)
2-Pole, 600 Vac, 250 Vdc									
30	QMB261TW	40251-016-51	#12-#2	40256-034-50	#14-#4	Not Available	—	Not Available	—
	QMB261HW								
60	QMB262TW	40251-016-51	#12-#2	40256-034-50	#14-#4	Not Available	—	Not Available	—
	QMB262HW								
100	QMB263TW	40251-018-50	#12-1/0	40256-014-50	#14-1/0	VCEL02114S1	#8-1/0	VCELC02114S1	#6-1/0
	QMB263HW								
200	QMB264W	40251-162-50	#6-300	40560-270-50	#6-250	VCEL030516H1	#4-300	VCELC03038H1	2/0-300
3-Pole, 600 Vac									
30	QMB361TW	40251-016-51	#12-#2	40256-034-50	#14-#4	Not Available	—	Not Available	—
	QMB361HW								
60	QMB362TW	40251-016-51	#12-#2	40256-034-50	#14-#4	Not Available	—	Not Available	—
	QMB362HW								
60-30	QMB362T21W	40251-016-51	#12-#2	40256-034-50	#14-#4	Not Available	—	Not Available	—
100	QMB363TW	40251-018-50	#12-1/0	40256-014-50	#14-1/0	VCEL02114S1	#8-1/0	VCELC02114S1	#6-1/0
	QMB363HW								
100-30	QMB363T31W	40251-018-50	#12-1/0	40256-014-50	#14-1/0	VCEL02114S1	#8-1/0	VCELC02114S1	#6-1/0
		40251-016-51	#12-#2	40256-034-50	#14-#4	Not Available	—	Not Available	—
100-60	QMB363T32W	40251-018-50	#12-1/0	40256-014-50	#14-1/0	VCEL02114S1	#8-1/0	VCELC02114S1	#6-1/0
		40251-016-51	#12-#2	40256-034-50	#14-#4	Not Available	—	Not Available	—
200	QMB364W	40251-162-50	#6-300	40560-270-50	#6-250	VCEL030516H1	#4-300	VCELC03038H1	2/0-300
400	QMB365W	(2) 40251-287-50	3/0-600	Not Available	—	(2) VCEL05012H1	2/0-500	(2) VCELC05012H1	250-500
						(2) VCEL07512H1	500-750	(2) VCELC07512H1	400-750
	QMB365WT6	Not Replaceable	(2) 3/0-600			Not Available	—	Not Available	—
600	QMB366W	(2) 40251-287-50	3/0-600	Not Available	—	(2) VCEL05012H1	2/0-500	(2) VCELC05012H1	250-500
800	QMB367W	(3) 40251-287-50	3/0-600	Not Available	—	(3) VCEL05012H1	2/0-500	(2) VCELC05012H1	250-500
						(3) VCEL07512H1	500-750	(2) VCELC07512H1	400-750

QMB Fusible Panelboards

QMJ Fusible Switches

QMJ Fusible Switches

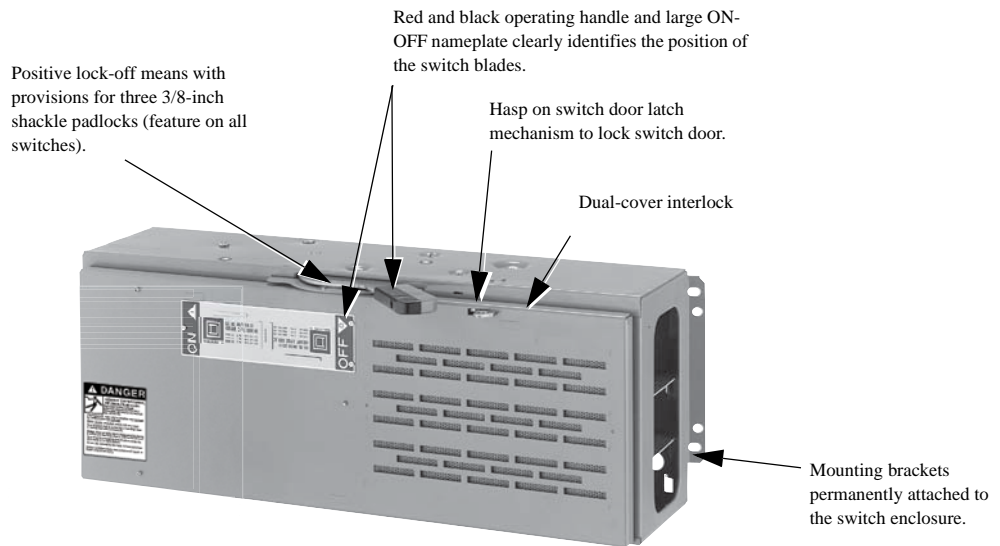
QMJ fusible switches allow for smaller panelboards, saving installation time and space. With the Class J fuses installed, overcurrent and short circuit protection are provided.

Application

- Type 1 vented enclosures only
- For use on 400, 600, 800, and 1200 A interiors only
- 30 through 200 A twin-mounted switch units
- 400 and 600 A single-mounted switch units
- 600 Vac or 250 Vdc maximum
- On dc systems, use top and bottom switching poles
- 200,000 rms symmetrical amperes at 600 Vac short circuit current with Class J fuses
- Use 600 V Class J fuses only
- Horsepower ratings from 3 to 500 horsepower
- Use only 90 °C insulated conductors based on an ampacity of 75 °C conductors



Typical Single and Twin Switch Units



Typical QMJ Switch

QMB Fusible Switches Features and Accessories

Visible Blades

- 30–600 A QMJ switches
- Provides positive identification of the position of the switch blades



Visible Blades

Electrical Interlocks

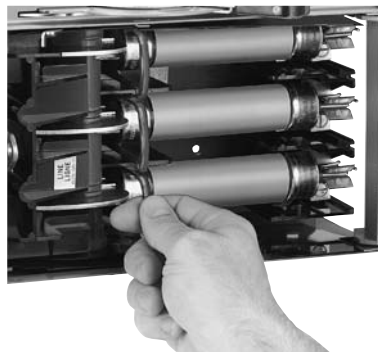
- 30–400 A QMJ switches
- For use on motor control circuits or auxiliary functions
- Available for field installation
- UL Listed
- CSA Certified



Electrical Interlocks

Fuse Puller

- 30–100 A QMJ switches
- Convenient aid in removing fuses



Fuse Puller

Versa-Crimp Lugs

- 100–600 A QMJ switches
- Available for field installation
- Accepts either Cu or Al wire
- UL Listed
- CSA Certified

QMB Fusible Panelboards

QMJ Fusible Switches

Application Data

Table 6: QMJ Branch Switch Units

Unit Ampere Rating	Unit Height in. (mm)	Catalog Number	Electrical Interlock Kit Catalog Number ▲	Horsepower Ratings												250 Vdc ■
				240 Vac				480 Vac				600 Vac				
				Std.		Max.		Std.		Max.		Std.		Max.		
				1φ	3φ	1φ	3φ	1φ	3φ	1φ	3φ	1φ	3φ	1φ	3φ	
30-30	4.5 (114)	QMJ361T	QMB300EK-(1 or 2)	—	3	—	7½	—	5	—	15	—	7½	—	20	5
60-60	6 (152)	QMJ362T	QMB610EK-(1 or 2)	—	7½	—	15	—	15	—	30	—	15	—	50	10
100-100	6 (152)	QMJ363T	QMB610EK-(1 or 2)	—	15	—	30	—	25	—	60	—	30	—	75	20
100-Blank		QMJ363H◆	QMB610EK-(1 or 2)	—	15	—	30	—	25	—	60	—	30	—	75	20
200-200	7.5 (191)	QMJ364T	QMB610EK-(1 or 2)	—	25	—	60	—	50	—	125	—	60	—	150	40
200-Blank		QMJ364H◆	QMB610EK-(1 or 2)	—	25	—	60	—	50	—	125	—	60	—	150	40
400	9 (229)	QMJ365	QMB200EK-(1 or 2)	—	50	—	125	—	100	—	250	—	125	—	350	50
600	15 (381)	QMJ366	—	—	75	—	150	—	150	—	400	—	250	—	500	—

NOTE: QMJ switches are limited to NEMA 1, 400–1200 A panelboards.

▲ “-1” indicates one normally open and one normally closed contact. “2” indicates two normally open and two normally closed contacts.

■ On dc systems, use top and bottom switching poles.

◆ Blank units cannot be modified to accept a switch interior.

Table 7: Terminal Lug Data ▲

Ampere Rating	Catalog Number	Conductors per Phase	Wire Range Wire Bending Space per NEC Table 373-6 (AWG/kcmil)	Lug Wire Range (AWG/kcmil)	Copper Mechanical Lugs	Optional VERSA-CRIMP Compression Lugs
30	QMJ361T	1	#14–#2 Al or Cu	#14–#2 Al or Cu	40256-034-50	—
60	QMJ362T	1	#14–#2 Al or Cu	#14–#2 Al or Cu	40256-034-50	—
100	QMJ363T	1	#14–1/0 Al or Cu	#14–1/0 Al or Cu	40256-014-50	VCELC or VCEL-021-14S1
100	QMJ363H	1	#14–1/0 Al or Cu	#14–1/0 Al or Cu	40256-014-50	VCELC or VCEL-021-14S1
200	QMJ364T	1	#6–300 Al or Cu	#6–300 Al or Cu	40560-270-50	VCEL-030-516H1 or VCELC-030-38H1
200	QMJ364H	1	#6–300 Al or Cu	#6–300 Al or Cu	40560-270-50	
400	QMJ365	1	1/0–750 Al or Cu	1/0–750 Al or Cu	40256-039-50	VCELC or VCEL-075-12H1
600	QMJ366	2	3/0–600 Al or Cu	3/0–600 Al or Cu	—	VCELC or VCEL-050-12HS1

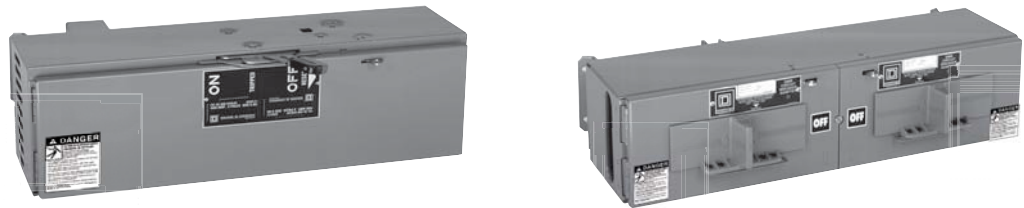
▲ Use only 90 °C insulated conductors based on an ampacity of 75 °C conductors.

QMB Circuit Breaker Units

QMB circuit breaker units are designed for use in panelboards and switchboards to:

- Provide a means for disconnecting a load from its source.
- Open and close a circuit.
- Provide overcurrent and short circuit protection.

NOTE: Refer to the QMB Motor Starter Centers Catalog, Class No. 2320, for horsepower ratings.



QMB Single- and Twin-Mounted Circuit Breaker Units

Optional Circuit Breaker Accessories

- Shunt trip
- Undervoltage trip
- Auxiliary switch
- Alarm switch

NOTE: Refer to the Square D Digest for additional information.

15–150 A Twin-Mounted Circuit Breaker Unit

- Twin-mounted H-frame circuit breaker unit
- 600 Vac maximum
- 250 Vdc maximum

Table 8: QMB Twin-Mounted H-frame Circuit Breakers Max. Short Circuit Current Ratings

	HD	HG
240 Vac	25 kA	65 kA
240 Vac▲	10 kA	10 kA
480 Vac	18 kA	35 kA
600 Vac	14 kA	18 kA

▲ Corner Grounded Delta.

QMB Fusible Panelboards QMB Circuit Breaker Units

150–400 A Single-Mounted Circuit Breaker Unit

- 150–250 A single-mounted JD- or JG-frame circuit breaker unit
- 225–400 A single-mounted LA- or LH-frame circuit breaker unit
- 600 Vac maximum
- 250 Vdc maximum

Table 9: QMB Single-Mounted J- and L-frame Circuit Breakers Max. Short Circuit Current Ratings

	JD	JG	LA	LH
240 Vac	25 kA	65 kA	42 kA	65 kA
240 Vac▲	10 kA	10 kA	—	14 kA
480 Vac	18 kA	35 kA	30 kA	35 kA
600 Vac	14 kA	18 kA	22 kA	25 kA

▲ Corner Grounded Delta.

Table 10: Standard Aluminum Mechanical Lugs

Frame	Amperes	Lug Kit	Lug Wire Range (AWG/kcmil) ▲	Lugs Per Kit
HD/HG	15–150	AL150HD	(1) #14-3/0	3
JD/JG	150–175	AL175JD	(1) #1/0-4/0	3
JD/JG	200–250	AL250JD	(1) #3/0-350	3
LA	125–400	AL400LA	(1) #1-600 or (2) #1-250	1

▲ Unless otherwise stated, wire size applies to both copper and aluminum wire.

Table 11: Optional Copper Mechanical Lugs

Frame	Amperes	Lug Kit	Lug Wire Range (AWG/kcmil)	Lugs Per Kit
HD/HG	15–150	CU150HD	(1) #14-2/0 Cu	3
JD/JG	150–250	CU250JD	(1) #1/0-300 Cu	3
LA	125–400	CU400LA	(1) #1-600 Cu or (2) #1-250 Cu	1

QMB SurgeLogic™ TVSS Devices

The IMA series is a modular parallel transient voltage surge suppressor (TVSS) designed for service entrance or downstream applications. The IMA device is a multi-stage suppression circuit consisting of field-proven, fast-acting 34 mm metal oxide varistors (MOVs).

A surge suppression path is provided for each mode, line-to-neutral (L–N), line-to-line (L–L), line-to-ground (L–G), and neutral-to-ground (N–G). Each surge suppression mode is individually fused and uses circuitry with thermal cutout to provide normal operation during severe overvoltages and high fault current conditions. The suppression elements are encapsulated in a UL® recognized potting material, providing additional protection. A filter is added to provide a high level of EMI/RFI noise attenuation. On-line diagnostics continuously monitor the unit status and have redundant LEDs to signal a loss of a suppression circuit. An audible alarm with an enable/disable feature and dry contacts are included in the standard diagnostic package.



QMB Switch with TVSS Device

Features

- Individually fused suppression modes
- Thermal cutout
- Solid state bi-directional
- Press-to-Test on-line diagnostic display
- Front panel alarm with enable/disable switch
- LED indicators indicate loss of protection, or fully operational circuit including N–G
- High-energy parallel design for category A, B, and C3 applications
- AC tracking filter with EMI/RFI filtering up to -50 dB from 100 kHz to 100 MHz

QMB Fusible Panelboards

QMB SurgeLogic™ TVSS Devices

Table 12: Performance Features

Surge Capacity	L–N	L–G	N–G
120 kA / phase	60 kA	60 kA	120 kA
160 kA / phase	80 kA	80 kA	120 kA
240 kA / phase	120 kA	120 kA	120 kA

Table 13: Voltage Specifications

IMA Series Voltage Specifications		UL Suppression Voltage Rating (SVR)				
Catalog Number	Service Voltage	L–N	L–G	N–G	L–L	MCOV ▲
QMB1IMA■_	120/240 Vac, 1-phase	400	400	400	800	150
QMB2IMA■_	208Y/120 Vac 3-phase, 4-wire	400	400	400	800	150
QMB3IMA■_	240/120 Vac 3-phase, high-leg delta	800/400	800/400	400	1500/800	275/150
QMB4IMA■_	480Y/277 Vac 3-phase, 4-wire	800	800	800	1600	320
QMB8IMA■_	600Y/347 Vac 3-phase, 4-wire	1200	1200	1200	2000	420

▲ MCOV = maximum continuous operating voltage

■ Add "C" suffix for surge counter

Table 14: Specifications

Relative Humidity	0 to 95% non-condensing
Operating Frequency	47–63 Hz
Storage Temperature	-40 to +65 °C (-40 to +149 °F)
Operating Temperature	-10 to +50 °C (+14 to +122 °F)
Standards	ANSI/IEEE C62.41 and C62.45 UL 1449 Second Edition
Fusing	Individually fused suppression modes

Table 15: Options

Option	Description	Catalog Option Number
Audible Alarm	Sounds the alarm.	None (standard)
Dry Contacts	Provides remote indication of the TVSS device's operating status to a computer interface board or emergency management system.	None (standard)
Surge Counter	Displays the number of transient voltage surges since the counter was last reset. The counter is battery powered to retain memory in the event of a power loss to the TVSS device.	C
Remote Monitor	Provides TVSS status up to 1000 feet away from the unit.	TVS12RMU

Schneider Electric USA

252 north Tippecanoe
Peru, IN 46970 USA
1-888-SquareD
(1-888-778-2733)
www.us.SquareD.com

Schneider Electric Canada

19 Waterman Avenue,
M4B 1 Y2
Toronto, Ontario
1-800-565-6699
www.schneider-electric.ca

4620CT9601R07/15 © 1985–2015 Schneider Electric All Rights Reserved
Replaces 4620CT9601 R04/09