

Square D™ QO™ and Homeline™ Combination Service Entrance Devices (CSEDs)

4120CT2201

Catalog

Release date 03/2023



Legal Information

The Schneider Electric brand and any trademarks of Schneider Electric SE and its subsidiaries referred to in this guide are the property of Schneider Electric SE or its subsidiaries. All other brands may be trademarks of their respective owners.

This guide and its content are protected under applicable copyright laws and furnished for informational use only. No part of this guide may be reproduced or transmitted in any form or by any means (electronic, mechanical, photocopying, recording, or otherwise), for any purpose, without the prior written permission of Schneider Electric.

Schneider Electric does not grant any right or license for commercial use of the guide or its content, except for a non-exclusive and personal license to consult it on an "as is" basis. Schneider Electric products and equipment should be installed, operated, serviced, and maintained only by qualified personnel.

As standards, specifications, and designs change from time to time, information contained in this guide may be subject to change without notice.

To the extent permitted by applicable law, no responsibility or liability is assumed by Schneider Electric and its subsidiaries for any errors or omissions in the informational content of this material or consequences arising out of or resulting from the use of the information contained herein.

Table of Contents

Meter Mains	5
Meter Main Product Description	6
Catalog Number Description.....	7
General Information and Application Data.....	8
QO and Homeline Meter Mains.....	9
Meter Main Rainproof Enclosures	10
Meter Main Technical Information	11
100–200 A Rainproof Meter Main Technical Information.....	11
400 A Rainproof Meter Main Technical Information	14
100–200 A Solar Ready Plug-on Neutral (PoN) Meter Mains	16
Wiring Diagram Label Sample	18
Meter Main Wiring Diagrams	19
Solar Ready Plug-on Neutral (PoN) Meter Mains.....	22
All-in-Ones	24
All-in-One Product Description.....	25
Catalog Number Description.....	26
General Information and Application Data.....	27
QO and Homeline All-In-Ones	28
Rainproof Enclosures.....	29
All-in-One Technical Information	30
100–200 A Standard All-in-Ones	30
300–400 A All-in-Ones	32
125–225 A Solar Ready Plug-on Neutral All-in-Ones	33
Wiring Diagram Label Sample	34
All-in-One Wiring Diagrams	35
Solar Ready Plug-on Neutral (PoN) All-in-One Wiring Diagrams.....	38
CSED General Information.....	39
Ring vs. Ringless Type.....	39
Enclosure and Knockout Information.....	41
General Information and Application Data.....	44
Accessories and Hubs	45
QO/Homeline CSED Accessories	47
Surge Protective Devices (SPD)	49

Meter Mains



Square D brand Meter Mains are single phase power distribution panels that are ideal for residential use. They provide a meter socket that supports a standard utility meter and a main disconnect breaker.

This single compact solution provides a time and space saving solution for contractors and installers. Square D Meter Main products meet a wide range of applications in use today. Consult your local utility for a specific list of approved devices.

Features:

- Ring or ringless styles available
- Available in two styles for either QO or Homeline circuit breaker formats
- 100 to 400 A main ratings
- Units available with up to six service disconnects (For NEC® prior to 2020)
- Available plug-on neutral option (PoN)*
- Dedicated surface and semi-flush mounting styles
- Multiple disconnect units can be converted to semi-flush with addition of flange kit
- Generator Kits available to provide switching method between main utility service and backup power source
- NEC 2020 for most models
- Solar ready available option
- Some models are Wiser™ Energy compatible
- Backup power ready available option

The Plug-on Neutral (PoN) Advantage:

- Faster installation — Fewer connections
- Saves wire — Fully distributed split neutral bar
- Frees gutter space — No pigtails

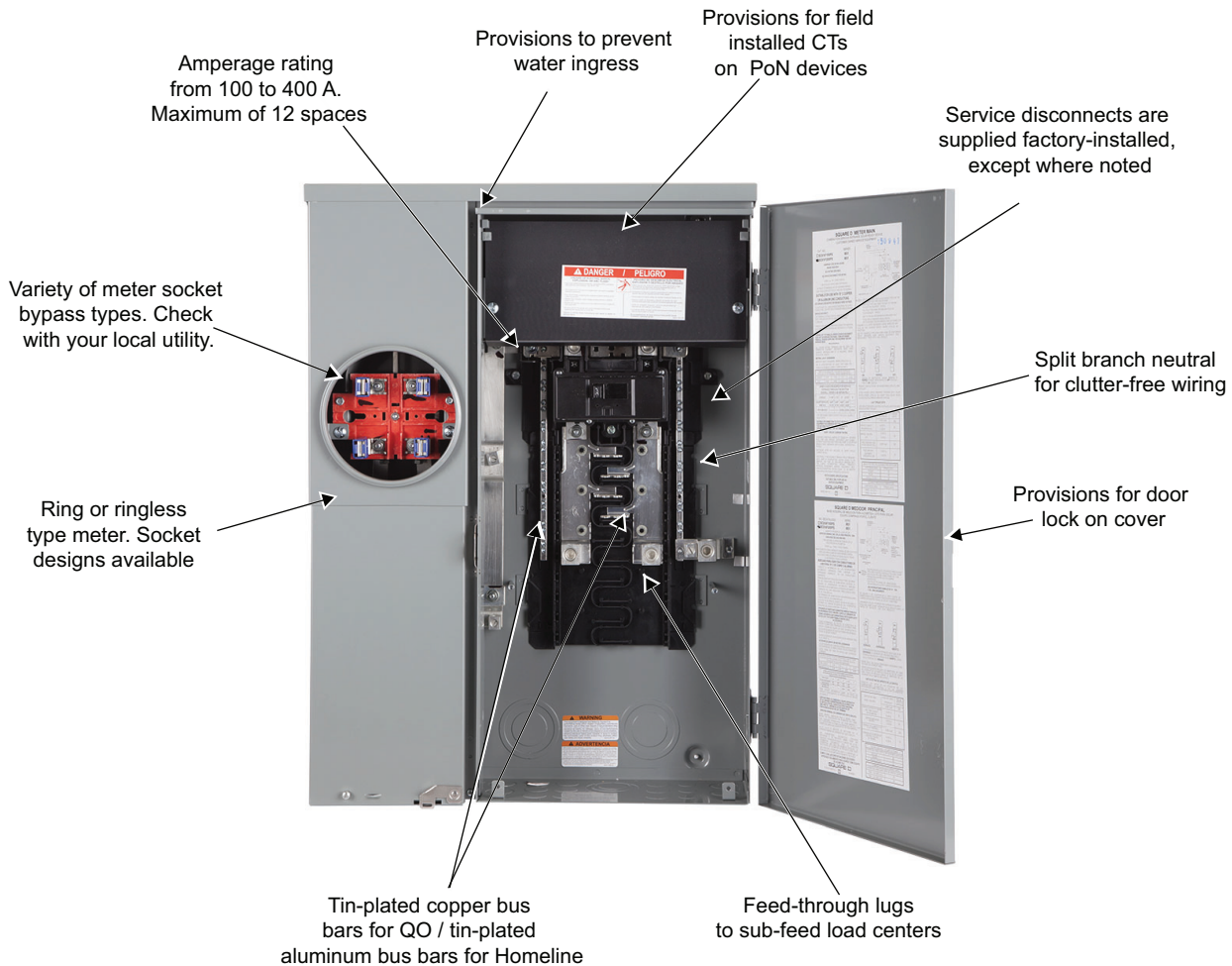
WARNING: This product can expose you to chemicals including lead and lead compounds, which are known to the State of California to cause cancer, and birth defects or other reproductive harm. For more information go to www.P65Warnings.ca.gov.



Meter Main Product Description

Used in residential applications where local codes require service disconnects to be located outside the dwelling.

Meter main devices include the utility meter socket and factory installed and/or provisions for field installation of service disconnect(s) to feed downstream devices. Meter mains are typically used with interior mounted sub-feed load centers.



Additional features:

Circuit breaker compatibility – QO is a 3/4-inch format and Homeline is a 1-inch format. Some interiors (solar ready) accept plug-on neutral (PoN) and pigtail style branch circuit breakers.

Backed out neutral screws – saves labor and installation time.

Standard 22 kA / 10 kA AIR SCCR — standard short-circuit rating for most combination service entrance devices (CSEDs) provide increased application capability. (Some CSEDs have a different SCCR, see product Technical Information to confirm.)

Neutral and ground – supplied with 100% branch neutrals; all unused terminals may be used for equipment grounding wires.

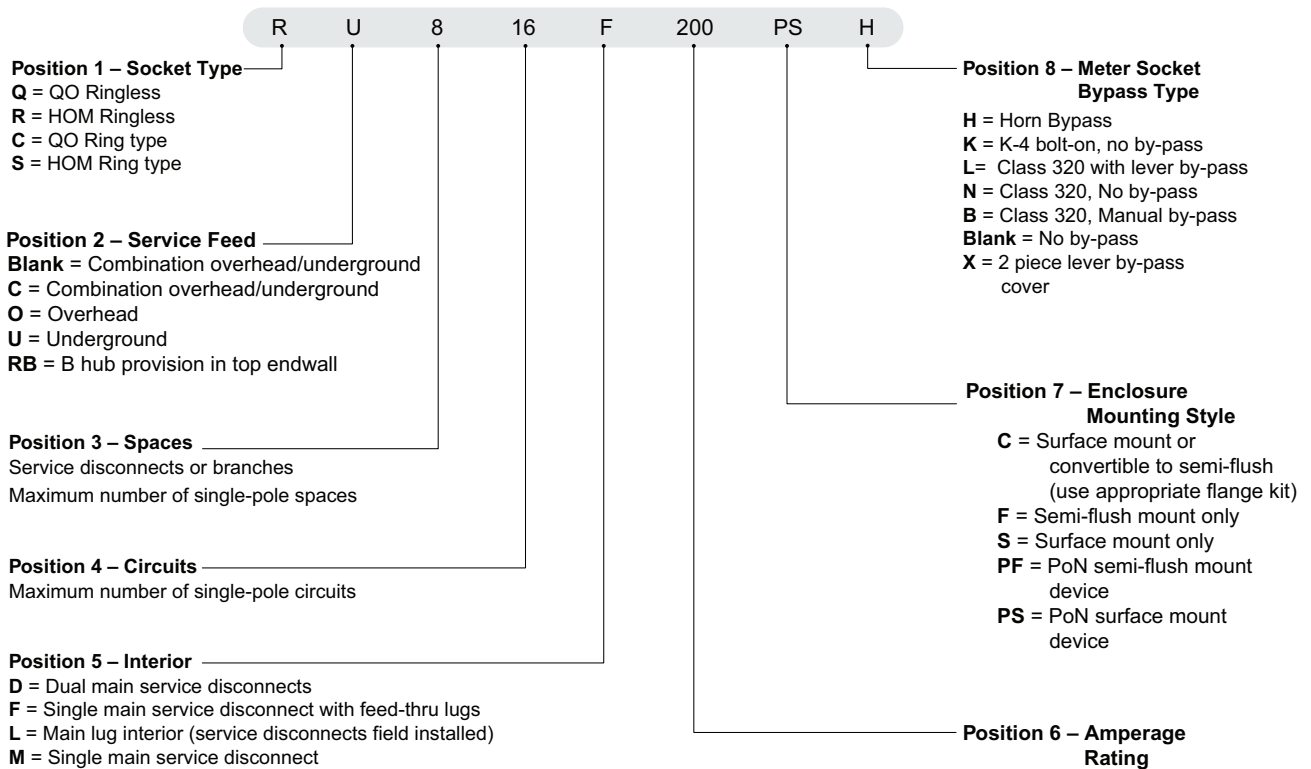
Twistouts – twistouts are factory removed in some models for easier installations of circuit breakers.

Screws – combination slot/square drive neutral, ground and cover screw accommodate both standard flat blade screwdrivers and square head drivers.

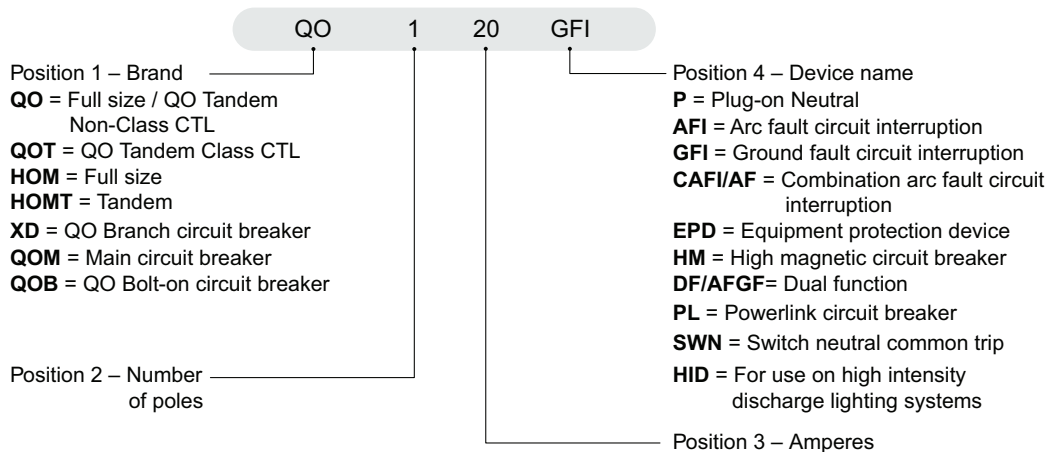
UL listed – suitable only for use as service equipment.

Catalog Number Description

Meter Mains catalog number description



Circuit Breakers catalog number description



General Information and Application Data



CU12L400CB



QU816D400CK



RC200S

Type

CSEDs for use on electrical systems are UL™ listed under file E-6294 (panel boards) and meet federal specifications W-P-115c, type 1, class 2 for use in government housing.

UL Listed

File E-6294 (panelboards) UL67 standard enhances safety in electrical distribution panels. Suitable for use as service equipment. Suitable for use with 75°C copper or aluminum conductors.

Ratings

Single-Phase, Rating Max: 100–400 A

Service

120 / 240 Vac, 1 ϕ 3W

208Y / 120 Vac, 1 ϕ 3W

Neutral Assemblies

Branch neutral terminals suitable for one #14–#4 AWG copper or one #12–#4 AWG aluminum wire.

Suitable lugs provided on the neutrals for termination of the grounding conductor.

All unused neutral terminals may be used to terminate bare or green equipment grounding conductors:

- one #14–#4 AWG copper
- one #12–#4 AWG aluminum
- two or three #14–#10 AWG copper
- two or three #12–#10 AWG aluminum

Line Lugs

All lugs suitable for 75°C copper or aluminum wires.

CSEDs have wire binding screw torque values on the wiring diagrams and circuit breaker labels.

Phasing

CSEDs have distributed phase bussing.

Most branch circuit breakers can be mounted in any position.

QO and Homeline Meter Mains



Homeline Meter Main



QO Meter Main

NEMA Type 3R – Rainproof

NEMA 3R enclosures are typically used in outdoor applications for wiring and junction boxes. This style of enclosure provides protection against falling rain, sleet, snow, and external ice formation. This style of enclosure does not have a gasketed sealing surface. Some models have hasps for padlocking.

Square D by Schneider Electric CSEDs are suitable for use as service equipment only in residential applications where local codes require service disconnects to be located outside the dwelling.

QO and Homeline Meter Mains

QO and Homeline meter mains have different physical qualities, yet they both fulfill the same function. Contact your local utility to know which metering enclosure to use in your area.

Circuit breaker format - QO: $\frac{3}{4}$ inch per 1 pole space/ Homeline: 1 inch per 1 pole space.

Meter socket type - QO: Ring type and ringless / Homeline: Ring type and ringless

Backed-out neutral terminal screws - QO: Top and split neutral/ Homeline: Fully distributed split neutral

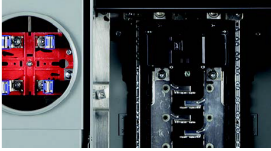
Bus bars - QO: Shielded, tin-plated copper / Homeline: Most are not shielded, tin and copper plated aluminum

Meter Main Rainproof Enclosures



QO and Homeline Plug-on Neutral (PoN)

Plug-on Neutral CSEDs are an available option that offer time-savings for Plug-on Neutral Combination Arc Fault (CAFI) and dual function circuit breaker installation. Our innovative, split neutrals are designed to save time and wire, allowing plug-on neutral circuit breakers to connect directly to the neutral bar without the pigtail.



Material and finish

Galvanealed steel enclosure includes interior trim and door with a gray powder coating. QO interiors have tin plated copper bus bars and Homeline interiors have tin and copper plated aluminum bus bars.



Stainless steel latch

A stainless steel door latch on the enclosure provides closure and maximum durability.



Wiring access without door removal

CSEDs are side-hinge or top-hinge door devices, providing full wiring access without door removal.



Hubs

Square D type rain-tight hubs provide fast and convenient top or bottom feed conduit connection. Hubs are suitable for use with conduit having ANSI standard taper pipe thread. Closing plates available for A, A-L and B hub openings.



Filler plates

Snap-in style filler plates are accessories purchased separately available to cover unused spaces. HOMFP and QOFP filler plates available for branch circuit breaker spaces in all of our covers.



Different meter socket types

Ring or ringless type meter socket designs available. After all work has been done and the meter has been fastened, a sealing or locking mechanism is placed in either form. Check with your local utility the sort of meter mounting to be utilized in a given location.

Meter Main Technical Information

100–200 A Rainproof Meter Main Technical Information



Table 1 - QO Rainproof Meter Mains (1Ø3W—120/240 Vac Rainproof—UL Listed)

Cat. No.	Rating (A)	Bypass Type	Service (Type of Feed)	SCCR (kA)	Service Disconnect(s)			Load Center and Branch Circuit Breakers ¹				Hub Type ²	Line side Main Lugs AWG/kcmil (Al/Cu)	Service Ground Lug AWG/kcmil (Al/Cu)
					2P Circuits (Max.)	Type ³	Rating (A) Max.	Max. Quantity		Rating (A) Max.				
								Spac- es	1P Circuits Tandems					
Ring Type														
Surface Mount Only														
C125RB	125	None	OH/UG	10	1	QOM1-VH	125	—	—	—	—	B	4–1/0	8–1/0
CM200S	200	None	OH/UG	22	1	QOM2-VH	200	—	—	—	—	A	4–250	(2) 8–2/0
C2M200S	200	None	OH/UG	22	1	QOM2-VH	200	—	—	—	—	A	4–250	(2) 8–2/0
						QO-VH	50							
C4L200S	200	None	OH/UG	10	2	QO	100	—	—	—	—	A	4–250	(2) 8–2/0
Ringless Type														
Surface Mount Only														
RC200S ⁴	200	None	OH/UG	22	1	QOM2-VH	200	—	—	—	—	A	6–350	(2) 8–2/0
RCM200SL ^{4 5}	200	Lever	OH/UG	10	1	QOM2-VH	200	—	—	—	—	A	6–350	8–1/0
RC2M200S ⁴	200	None	OH/UG	22	1	QOM2-VH QO-VH	200	—	—	—	—	A	6–350	(2) 8–2/0
							50							
RC2M200SH ⁴	200	Horn	OH/UG	22	1	QOM2-VH QO-VH	200	—	—	—	—	A	6–350	(2) 8–2/0
							50							
RC2M200SL ^{4 5}	200	Lever	OH/UG	10	1	QOM2-VH QO-VH	200	—	—	—	—	A	6–350	8–1/0
							50							
QC12L200C ⁴	200	None	OH/UG	22	6	QO-VH	200 ⁶	—	—	—	—	A	6–350	12–2/0
Surface Mount Only, Supplied with Feed -Thru Lugs and provisions for Branch Circuit Breakers														
QC816F100CH ^{7 4 5}	100	Horn	OH/UG	22	1	QOM2100VH ⁸	100	8	16	8	100	A	6–350	12–2/0
QC816F125C ^{7 4}	125	None	OH/UG	22	1	QOM2125VH ⁸	125	8	16	8	100	A	6–350	12–2/0

- Order separately. To order branch circuit breakers, see Circuit Breakers for use with Meter Mains and All-in-One Devices, page 44.
- Order separately. To order hubs, see Hubs, page 45.
- Order separately. To order service disconnects, see Generator Circuit Breaker Interlock kit Interlocks main service disconnect and generator circuit breaker (order separately), page 47 .
- Device supplied with barrel lock provisions factory-installed.
- Fifth jaw factory-installed.
- Use only 15–100 and 150–200 A circuit breakers.
- Supplied with load side feed-thru lugs, for four AWG–250 kcmil (Al/Cu) conductors.
- Service disconnect supplied factory-installed.

Table 1 - QO Rainproof Meter Mains (1Ø3W—120/240 Vac Rainproof—UL Listed) (Continued)

Cat. No.	Rating (A)	Bypass Type	Service (Type of Feed)	SCCR (kA)	Service Disconnect(s)			Load Center and Branch Circuit Breakers ⁹				Hub Type ¹⁰	Line side Main Lugs AWG/ kcmil (Al/Cu)	Service Ground Lug AWG/ kcmil (Al/Cu)
					2P Circuits (Max.)	Type ¹¹	Rating (A) Max.	Max. Quantity		Rating (A) Max.				
								Spaces	1P					
									Circuits Tandems					
QC816F150S ^{12 13}	150	None	OH/UG	22	1	QOM2150VH ¹⁴	150	8	16	8	150 ¹⁵	A	6–350	8–2/0
QC816F150C ¹²	150	None	OH/UG	22	1	QOM2150VH ¹⁴	150	8	16	8	150 ¹⁵	A	6–350	12–2/0
QC816F200S ^{16 12 13}	200	None	OH/UG	22	1	QOM2200VH ¹⁴	200	8	16	8	200 ¹⁷	A	6–350	8–2/0
QC816F200CH ^{16 12}		Horn									12–2/0			
QC816F200SL ^{16 12 13}		Lever									8–2/0			

9. Order separately. To order branch circuit breakers, see Circuit Breakers for use with Meter Mains and All-in-One Devices, page 44.
 10. Order separately. To order hubs, see Hubs, page 45.
 11. Order separately. To order service disconnects, see Generator Circuit Breaker Interlock kit Interlocks main service disconnect and generator circuit breaker (order separately), page 47 .
 12. Device supplied with barrel lock provisions factory-installed.
 13. Fifth jaw factory-installed.
 14. Service disconnect supplied factory-installed.
 15. Use only 15–100 and 150 A circuit breakers.
 16. Supplied with load side feed-thru lugs, for four AWG–250 kcmil (Al/Cu) conductors.
 17. Use only 15–100 and 150–200 A circuit breakers.

Table 2 - Homeline Rainproof Meter Mains (1Ø3W—120/240 Vac Rainproof—UL Listed)

Cat. No.	Rating (A)	Bypass Type	Service (Type of Feed)	SCCR (kA)	Service Disconnect(s)			Load Center and Branch Circuit Breakers ¹⁸				Hub Type ¹⁹	Line side Main Lugs AWG/kcmil (Al/Cu)	Service Ground Lug AWG/kcmil (Al/Cu)
					2P Circuits (Max.)	Type ²⁰	Rating (A) Max.	Max. Quantity		Ampere Rating Max.				
								Spaces	1P Circuits		Tan-dems			
Ring Type														
Surface Mount Only														
SC8L125S	125	None	OH/UG	10	4	HOM	125	—	—	—	—	A	6–2/0	6–2/0
SC12L200S	200	None	OH/UG	10	6	HOM	200 ²¹	—	—	—	—	A–L	4–250	8–2/0
Semi-flush Mount only														
SC8L125F	125	None	OH/UG	10	4	HOM	110	—	—	—	—	A or B30	6–2/0	6–2/0
SC12L200F	200	None	OH ²² /UG	10	6	HOM	200 ²³	—	—	—	—	A–L	4–250	8–2/0
Surface Mount —Supplied with Feed -Thru Lugs and provisions for Branch Circuit Breakers														
SC816D150C ^{24 25}	150	None	OH/UG	10	1	HOM2150 ²⁶	150	8	16	8	100 ²⁷	A or A–L	6–300	8–1/0
						HOM	50							
SC816D200C ^{24 25}	200	None	UG	10	1	HOM2200 ²⁶	200	8	16	8	100 ²⁷	A or A–L	6–300	8–1/0
						HOM	50							
Ringless Type														
Surface Mount Only														
RC8L125S ²⁸	125	None	OH/UG	10	4	HOM	125 ²⁹	—	—	—	—	A	6–2/0	6–2/0
RC12L200C ³⁰	200	None	OH/UG	22	6	HOM	200 ²⁹	—	—	—	—	A	6–350	12–2/0
Surface Mount Only, Supplied with Feed -Thru Lugs and provisions for Branch Circuit Breakers														
RC816F100SH ^{24 30 31}	100	Horn	OH/UG	22	1	QOM2100VH ²⁶	100	8	16	8	100	A	6–350	8–2/0
RC816F100CH ^{24 30 31}						QOM2100VH ²⁶								12–2/0
RC816F125CH ^{24 30}	125	Horn	OH/UG	22	1	QOM2125VH ²⁶	125	8	16	8	100	A	6–350	12–2/0
RC816F150C ^{24 30}	150	None	OH/UG	22	1	QOM2150VH ²⁶	150	8	16	8	150 ³²	A	6–350	12–2/0
RC816F150SH ^{24 30 33}		Horn				QOM2150VH ²⁶								8–2/0
RC816F150CH ^{24 30 33}						QOM2150VH ²⁶								12–2/0
RC816F150SL ^{30 31 34}						Lever								QOM2150VH ²⁶
RC816F200S ^{24 30 33}	200	None	OH/UG	22	1	QOM2200VH ²⁶	200	8	16	8	200 ²⁹	A	6–350	8–2/0
RC816F200C ^{24 30}						QOM2200VH ²⁶								12–2/0
RC816F200SH		Horn				QOM2200VH ²⁶								8–2/0
RC816F200CH ^{24 30 31}						QOM2200VH ²⁶								12–2/0
RC816F200SL ^{24 30 31 34}						Lever								QOM2200VH ²⁶
RC816D200CH ^{25 24 31 34}	200	Horn	OH/UG	10	1	HOM2200 ²⁶	200	8	16	8	100 ²⁷	A	6–300	6–1/0
						HOM	50							

- 18. Order separately. To order branch circuit breakers, see Circuit Breakers for use with Meter Mains and All-in-One Devices, page 44.
- 19. Order separately. To order hubs, see Hubs, page 45.
- 20. Order separately. To order Service Disconnects, see Generator Circuit Breaker Interlock kit Interlocks main service disconnect and generator circuit breaker (order separately), page 47.
- 21. Use only 15–110 and 150–200 A breakers.
- 22. Suitable for OH service with addition of tunnel kit SCKT20. Order separately. See Other Accessories , page 48.
- 23. 125 A Homeline 2P circuit breaker can be installed in top position only. All other positions are limited to 100 A max.
- 24. Supplied with load side feed-thru lugs, for four AWG–250 kcmil (Al/Cu) conductors.
- 25. Convertible to semiflush with SC200F flange kit (order separately).
- 26. Service disconnect supplied factory-installed.
- 27. A 100 A circuit breaker can be installed in bottom position only, all other positions are limited to 70 A max.
- 28. Knockout provided in cover for use with barrel lock kit SCBRLOCK (see Other Accessories, page 48).
- 29. Use only 15–100 and 150–200 A circuit breakers.
- 30. Device supplied with barrel lock provisions factory-installed.
- 31. Fifth jaw factory-installed.
- 32. Use only 15–100 and 150 A circuit breakers.
- 33. Fifth jaw factory-installed.
- 34. Suitable for load wires to exit top endwall with addition of Tunnel Kit OHBL, see Other Accessories, page 48, check with local utility for approval.

400 A Rainproof Meter Main Technical Information



CU12L400CB



CU12L400CN



CU816D400CN

Table 3 - QO Rainproof Meter Mains (1Ø3W—120/240 Vac Rainproof—UL Listed)

Cat. No.	Rating (A)	Bypass Type	Service (Type of Feed)	SCCR (kA)	Load Center and Service Disconnect(s) ³⁵ Branch Circuit Breakers ³⁶							Hub Type ³⁷	Line side Main Lugs AWG/ kcmil (Al/ Cu)	Service Ground Lug AWG/ kcmil (Al/Cu)
					2P Cir-cuits (Max.)	Type ³⁸	Rating (A) Max.	Max. Quantity			Rating (A) Max.			
								Space-s	1P Cir-cuits	Tan-dems				
Ring Type														
Surface and Semiflush Mount ³⁵														
CU12L400CN ³⁹	400	None	UG	25	1	QDL22200 ⁴⁰	200	—	—	—	—	A-L	(2) Studs	4-250
					4	QDL ⁴⁰ , QGL, QJL								
					4	QO ⁴¹ , QO -VH or QOH ⁴²	125 ⁴³							
CU12L400CB ^{39 44}	400	Class 320 Manual Bypass	UG	25	1	QDL22200 ⁴⁰	200	—	—	—	—	A-L	(2) Studs	4-250
					1	QDL, QGL, QJL ⁴¹								
					4	QO, QO -VH or QOH ⁴²	125 ⁴³							
CU816D400CN ^{39 45}	400	None	UG	25	1	QDL22200 ⁴⁰	200	8	16	8	200	A-L	(2) Studs	4-250
					1	QDL, QGL, QJL ⁴¹								
CU816D400CB ^{39 43 44}	400	Class 320 Manual Bypass	UG	25	1	QDL22200 ⁴⁰	200	8	16	8	200	A-L	(2) Studs	4-250
					1	QDL, QGL, QJL ⁴¹								
CUM400CB ^{39 44}	400	Class 320 Manual Bypass	UG	65 ⁴⁶	1	LJL36400U31X ⁴⁰	400	—	2 ⁴⁷	—	200	A-L	(2) Studs	4-250
Ringless Type														
QU12L400SL ^{48 44}	400	Class 320 Lever	UG	25	1	QDL22200 ⁴⁰	200	—	—	—	—	A-L	(2) Studs	4-250
QU12L400SL ^{48 44}	400	Class 320 Lever	UG	25	1	QDL, QGL, QJL ⁴¹	200	—	—	—	—	A-L	(2) Studs	4-250

35. UL short circuit current rating is equal to the lowest interrupting rating of any circuit breaker installed.
 36. Order separately. To order branch circuit breakers, see Circuit Breakers for use with Meter Mains and All-in-One Devices, page 44.
 37. Order separately. To order hubs, see Hubs, page 45.
 38. Order separately. To order Service Disconnects, see Generator Circuit Breaker Interlock kit Interlocks main service disconnect and generator circuit breaker (order separately), page 47.
 39. For use only on 120/240 Vac 1Ø3W system (four-jaw meter socket).
 40. Service disconnect supplied factory-installed.
 41. Additional service disconnect for field-installation: order prefix QBL at 10 kA, QDL at 25 kA, QGL at 65 kA, or QJL at 100 kA. Order separately. For complete circuit breaker catalog number, see Digest Section 7.
 42. Order two pole circuit breakers for field installation: order catalog designation QO for 10 kA, QO-VH for 22 kA or QOH for 42 kA short circuit current rating. See Circuit Breakers for use with Meter Mains and All-in-One Devices, page 44.
 43. QO panel is rated 200 A maximum.
 44. Device configuration is not included in EUSERC standards. Consult applicable utility for acceptance.
 45. Supplied with load side feed-thru lugs for 6 AWG–250 kcmil (Al/Cu) conductors.
 46. UL short circuit current rating is equal to the lowest interrupting rating of any circuit breaker installed
 47. Option for field installation of two Q-frame, 200 A max. 2-pole branch circuit breakers used as mains for two downstream load centers. Purchase installation kit BMK2Q400 and two Q-frame circuit breakers separately. Order QBL prefix at 10 kA, QDL prefix at 25 kA, or QGL prefix at 65 kA.
 48. Fifth jaw factory-installed.

Table 3 - QO Rainproof Meter Mains (1Ø3W—120/240 Vac Rainproof—UL Listed) (Continued)

Cat. No.	Rating (A)	Bypass Type	Service (Type of Feed)	SCCR (kA)	2P Circuits (Max.)	Load Center and Service Disconnect(s) ⁴⁹ Branch Circuit Breakers ⁵⁰							Hub Type ⁵¹	Line side Main Lugs AWG/kcmil (Al/Cu)	Service Ground Lug AWG/kcmil (Al/Cu)
						Type ⁵²	Rating (A) Max.	Max. Quantity			Rating (A) Max.				
								Space-s	1P Circuits	Tan-dems					
	400	Class 320 Lever	UG	25	4	QO, QO -VH or QOH ⁴⁹	125 ⁵⁰	—	—	—	—	A-L	(2) Studs	4-250	
Surface Mount Only, Supplied with Feed -Thru Lugs and Provisions for Branch Circuit Breakers															
QU816D400SL ^{50 51 52}	400	53	UG	25	1	QDL22200 ⁵⁴	200	8	16	8	200	A-L	(2) Studs	4-250	
						QDL, QGL, QJL ⁵⁵									
QU816D400CK ^{56 52}	400	53	UG	25	1	QDL22200 ⁵⁴	200	8	16	8	200	A-L	(2) Studs	4-250	
						QDL, QGL, QJL ⁵⁵									
Surface and Semiflush Mount ⁴⁹															
QU12L400CL ^{51 57 52}	400	Class 320 Lever	UG	25	1	QDL22200 ⁵⁴	200	—	—	—	—	A-L	(2) Studs	4-250	
						QDL, QGL, QJL ⁵⁵									
						QO, QO -VH or QOH ⁴⁹									
QU816D400CL ^{51 50 57 52}	400	Class 320 Lever	UG	25	1	QDL22200 ⁵⁴	200	8	16	8	200	A-L	(2) Studs	4-250	
						QDL, QGL, QJL ⁵⁵									
QUM400CL ^{51 52}	400	Class 320 Lever	UG	65 ⁵⁸	1	LJL36400U31X ⁵⁴	400	—	2 ⁵⁹	—	200	A-L	(2) Studs	4-250	
Homeline Ringless Type															
Surface Mount Only, Supplied with Feed-Thru Lugs and Provisions for Branch Circuit Breakers															
RC816D400SL ^{56 51}	400	Class 320 Lever	OH/UG	25	1	QDL22200 ⁵⁴ QDL, QGL, QJL ⁵⁵	200	8	16	8	200	A-L	4-600 (2) 1/0- 350	12-2/0	

49. UL short circuit current rating is equal to the lowest interrupting rating of any circuit breaker installed.
 50. Order separately. To order branch circuit breakers, see Circuit Breakers for use with Meter Mains and All-in-One Devices, page 44.
 51. Order separately. To order hubs, see Hubs, page 45.
 52. Order separately. To order Service Disconnects, see Generator Circuit Breaker Interlock kit Interlocks main service disconnect and generator circuit breaker (order separately), page 47.
 49. Order two pole circuit breakers for field installation: order catalog designation QO for 10 kA, QO-VH for 22 kA or QOH for 42 kA short circuit current rating. See Circuit Breakers for use with Meter Mains and All-in-One Devices, page 44.
 50. QO panel is rated 200 A maximum.
 51. Fifth jaw factory-installed.
 52. Device configuration is not included in EUSERC standards. Consult applicable utility for acceptance.
 53. Device with suffix L has Class 320 lever bypass and device with suffix K has a K-4 bolt-on, no bypass.
 54. Service disconnect supplied factory-installed.
 55. Additional service disconnect for field-installation: order prefix QBL at 10 kA, QDL at 25 kA, QGL at 65 kA, or QJL at 100 kA. Order separately. For complete circuit breaker catalog number, see Digest Section 7.
 56. Supplied with load side feed-thru lugs for 6 AWG–250 kcmil (Al/Cu) conductors.
 57. Knockout provided in cover for use with barrel lock kit SCBRLLOCK (see Other Accessories, page 48).
 58. UL short circuit current rating is equal to the lowest interrupting rating of any circuit breaker installed
 59. Option for field installation of two Q-frame, 200 A max. 2-pole branch circuit breakers used as mains for two downstream load centers. Purchase installation kit BMK2Q400 and two Q-frame circuit breakers separately. Order QBL prefix at 10 kA, QDL prefix at 25 kA, or QGL prefix at 65 kA.

100–200 A Solar Ready Plug-on Neutral (PoN) Meter Mains



QU816F200PS



QU48F100PSL



CU816F100PS

Table 4 - QO Solar Ready PoN Meter Mains (1Ø3W—120/240 Vac Rainproof—UL Listed)

Cat. No.	Amperage Rating	Bus Bar Ampere Rating	Bypass Type	Service (Type of Feed)		Service Disconnect(s)		Load Center and Branch Circuit Breakers (Order separately)				Hub Type (Order separately)	Line side Main Lugs AWG/kcmil (Al/Cu)	Service Ground Lug AWG/kcmil (Al/Cu)
						2P Circuits	Type (Factory installed except where noted)	Spaces	Circuits	Tandems	Ampere Rating Max.			
Ring Type, QO														
Surface Mount Only														
CU816F100PS ^{60 61}	100 A	225 A	None	UG	22 kA	1	QOM2100VH	8	16	8	70 A	A-L	4-250	14-2/0 CU 12-2/0 AL
CU48F200PS ^{60 61}	200 A	225 A	None	UG	22 kA	1	QOM2200VH	4	8	4	110 A	A-L	4-250	14-2/0 CU 12-2/0 AL
CU816F200PS ^{60 61}								8	16	8				
Ringless, QO														
Surface Mount Only														
QU48F100PS ⁶⁰	100 A	225 A	None	UG	22 kA	1	QOM2100VH	4	8	4	70 A	A-L	4-250	14-2/0 CU 12-2/0 AL
QU48F100PSL ⁶⁰			Lever											
QU48F125PS ⁶⁰	125 A	225 A	None	UG	22 kA	1	QOM2125VH	4	8	4	70 A	A-L	4-250	14-2/0 CU 12-2/0 AL
QU48F150PS ⁶⁰	150 A	225 A	None	UG	22 kA	1	QOM2150VH	4	8	4	110 A	A-L	4-250	14-2/0 CU 12-2/0 AL
QU816F150PS ⁶⁰								8	16	8				
QU48F200PS ⁶⁰	200 A	225 A	None	UG	22 kA	1	QOM2200VH	4	8	4	110 A	A-L	4-250	14-2/0 CU 12-2/0 AL
QU816F200PS ⁶⁰			8					16	8					
QU816F200PSL ⁶⁰										8				
QU816M200PS			None											

60. Supplied with load side feed-thru lugs, for four AWG-250 kcmil Al/Cu conductors.
 61. Meets EUSERC requirements.



Table 5 - Homeline Solar Ready PoN Meter Mains (1Ø3W—120/240 Vac Rainproof—UL Listed)

Cat. No.	Rating (A)	Bus Bar Rating (A)	Bypass Type	Service (Type of Feed)	SCCR (kA)	Service Disconnect(s)		Load Center and Branch Circuit Breakers ⁶²				Hub Type ⁶²	Line side Main Lugs AWG/kcmil (Al/Cu)	Service Ground Lug AWG/kcmil (Al/Cu)
						2P Circuits	Type (Factory installed except where noted)	Spaces	Cir-cuits	Tan-dems	Rating (A) Max.			
Ring Type, Homeline														
Surface Mount Only														
SU816F100PS ^{63 64}	100	225	None	UG	22	1	QOM2100VH	8	16	8	70	A-L	4-250	14-2/0 Cu 12-2/0 Al
SC816F150PS ^{63 64}	150	225	None	OH/UG	22	1	QOM2150VH	8	16	8	150	A-L	4-250	8-2/0
SU48F200PS ^{63 64}	200	225	None	UG	22	1	QOM2200VH	4	8	4	110	A-L	4-250	14-2/0 Cu 12-2/0 Al
SU816F200PS ^{63 64}			None	UG	22		QOM2200VH	8	16	8	110			14-2/0 Cu 12-2/0 Al
SC816F200PS ^{63 64}			None	OH/UG	22		QOM2200VH				200			8-2/0
Semiflush Mount Only														
SC816F200PF ^{63 64}	200	225	None	OH ⁶⁵ /UG	22	1	QOM2200VH	8	16	8	200	A-L	4-250	8-2/0
Ringless, Homeline														
Surface Mount Only														
RU48F100PS ⁶³	100	225	None	UG	22	1	QOM2100VH	4	8	4	70	A-L	4-250	14-2/0 Cu 12-2/0 Al
RU48F100PSL ⁶³			Lever				QOM2100VH							
RU48F125PS ⁶³	125	225	None	UG	22	1	QOM2125VH	4	8	4	70	A-L	4-250	14-2/0 Cu 12-2/0 Al
RU48F150PS ⁶³	150	225	None	UG	22	1	QOM2150VH	4	8	4	110	A-L	4-250	14-2/0 Cu
RU816F150PS ⁶³							QOM2150VH	8	16	8				12-2/0 Al
RU48F200PS ⁶³	200	225	None	UG	22	1	QOM2200VH	4	8	4	110	A-L	4-250	14-2/0 Cu
RU816F200PS ⁶³			None					8	16	8				12-2/0 Al
RU816F200PSH ⁶³			Horn											
RU816F200PSL ⁶³			Lever											
RU816M200PS			None											

62. Order separately.
 63. Supplied with load side feed-thru lugs, for four AWG-250 kcmil Al/Cu conductors.
 64. Meets EUSERC requirements.
 65. Suitable for OH service with addition of tunnel kit SCTKP20.

Wiring Diagram Label Sample

SQUARE D METER MAIN COMBINATION SERVICE ENTRANCE DEVICE CUSTOMER OWNED EQUIPMENT

Catalog number	Series
QU816F200PS	M00

Technical information

120/240 V~, 1Ø - 3 wires 50 – 60 Hz
208Y/120 V~, 1Ø - 3 wires 50 – 60 Hz
(From a 3Ø – 4 wires system)
Mains 200A Max
(See Service disconnect for ratings)
Bus Rating 225A Max
Meter Socket Rated 200A continuous
Suitable for Underground Service ONLY
Line Terminals suitable for No. 4 AWG to 300 kcmil wire .
Feed through lugs suitable for No. 4 to 300 kcmil wire.
Suitable for use with 75°C Copper or Aluminum Line and Feed through Conductors
Rainproof type 3R Enclosure

Service Disconnect

To disconnect all load conductors from the utility supply conductors, turn off circuit breaker handle marked SERVICE DISCONNECT.
Use only SQUARE D type QOM2 Service Disconnect and replacement parts with this product.
Order Catalog No. **QOM2200VH**
For service disconnect replacement.
Torque Note: When Main Breaker or Feed though connector mounting nuts are loosened or removed, retighten to 75 lbs-in torque.
Main base screw must be retightened to 15 lbs-in torque.

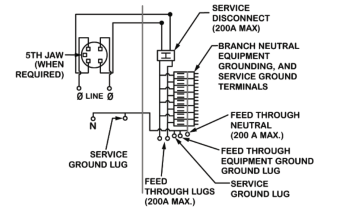
SCCR

Short circuit current rating = 22,000A RMS @ 120/240V~ Maximum with type QOM2 Service Disconnect (with 22,000A interrupting rating) and types HOM or HOMT Branch circuit breakers (with 10,000A interrupting rating)
Replacement Service disconnect must have an interrupting rating equal to or greater than the Service disconnect presently installed.
Suitable ONLY for use as service equipment.
Additional or replacement Branch circuit breakers must have an interrupting rating equal to or greater than that of the circuit breaker with the lowest interrupting rating presently installed.
Watt-hour meter not included in short circuit rating. When SRKUGMM is installed, Short Circuit Current rating= 10,000A RMS

Neutral Lugs and Ground Bar Kits and Lug Torque Information

All unused neutral terminals may be used for terminating equipment grounding.

WIRE RANGE AWG/kcmil	TORQUE lb-in
LINE LUGS (PHASE AND NEUTRAL)	
4 - 300 CU/AL	250
SERVICE GROUND LUG	
8 - 2/0 CU/AL	50
FEED THROUGH LUGS (PHASE AND NEUTRAL)	
4 - 300 CU/AL	250
FEED THROUGH EQUIPMENT GROUNDING LUG	
14 - 2/0 CU 12 - 2/0 AL	50



Circuit breakers

Two single pole, one plug-on space type QOT or one single pole type QO or QOP.
Two pole type QO or QOA (15 - 110A) may plug on two adjacent spaces.
Use 15 - 110A branch breakers ONLY.
Use ONLY Square D type QO, QOT (Non-CTL), QOA or QOP branch circuit breakers and replacement parts with this product.
See Branch breakers for Branch wire ratings and wire binding screw torques. Remove twist outs only as needed when circuits are installed.
Close unused circuit breaker openings with filler plates.
Order catalog No. **QOFF**
Each filler plate closes one single pole circuit breaker opening.

Alternative energy sources

Turning off parallel energy source disconnect does not de-energize this panel.
Turn off Power from all sources supplying this equipment before working inside
Suitable for connection to utility interactive Equipment in accordance with article 705 of the National Electrical Code, ANSI/NFPA 70
Order solar ready sub feed lug KIT cat. SRKUGMM.

Accessories and Replacement parts

5th Jaw Kit	5J
Grounding Bar Kit	PK15GTA
Barrel Lock Kit	SCBRLLOCK
Generator Kit	QUCUCK
Whole Home SPD	QO2175SB or QO250PSPD
**Nipple Mounted SPD	HEPD25 - 80 or SDSA1175
Horn Bypass Kit	MMBH
Wiser Energy Monitoring System	WISEREM or WISEREMPV

For Replacement parts contact the local Square D sales office
**Do not use front area Knockouts to prevent interference with load center door

MTR14790 Made in Mexico **67**

- Number of circuits maximum
- Enclosure catalog number
- Service equipment marking
- Voltage ratings
- Amperage rating

- Service disconnect

- Short circuit ratings

- Wire range for lug torque data table

- Label part number

- Alternate wiring diagram for meter main

- Square D circuit breakers that may be used in this meter main

- Alternative energy sources

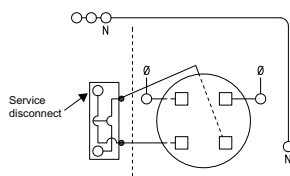
- Meter main accessories

- Plant code

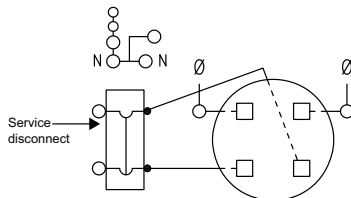
Meter Main Wiring Diagrams

NOTE: See each catalog number's associated technical drawing online for additional wiring diagram details.

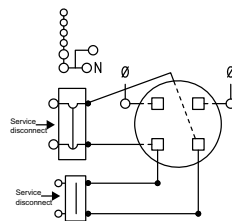
Table 6 - Standard Meter Mains (100–200 A)



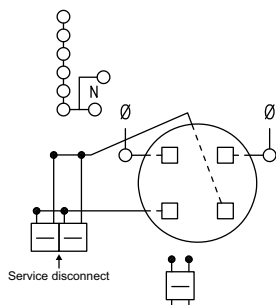
Cat. No.
C125RB



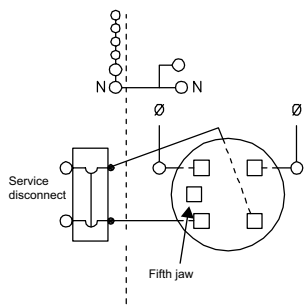
Cat. No.
CM200S



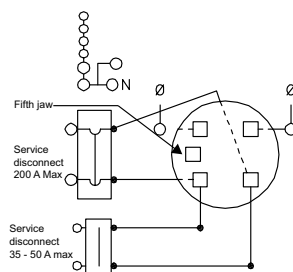
Cat. No.
C2M200S



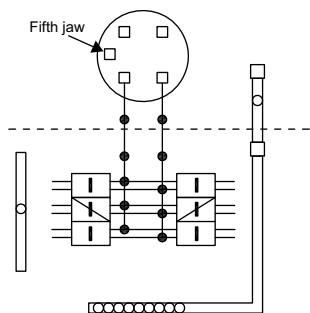
Cat. No.
C4L200S



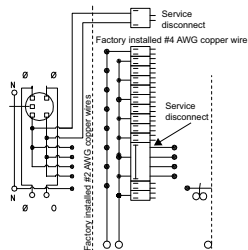
Cat. No.
RC200S



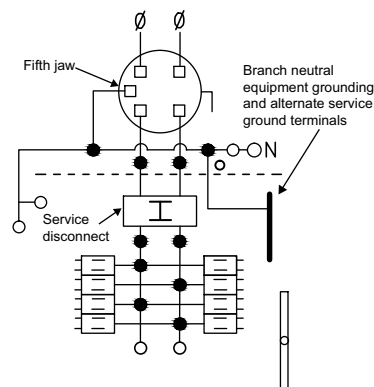
Cat. No.
RC2M200S
RC2M200SH



Cat. No.
QC12L200C
RC12L200C

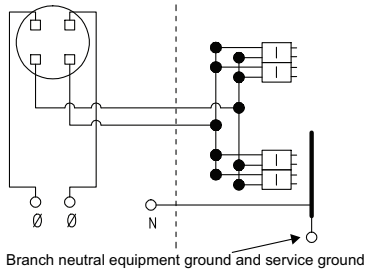


Cat. No.
RC816D200CH

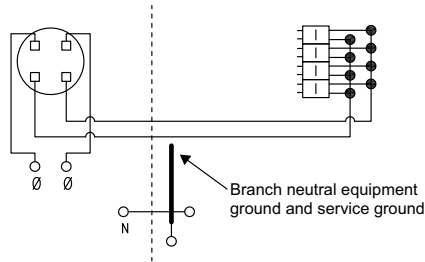


Cat. No.
RC816F150SL
RC816F200SL
QC816F200SL

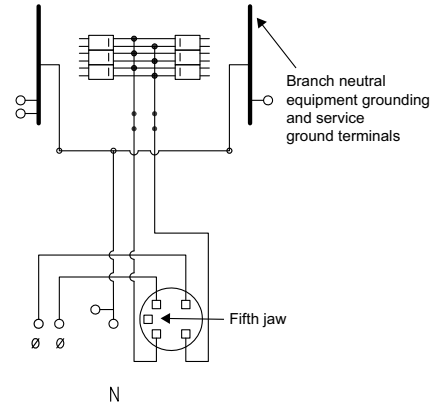
Table 6 - Standard Meter Mains (100–200 A) (Continued)



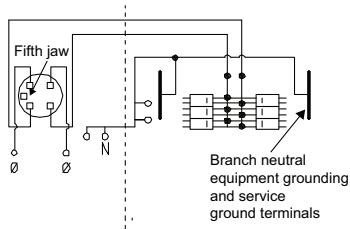
Cat. No.
SC8L125F



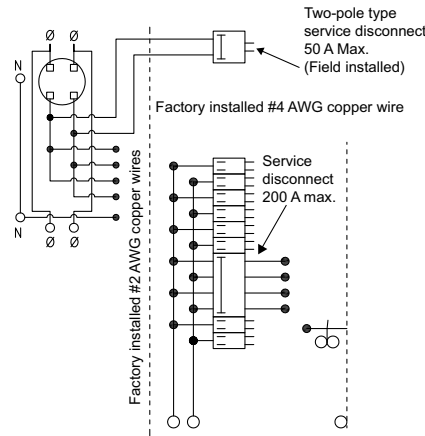
Cat. No.
SC8L125S
RC8L125S



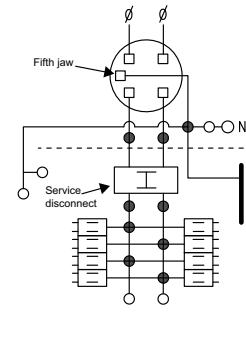
Cat. No.
SC12L200F



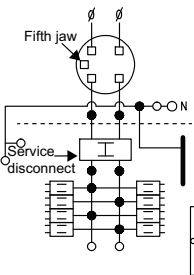
Cat. No.
SC12L200S



Cat. No.
SC816D150C
SC816D200C

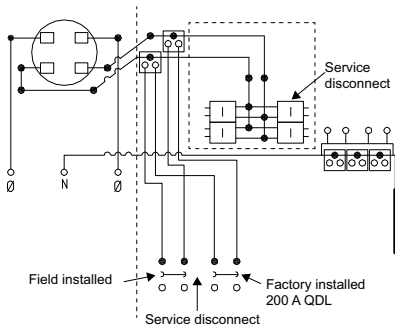


Cat. No.	
QC816F150S	RC816F150SH
QC816F200S	RC816F200S
RC816F100SH	RC816F200SH

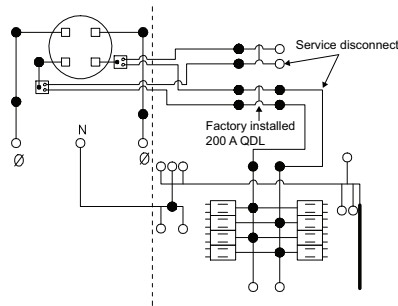


Cat. No.	
QC816F100CH	RC816F125CH
QC816F125C	RC816F150C
QC816F150C	RC816F150CH
QC816F200CH	RC816F200C
RC816F100CH	RC816F200CH

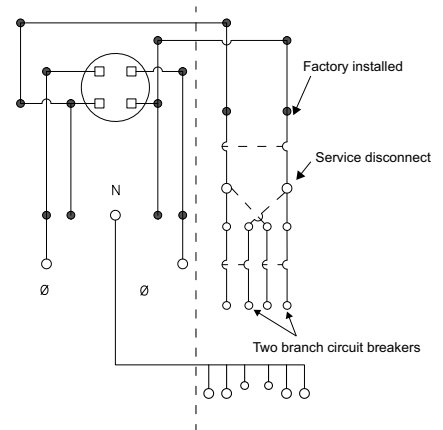
Table 7 - Standard Meter Mains (400 A)



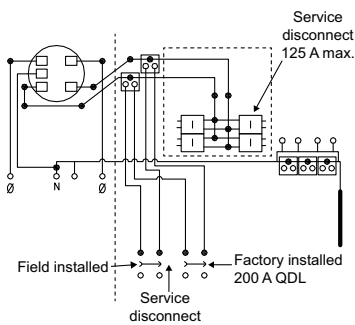
Cat. No.
CU12L400CN
CU12L400CB



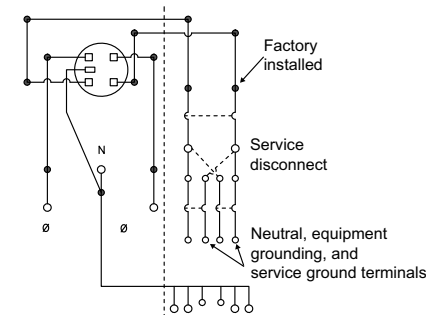
Cat. No.
CU816D400CN
CU816D400CB



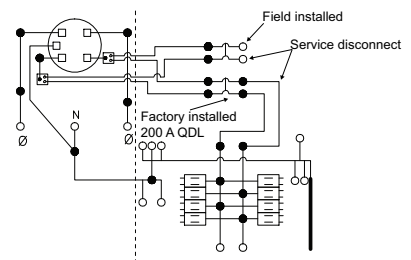
Cat. No.
CUM400CB



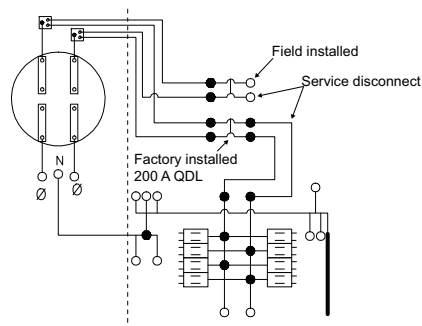
Cat. No.
QU12L400SL
QU12L400CL



Cat. No.
QUM400CL



Cat. No.
QU816D400SL
QU816D400CL

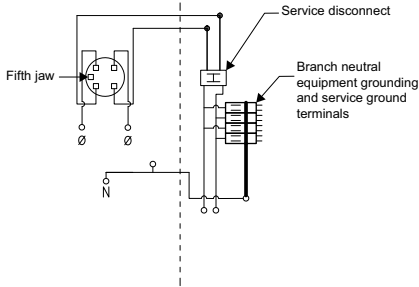


Cat. No.
QU816D400CK

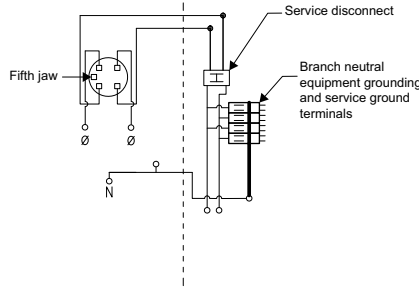
Solar Ready Plug-on Neutral (PoN) Meter Mains

NOTE: See each catalog number's associated technical drawing online for additional wiring diagram details.

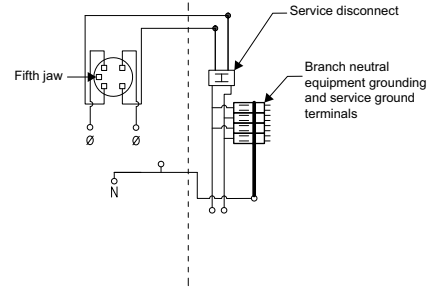
Table 8 - Solar Ready Plug-on Neutral (PoN) Meter Mains (100–200 A)



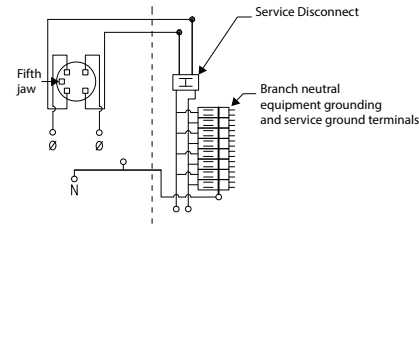
Cat. No.
RU48F100PS
QU48F100PS



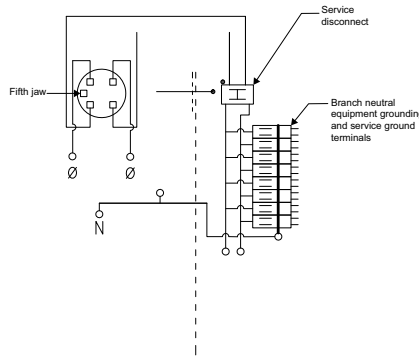
Cat. No.
RU48F125PS
QU48F125PS



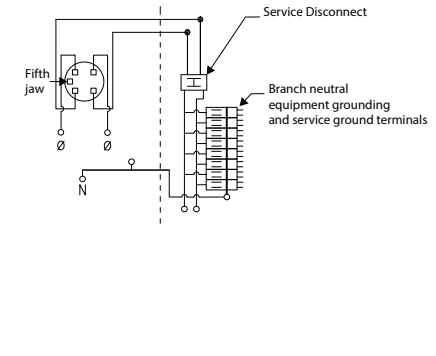
Cat. No.
RU48F150PS
QU48F150PS



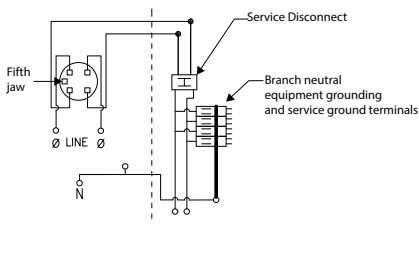
Cat. No.
SU816F100PS
CU816F100PS



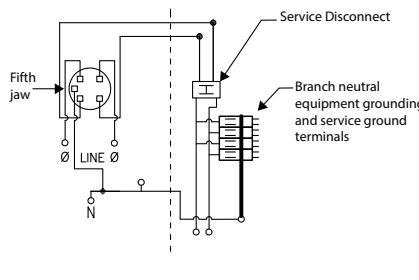
Cat. No.
RU816F150PS
QU816F150PS



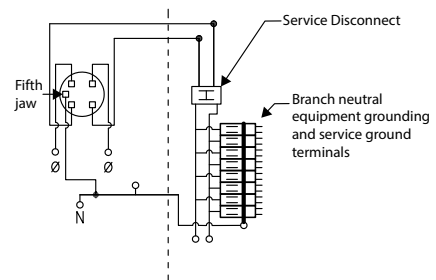
Cat. No.	
SU816F200PS	CU816F200PS
RU816F200PSH	QU816F200PS
RU816F200PS	



Cat. No.	
SU48F200PS	CU48F200PS
RU48F200PS	QU48F200PS

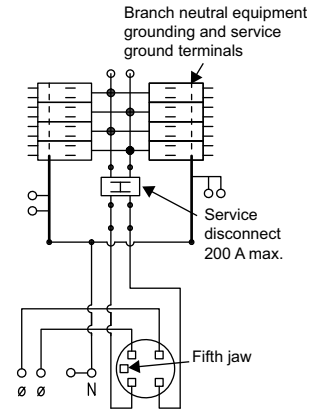
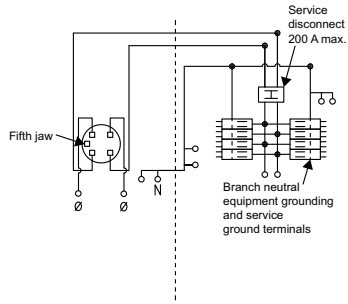
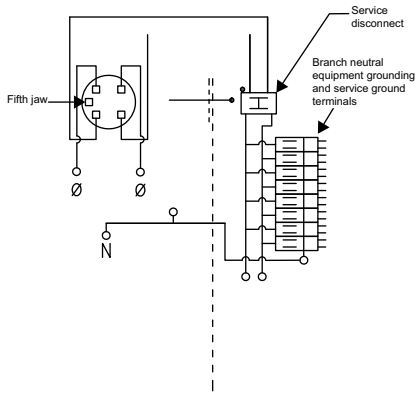


Cat. No.
QU48F100PSL
RU48F100PSL



Cat. No.
QU816F200PSL
RU816F200PSL

Table 8 - Solar Ready Plug-on Neutral (PoN) Meter Mains (100–200 A) (Continued)



Cat. No.
RU816M200PS
QU816M200PS

Cat. No.
SC816F150PS
SC816F200PS

Cat. No.
SC816F200PF

All-in-Ones



Square D brand All-in-Ones are a single phase power distribution panels ideal for residential use. They provide a meter socket that supports a standard utility meter, a main disconnect, and load center distribution with spaces for up to forty-two circuits.

This single compact solution provides a time and space saving solution for contractors and installers. Square D All-in-One products meet a wide range of applications in use today. Consult the local utility for a specific list of approved devices.

Features

- Ring or ringless styles available
- Available in two styles for either QO or Homeline circuit breaker formats
- Rating Max: 100–400 A
- Available in ten to forty-two branch circuit space configurations semi-flush
- Available plug-on neutral option
- Dedicated surface and semi-flush mounting styles
- Multiple disconnect units can be converted to semi-flush with addition of flange kit
- Generator kits available to provide switching method between main utility service and backup power source
- NEC 2020 for most models
- Solar ready available option
- Some models are Wiser Energy compatible

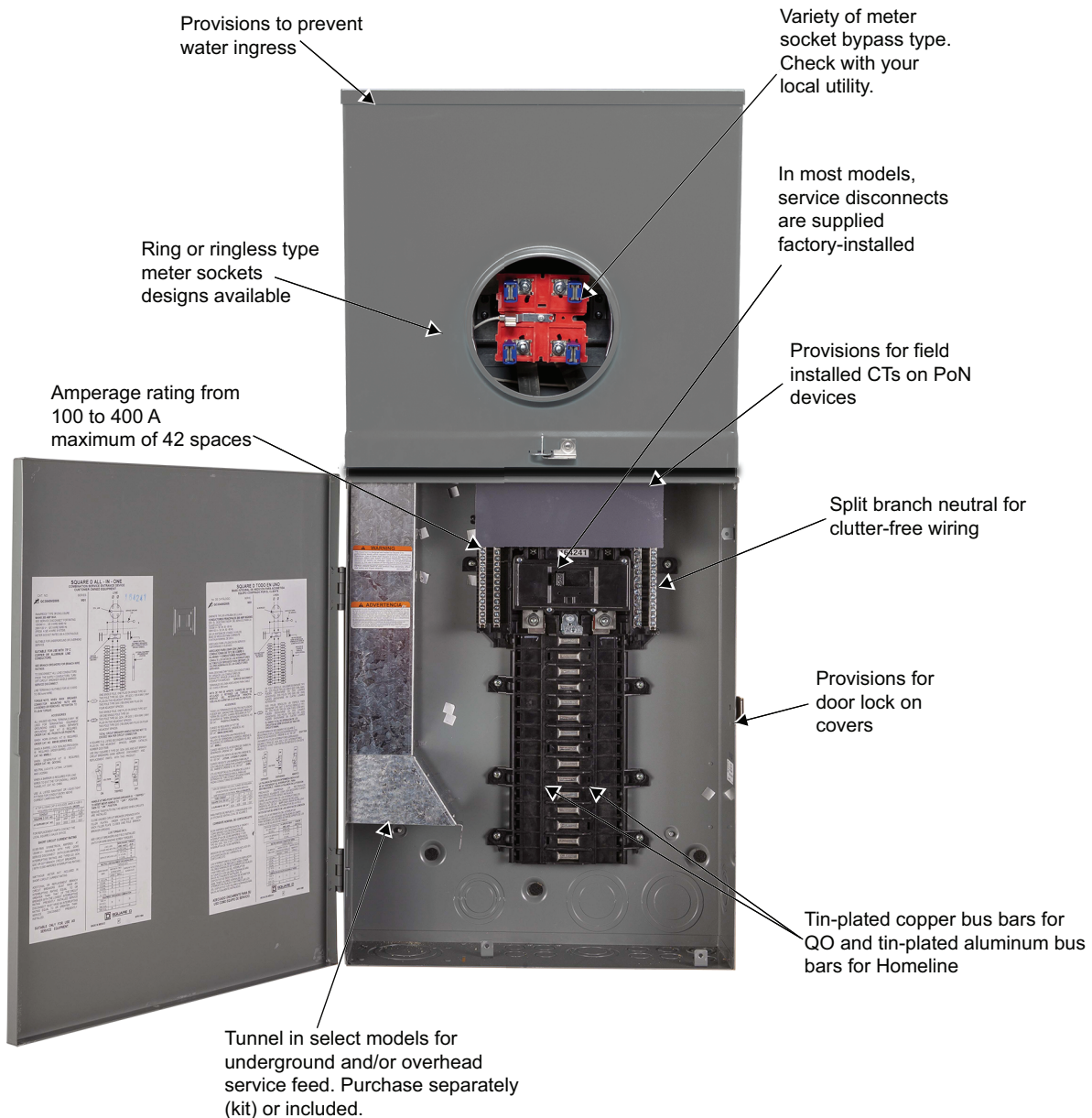
The Plug-on Neutral advantage:

- Faster installation – fewer connections
- Saves wire – fully distributed split neutral bar
- Frees gutter space – no pigtails

All-in-One Product Description

Designed specifically for areas where local codes allow main breaker load centers to be mounted outdoors.

All-in-One devices provide installation labor savings and have been designed specifically for areas where local codes allow main breaker load centers to be mounted outdoors. Simplify adding solar, EV charging, batteries, and generators to the home with the award-winning Schneider Pulse.



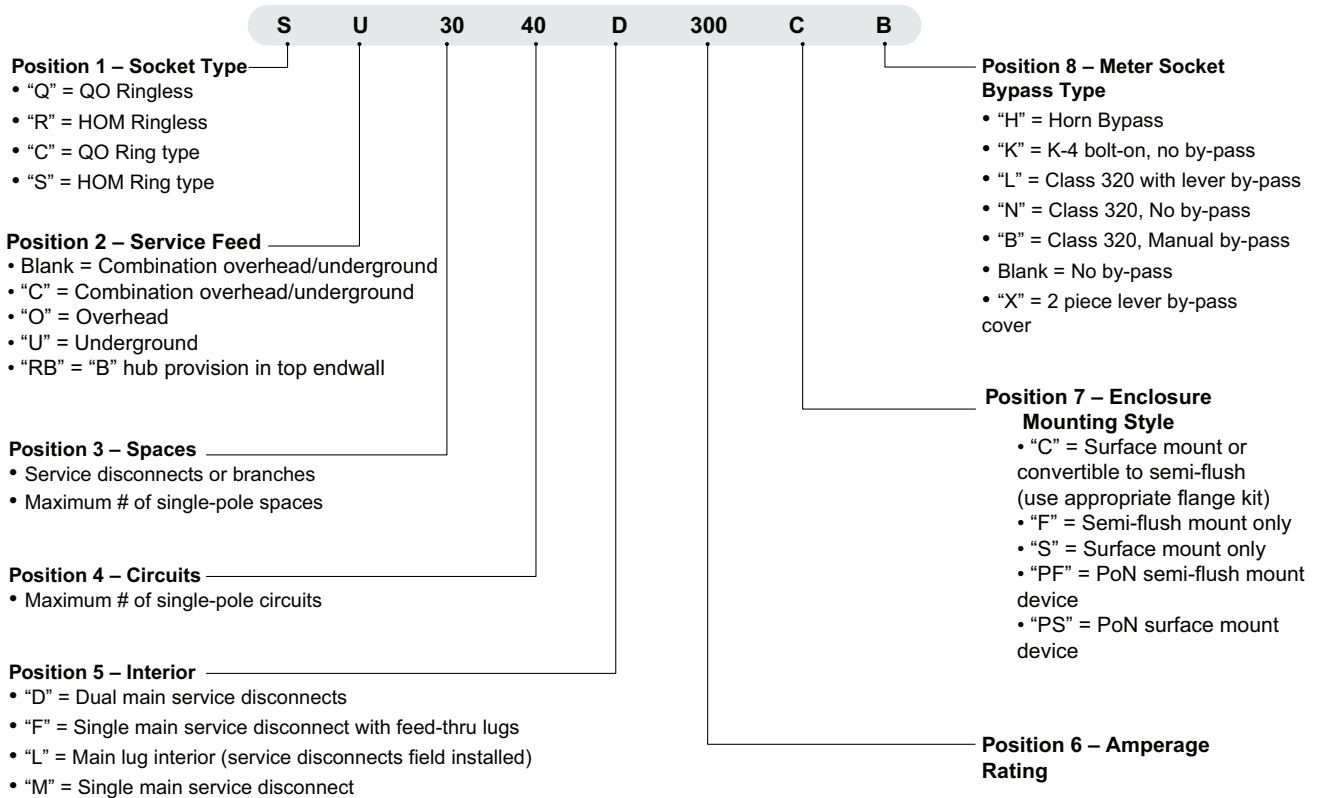
Other Features

- **Circuit breaker compatibility** –QO 3/4-inch format and Homeline one-inch format. Some interiors (solar ready) accept plug-on neutral (PoN) and pigtail style branch circuit breakers.
- **Backed out neutral screws** –save labor and installation time.
- **Standard 22 kA / 10 kA AIR SCCR** –standard short-circuit series rating for most CSEDs provides increased application capability. (Some CSEDs have a different SCCR, see product Technical Information to confirm.)
- **Neutrals and ground** –supplied with 100% branch neutrals; all unused terminals may be used for equipment grounding wires.

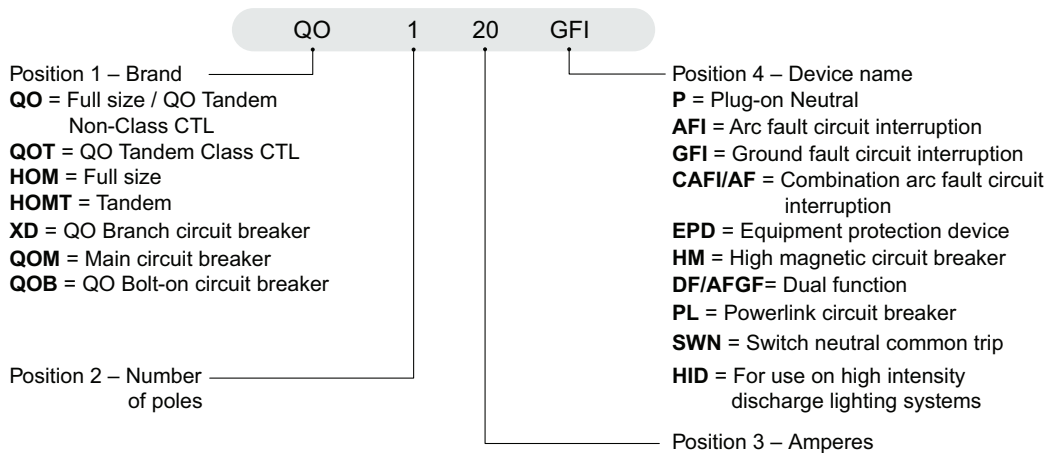
- **Twistouts** –twistouts are factory removed in some models for easier installation of circuit breakers.
- **Screws** –combination slot/square-drive neutral, ground and cover screw accommodate both standard flat blade screwdrivers and square-head drivers.
- **UL Listed** –suitable only for use as service equipment.

Catalog Number Description

All-in-One Catalog Number Description



Circuit Breaker Catalog Number Guide



General Information and Application Data



SC3042M225PF



SU3040D300FB



RC3040M200SL

Type

Combination service entrance devices (CSED) for use on electrical systems are UL Listed under File E-6294 (panelboards) and meet Federal Specifications W-P-115c, Type 1, Class 2 for use in government housing.

Ratings

Single-Phase, Rating Max: 100–400 A

Neutral Assemblies

Branch neutral terminals are suitable for one #14–#4 AWG copper or one #12–#4 AWG aluminum wire.

Suitable lugs are provided on the neutrals for termination of the grounding conductor.

All unused neutral terminals may be used to terminate bare or green equipment grounding conductors:

- one #14–#4 AWG copper
- one #12–#4 AWG aluminum
- two or three #14–#10 AWG copper
- two or three #12–#10 AWG aluminum

Phasing

CSEDs have distributed phase bussing.

Most branch circuit breakers can be mounted in any position.

UL Listed

File E-6294 (panelboards) UL67 standard enhances safety in electrical distribution panels. Suitable for use as service equipment. Suitable for use with 75°C copper or aluminum main conductors.

Class CTL

UL Listed Class CTL load centers meets the 2020 National Electrical Code (NEC) article for Lighting and Appliance Branch Circuit Panelboards.

NOTE: Only applicable on non-plug on neutral load centers.

Service

120 / 240 Vac, 1 ϕ 3W

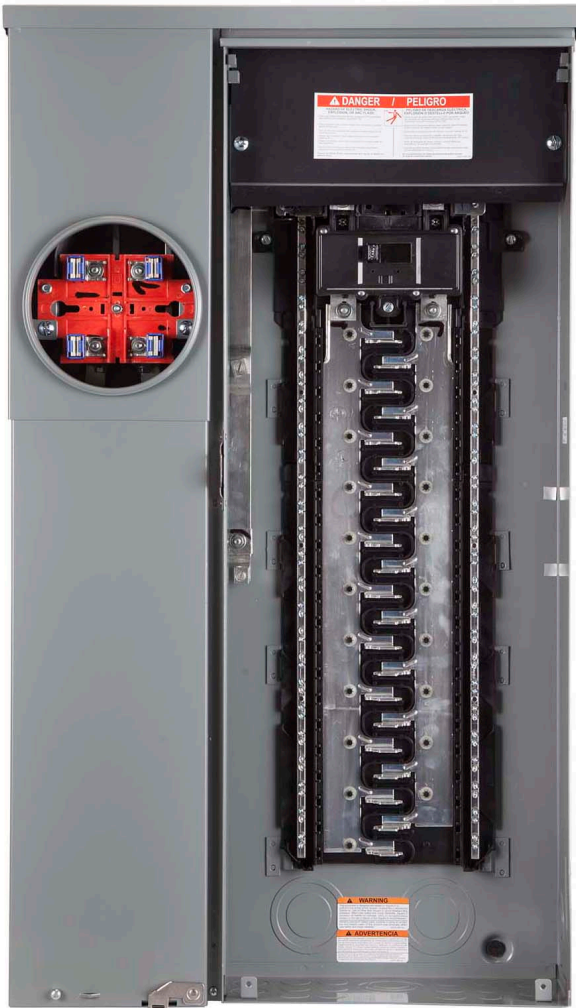
208Y / 120 Vac, 1 ϕ 3W

Line Lugs

All lugs suitable for 75°C copper or aluminum wires.

CSEDs have wire binding screw torque values on the wiring diagrams and circuit breaker labels.

QO and Homeline All-In-Ones



Homeline All-in-One

NEMA Type 3R – Rainproof

NEMA 3R enclosures are typically used in outdoor applications for wiring and junction boxes. This style of enclosure provides protection against falling rain, sleet, snow, and external ice formation. This style of enclosure does not have a gasketed sealing surface. Some models have hasps for padlocking.

Square D by Schneider Electric CSEDs are suitable for use as service equipment only in residential applications where local codes require service disconnects to be located outside the dwelling.



QO All-in-One

QO and Homeline All-In-Ones

QO and Homeline all-in-ones have different physical qualities, yet they both fulfill the same function. Contact the local utility to know which metering enclosure to use in your area.

Circuit breaker format - QO: $\frac{3}{4}$ inch per 1 pole space/ Homeline: 1 inch per 1 pole space.

Meter socket type - QO: Ring type and ringless/ Homeline: Ring type and ringless

Backed-out neutral terminal screws - QO: Top and split neutral/ Homeline: Fully distributed split neutral

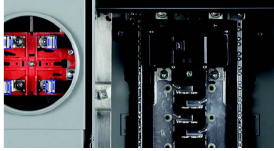
Bus bars - QO: Shielded, tin-plated copper/ Homeline: Not shielded, tin and copper plated aluminum

Rainproof Enclosures



QO and Homeline Plug-on Neutral (PoN)

Plug-on Neutral CSEDs are an available option that offer time-savings for Plug-on Neutral Combination Arc Fault (CAFI) and dual function circuit breaker installation. Our innovative, split neutrals are designed to save time and wire, allowing plug-on neutral circuit breakers to connect directly to the neutral bar without the pigtail.



Material and finish

Galvanized steel enclosure includes interior trim and door with a gray powder coating. QO interiors have tin plated copper bus bars and Homeline interiors have tin and copper plated aluminum bus bars.



Stainless steel latch

A stainless steel door latch on the enclosure provides closure and maximum durability.



Wiring access without door removal

CSEDs are side-hinge or top-hinge door devices, providing full wiring access without door removal.



Hubs

Square D type rain-tight hubs provide fast and convenient top or bottom feed conduit connection. Hubs are suitable for use with conduit having ANSI standard taper pipe thread. Closing plates available for A, A-L and B hub openings.



Filler plates

Snap-in style filler plates are accessories purchased separately available to cover unused spaces. HOMFP and QOFP filler plates available for branch circuit breaker spaces in all of our covers.



Different meter socket types

Ring or ringless type meter socket designs available. After all work has been done and the meter has been fastened, a sealing or locking mechanism is placed in either form. Check with your local utility the sort of meter mounting to be utilized in a given location.

All-in-One Technical Information

100–200 A Standard All-in-Ones



QC2442M200C



QC3040M200S



QC3040M200SH

Table 9 - QO Rainproof All-In-Ones (1Ø3W—120/240 Vac Rainproof—UL Listed)

Cat. No.	Ampere Rating	Bypass Type	Service (Type of Feed)	SCCR (kA)	Service Disconnect(s)			Load Center and Branch Circuit Breakers ⁶⁶				Hub Type ⁶⁷	Line Side Main Lugs AWG/kcmil (Al/Cu)	Service Ground Lug AWG/kcmil (Al/Cu)
					2P Circuits (Max.)	Type (Factory installed)	Ampere Rating Max.	Max. Quantity			Ampere Rating Max.			
								Spaces	1P					
						Cir-cuits	Tan-dems							
Ringless Type														
Surface Mount Only														
QC2442M200C ⁶⁸	200	None	OH/UG ⁶⁹	22	1	QOM2200VH	200	24	42	18	200	A	6–350	8–2/0
QC2442M200SH ⁶⁸		Horn												
QC2442M200CH ^{68 70}		None												
QC3040M200S		None												
QC3040M200SH		Horn												

66. Order separately. To order branch circuit breakers, see Circuit Breakers for use with Meter Mains and All-in-One Devices, page 44.

67. Order separately. To order hubs, see Hubs, page 45.

68. Device supplied with barrel lock provisions factory-installed.

69. Device does not meet EUSERC Specifications.

70. Fifth jaw factory-installed.



Table 10 - Homeline Rainproof All-In-Ones (1Ø3W—120/240 Vac Rainproof—UL Listed)

Cat. No.	Ampere Rating	Bypass Type	Service (Type of Feed)	SCCR (kA)	Service Disconnect(s)			Load Center and Branch Circuit Breakers ⁷¹				Hub Type ⁷²	Line side Main Lugs AWG/kcmil (Al/Cu)	Service Ground Lug AWG/kcmil (Al/Cu)
					2P Circuits (Max.)	Type (Factory installed)	Ampere Rating Max.	Max. Quantity			Ampere Rating Max.			
								Spaces	1P					
								Cir-cuits	Tan-dems					
Ring Type														
Surface Mount Only														
SC1624M100S	100	None	OH/UG	10	1	HOM2100	100	16	24	8	100	A	6-2/0	6-2/0
SO1020M100S								10	20	10	80		6-1	8-4
SC1624M125S	125	None	OH/UG	10	1	HOM2125	125	16	24	8	125 ⁷³	A	6-2/0	6-2/0
SC2040M200C ⁷⁴	200	None	OH/UG	10	1	HOM2200	200	20	40	20	100	A or	6-300	8-1/0
SO2040M200S	200	None	OH ⁷⁵	22	1	QOM2200VH	200	20	40	20	200	A-L A	6-350	8-2/0
Semiflush Mount Only														
SC1624M100F	100	None	OH/UG	10	1	HOM2100	100	16	24	8	100	A or B300	6-2/0	6-2/0
SC1624M125F	125	None	OH/UG	10	1	HOM2125	125	16	24	8	110	A or B300	6-2/0	6-2/0
Ringless Type														
Surface Mount Only														
RC1624M100S	100	None	OH/UG ⁷⁵	10	1	HOM2100	100	16	24	8	100	A	6-2/0	6-2/0
RC2040M125CH ^{76 77}	125	Horn	OH/UG ⁷⁵	22	1	QOM2125VH	125	20	40	20	125	A	6-350	6-2/0
RC2040M150SH ⁷⁶	150	Horn	OH/UG ⁷⁵	22	1	QOM2150VH	150	20	40	20	150	A	6-350	6-2/0
RC2040M150CH ^{76 77}		Horn				QOM2150VH								
RC3040M150SL ⁷⁸		Lever				QOM2150VH ⁷³								
RC2040M200S ⁷⁶	200	None	OH/UG ⁷⁵	22	1	QOM2200VH	200	20	40	20	200	A	6-350	6-2/0
RC2040M200C ⁷⁶						QOM2200VH								
RC2040M200CH ⁷⁶		Horn				QOM2200VH								
RC3040M200SL ⁷⁸		Lever				QOM2200VH ⁷³								
RC2040M200CGP		None				QOM2200VH		20		20				
						QOM2200VH		20		20				

71. Order separately. To order branch circuit breakers, see Circuit Breakers for use with Meter Mains and All-in-One Devices, page 44.
 72. Order separately. To order hubs, see Hubs, page 45.
 73. 125 A Homeline 2P circuit breaker can be installed in top position only. All other positions are limited to 100 A max.
 74. Convertible to semiflush with SC200F flange kit (order separately).
 75. Device does not meet EUSERC Specifications.
 76. Device supplied with barrel lock provisions factory-installed.
 77. Fifth jaw factory-installed.
 78. Suitable for load wires to exit top endwall with addition of Tunnel Kit OHBL, see Accessories, page 45, check with local utility for approval.

300–400 A All-in-Ones



SU3040D300FB



SU3040D400CB



RU3040D400CL

Table 11 - Homeline Rainproof All-In-Ones (1Ø3W—120/240 Vac Rainproof—UL Listed)

Cat. No.	Rating (A)	Bypass Type	Service (Type of Feed)	SCCR (kA)	Service Disconnect(s) ⁷⁹			Load Center and Branch Circuit Breakers ⁸⁰				Hub Type ⁸¹	Line side Main Lugs AWG/kcmil (Al/Cu)	Service Ground Lug AWG/kcmil (Al/Cu)
					2P Cir-cuits (Max.)	Type ⁸²	Rating (A) Max.	Max. Quantity			Rating (A) Max.			
								Spac-es	1P Cir-cuits	Tan-dems				
Ring Type														
SU3040D300CB ^{83 84}	300	Class 320 Manual	UG	25	1	QDL22200 ⁸⁵	200	30	40	10	200	A-L	(2) Studs	4–250
						QDL, QGL, QJL ⁸⁶	100							
SU3040D300FB ^{83 84}	300	Class 320 Manual	UG	25	1	QDL22200 ⁸⁵	200	30	40	10	200	A-L	(2) Studs	4–250
						QDL, QGL, QJL ⁸⁶	100							
SU3040D400CN ⁸³	400	None	UG	25	1	QDL22200 ⁸⁵	200	30	40	10	200	A-L	(2) Studs	4–250
						QDL, QGL, QJL ⁸⁶								
SU3040D400FN ⁸³	400	None	UG	25	1	QDL22200 ⁸⁵	200	30	40	10	200	A-L	(2) Studs	4–250
						QDL, QGL, QJL ⁸⁶								
SU3040D400CB ^{83 84}	400	Class 320 Manual	UG	25	1	QDL22200 ⁸⁵	200	30	40	10	200	A-L	(2) Studs	4–250
						QDL, QGL, QJL ⁸⁶								
SU3040D400FB ^{83 84}	400	Class 320 Manual	UG	25	1	QDL22200 ⁸⁵	200	30	40	10	200	A-L	(2) Studs	4–250
						QDL, QGL, QJL ⁸⁶								
Ringless Type														
RU3040D400CL ^{87 84}	400	Class 320 Lever	UG	25	1	QDL22200 ⁸⁵	200	30	40	10	200	A-L	(2) Studs	4–250
						QDL, QGL, QJL ⁸⁶								
RU3040D400CK ⁸⁴	400	K–4 Bolt-on	UG	25	1	QDL22200 ⁸⁵	200	30	40	10	200	A-L	(2) Studs	4–250
						QDL, QGL, QJL ⁸⁶								

79. UL short circuit current rating is equal to the lowest interrupting rating of any circuit breaker installed.
 80. Order separately. To order branch circuit breakers, see Circuit Breakers for use with Meter Mains and All-in-One Devices, page 44.
 81. Order separately. To order hubs, see Hubs, page 45.
 82. Order separately. To order service disconnects, see Generator Circuit Breaker Interlock kit Interlocks main service disconnect and generator circuit breaker (order separately), page 47.
 83. For use only on 120/240 Vac 1Ø3W system (four-jaw meter socket).
 84. Device configuration is not included in EUSERC standards. Consult applicable utility for acceptance.
 85. Service disconnect supplied factory-installed.
 86. Additional service disconnect for field-installation: order prefix QBL at 10 kA, QDL at 25 kA, QGL at 65 kA, or QJL at 100 kA. Order separately. For complete circuit breaker catalog number, see Digest Section 7.
 87. Fifth jaw factory-installed.

125–225 A Solar Ready Plug-on Neutral All-in-Ones



SC2040M200PS



SC3042M200PS



SC3042M225PF

Table 12 - Homeline Solar Ready PoN All-In-Ones (1Ø3W—120/240 Vac Rainproof—UL Listed)

Cat. No.	Rating (A)	Bus Bar Rating (A)	Bypass Type	Service (Type of Feed)	SCCR (kA)	Service Disconnect(s)		Load Center and Branch Circuit Breakers ⁸⁸				Hub Type ⁸⁸	Line side Main Lugs AWG/kcmil (Al/Cu)	Service Ground Lug AWG/kcmil (Al/Cu)
						2P Circuits	Type (Factory installed except where noted)	Spaces	Circuits	Tandems	Rating (A) Max.			
Ring Type, Homeline														
Surface Mount Only														
SC2040M200PS ⁸⁹	200	225	None	OH/UG	22	1	QOM2200VH	20	40	20	200	A-L	4–250	8–2/0
SC3042M200PS ⁸⁹							QOM2200VH	30	42	12				
SC42M200PS ⁸⁹							QOM2200VH	42	42	0				
Semiflush Mount Only														
SC2040M125PF ⁸⁹	125	225	None	OH ⁹⁰ /UG	22	1	QOM2125VH	20	40	20	110	A-L	4–250	8–2/0
SC2040M200PF ⁸⁹	200	225	None	OH ⁹⁰ /UG	22	1	QOM2200VH	20	40	20	200	A-L	4–250	8–2/0
SC3042M200PF ⁸⁹				OH ⁹⁰ /UG				30	42	12				
SC3042M225PF ⁸⁹	225	225	None	OH ⁹⁰ /UG	22	1	QOM2225VH	30	42	12	200	A-L	4–250	8–2/0

88. Order separately.

89. Meets EUSERC requirements.

90. Suitable for OH service with addition of tunnel kit SCTKP20. Check with local utility for approval and order separately.

Wiring Diagram Label Sample

SQUARE D ALL - IN - ONE COMBINATION SERVICE ENTRANCE SOLAR READY DEVICE CUSTOMER OWNED SERVICE EQUIPMENT

CAT. NO. **SC3042M200PF** SERIES **M02**

RAINPROOF TYPE 3R SEMI-FLUSH ENCLOSURE
PLACE BUILDING PAPER OR FLASHING OVER
THE FLANGE

MAINS 200A MAX.

BUS RATING 225A MAX.

200A MAX UTILITY RATING

SEE SERVICE DISCONNECT FOR RATING
(20/240 V, 1P, 3W)
METER SOCKET RATED 225A (200A CONTINUOUS).
SUITABLE FOR UNDERGROUND SERVICE.
SUITABLE FOR OVERHEAD SERVICE WHEN
TUNNEL KIT IS INSTALLED.

**SUITABLE FOR USE WITH 75°C COPPER
OR ALUMINUM LINE CONDUCTORS**
SEE BRANCH BREAKERS FOR BRANCH WIRE
RATINGS.

BRANCH BREAKER LOAD CONDUCTORS	MAX WIRE (AWG/Cu/Al)	MAX BRANCH BREAKER
LEFT SIDE WITHOUT TUNNEL	300 Cu/Al	200A
LEFT SIDE WITH TUNNEL	#2 Cu #2 Al	100A 90A
RIGHT SIDE	#2 Cu #2 Al	100A 90A

TO DISCONNECT ALL LOAD CONDUCTORS FROM
THE SUPPLY CONDUCTORS, TURN OFF CIRCUIT
BREAKER HANDLE MARKED SERVICE DISCONNECT
LINE TERMINALS SUITABLE FOR NO. 4 AWG TO
250kcmil WIRE

TORQUE NOTE: WHEN MAIN BREAKER
CONNECTOR MOUNTING NUTS ARE LOOSENED
OR REMOVED, RETIGHTEN TO 75 LB-IN TORQUE

**TURNING OFF THE PARALLEL ENERGY SOURCE
DISCONNECT DOES NOT DE-ENERGIZE THIS PANEL.
TURN OFF POWER FROM ALL SOURCES SUPPLYING
THIS EQUIPMENT BEFORE WORKING INSIDE.**

ACCESSORIES

ALL UNUSED NEUTRAL TERMINALS MAY BE USED
FOR TERMINATING EQUIPMENT GROUNDING
WIRES, WHEN SEPARATE GROUNDING BAR KIT IS
REQUIRED, ORDER CAT. NO. PK15GTA OR
PK15GTA-L

A NEUTRAL LUG KIT IS REQUIRED FOR
TERMINATION OF NO. 3 AWG OR LARGER
CONDUCTOR ON PANELBOARD NEUTRAL BAR,
ORDER KIT SEPARATELY.

CATALOG NO.	WIRE RANGE (AWG)	BRANCH BREAKER
LK70BAN	14-4 Cu 12-2 Al	70A
LK100BAN	6-2/0 Cu/Al	125A
LK225ANHOM	6-300 Cu/Al	200A

WHEN 5TH JAW KIT IS REQUIRED ORDER CAT. NO.5J
WHEN OVERHEAD SERVICE ENTRANCE IS
REQUIRED, ORDER TUNNEL KIT CAT. NO. SCKTP30

WHEN A HUB IS REQUIRED FOR SERVICE ENTRANCE THROUGH THE BOTTOM ENDWALL ORDER HUB SEPARATELY.	
CONDUIT	1-1/4" 1-1/2" 2" 2-1/2" 3"
ADAPTER PLATE	AAP A1P A2P A3P
AND HUB	A250 A350 A500 A650
OR HUB ASSY	A200L A250L A300L

ORDER KIT CAT. NO. SCF1RAINCAP AND INSTALL
ON THE TOP ENDWALL WHEN USED AS
TEMPORARY SITE SERVICE EQUIPMENT

FOR REPLACEMENT PARTS CONTACT THE LOCAL
SQUARE D SALES OFFICE
**SUITABLE FOR CONNECTION TO UTILITY INTERACTIVE
EQUIPMENT IN ACCORDANCE WITH ARTICLE 705 OF THE
NATIONAL ELECTRICAL CODE, ANSI/NFPA 70, ORDER
SOLAR READY SUBFEED LUG KIT CAT. NO. SR69054AF**

SHORT CIRCUIT CURRENT RATING.

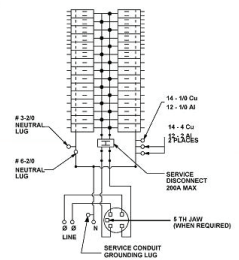
22,000 RMS SYMMETRICAL AMPERES AT 120/240 V
MAXIMUM WITH TYPE QOMZ SERVICE
DISCONNECT (WITH 22,000A INTERRUPTING
RATING) AND TYPES HOM, HOMP, HOMA OR HOMT
BRANCH CIRCUIT BREAKERS (WITH 10,000A
INTERRUPTING RATING)

WATTHOUR METER NOT INCLUDED IN
SHORT-CIRCUIT CURRENT RATING
ADDITIONAL OR REPLACEMENT BRANCH CIRCUIT
BREAKERS MUST HAVE AN INTERRUPTING RATING
EQUAL OR GREATER THAN THAT OF THE CIRCUIT
BREAKER WITH THE LOWEST INTERRUPTING
RATING PRESENTLY INSTALLED. REPLACEMENT
SERVICE DISCONNECT MUST HAVE AN
INTERRUPTING RATING EQUAL TO OR GREATER
THAN SERVICE DISCONNECT PRESENTLY
INSTALLED.

MEETS EUSERC SPECIFICATIONS

**SUITABLE ONLY FOR USE AS SINGLE
PHASE 3-WIRE RESIDENTIAL SERVICE
EQUIPMENT**

SUITABLE FOR USE AS TEMPORARY SITE SERVICE
EQUIPMENT WHEN TEMPORARY SERVICE
ACCESSORY KIT CAT. NO. SCF1RAINCAP PLUS THE
INSTALLATION OF A UL LISTED WEATHERPROOF
OUTLET BOX AND COVER CONTAINING A
RECEPTACLE THAT IS PROVIDED WITH GROUND
FAULT CIRCUIT PROTECTION FOR PERSONNEL.
MOUNT AT LEAST 24 INCHES (610mm) ABOVE
GROUND LEVEL. CONSULT LOCAL UTILITY FOR
MINIMUM METER MOUNTING HEIGHT



ONE SINGLE POLE, ONE PLUG ON
SPACE TYPE HOMT, ONE SINGLE POLE
POLE TYPE HOM OR HOMA (110-125A)
MAY PLUG ON TWO ADJACENT SPACES.
TWO POLE TYPE HOMA (150-200A) MAY
PLUG ON FOUR ADJACENT SPACES.

TOTAL CIRCUIT BREAKER HANDLE
RATING NOT TO EXCEED 160A PER
BRANCH CIRCUIT CONNECTOR.

TWO SINGLE POLE, ONE PLUG ON
SPACE TYPE HOMT, ONE SINGLE POLE
TYPE HOM OR HOMP, TWO POLE TYPE
HOMT OR HOM (15-100A) MAY PLUG ON
TWO ADJACENT SPACES.

USE 15-100A BRANCH BREAKERS ONLY.

TOTAL CIRCUIT BREAKER HANDLE
RATING NOT TO EXCEED 160A PER
BRANCH CIRCUIT CONNECTOR.

A SQUARE D UL LISTED SECONDARY SURGE
ARRESTER MAY PLUG ON TWO ADJACENT
SPACES, ORDER CATALOG NO. HOM2175SB.

USE ONLY SQUARE D TYPES HOM, HOMP, HOMA
OR HOMT BRANCH CIRCUIT BREAKERS, QOMZ
SERVICE DISCONNECT AND REPLACEMENT PARTS
WITH THIS PRODUCT.



HANDLE AT MID POSITION SHOWS BREAKER IS
TRIPPED, TO RESET, MOVE HANDLE TO "OFF"
POSITION, THEN TO "ON" POSITION.

REMOVE TWISTOUTS ONLY AS NEEDED WHEN
CIRCUITS ARE INSTALLED.

CLOSE UNUSED CIRCUIT BREAKER OPENINGS
WITH FILLER PLATES, ORDER CAT. NO. HOMFP-
EACH FILLER PLATE CLOSSES ONE POLE CIRCUIT
BREAKER OPENING.

LUG TORQUE DATA.

SEE CIRCUIT BREAKERS AND FIELD INSTALLED
UNITS FOR WIRE BINDING SCREW TORQUES.

LINE LUGS (PHASE AND NEUTRAL)	WIRE RANGE (AWG / kcmil)	TORQUE (LB.-IN)
	4-250 Cu / Al	250
SERVICE CONDUIT GROUNDING LUG	14 - 2/0 Cu 12 - 2/0 Al	50

**NEUTRAL LUGS FOR
TERMINATION OF #3 AWG OR
LARGER CONDUCTORS**

WIRE RANGE (AWG)	TORQUE (LB.-IN)
14 - 1/0 Cu	50
12 - 1/0 Al	50
14 - 4 Cu	50
# 6-2/0 Cu / Al	50
# 3-2/0 Cu / Al	50

BRANCH NEUTRAL AND EQUIPMENT GROUND BAR	
WIRE RANGE (AWG)	TORQUE (LB.-IN)
6 - 4 Cu / Al	35
8 Cu / Al	25
14-10 Cu, 12-10 Al	20
EQUIPMENT GROUND COMBINATIONS	
WIRE RANGE (AWG)	TORQUE (LB.-IN)
THREE 14 OR 12 Cu THREE 12 OR 10 Al	25

SQUARE D

MADE IN MEXICO **67** MTR13099

- Number of circuits maximum
- Enclosure catalog number
- Service equipment marking
- Voltage ratings
- Amperage rating

- Alternate wiring diagram for All-In-One

- All-In-One accessories

- Square D circuit breakers that may be used in this meter main

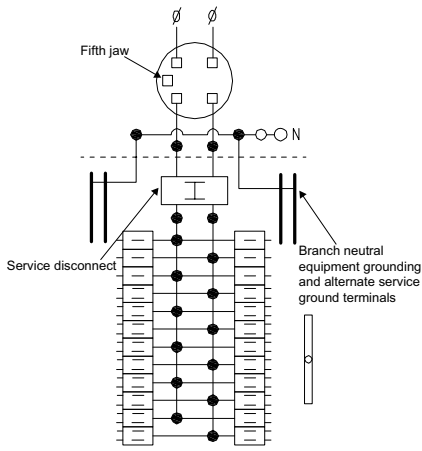
- Short circuit ratings

- Wire range for lug torque data table

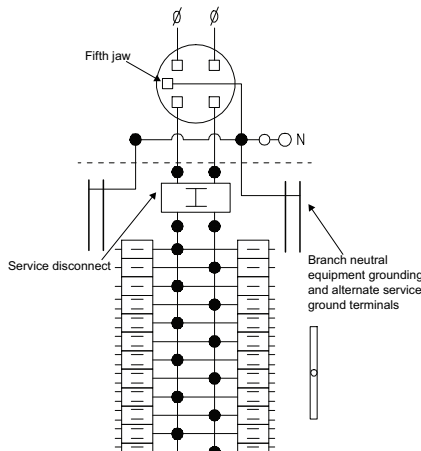
- Plant code
- Label part number

All-in-One Wiring Diagrams

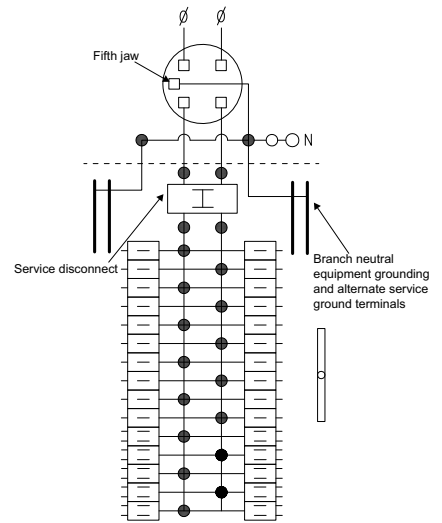
NOTE: See each catalog number's associated technical drawing online for additional wiring diagram details.



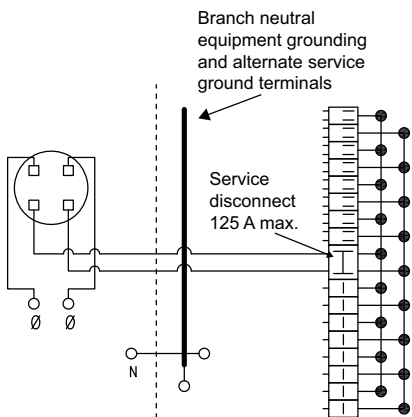
Cat. No.
QC2442M200C
QC2442M200CH



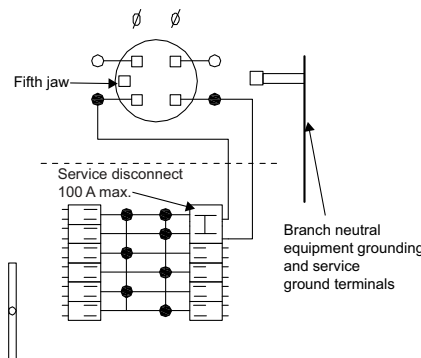
Cat. No.
QC2442M200SH



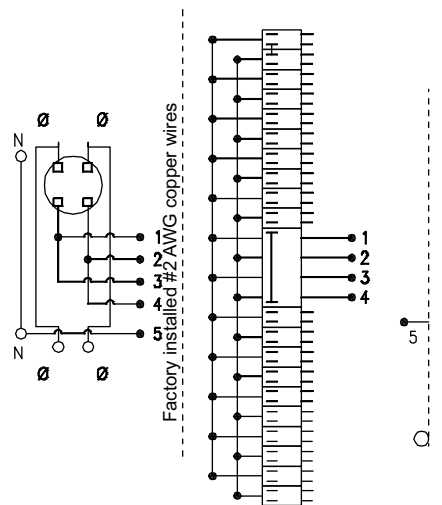
Cat. No.
QC3040M200S
QC3040M200SH



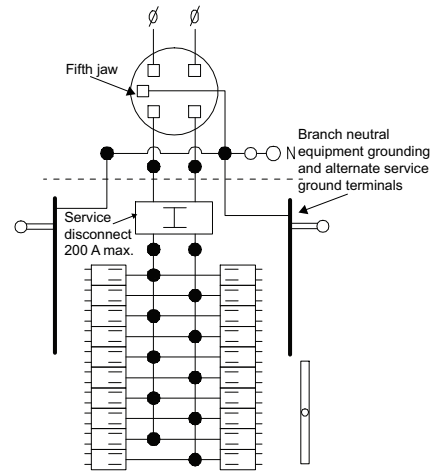
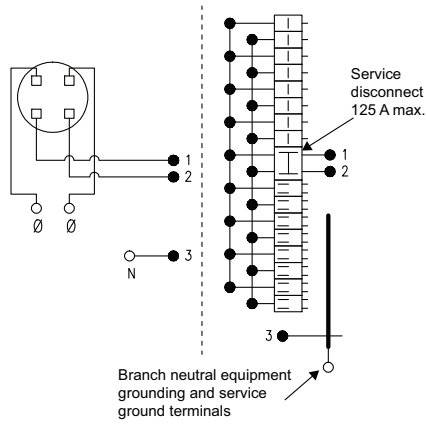
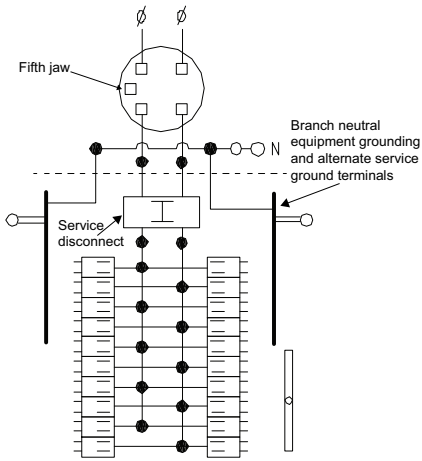
Cat. No.
RC1624M100S
SC1624M100S
SC1624M125S



Cat. No.
SO1020M100S



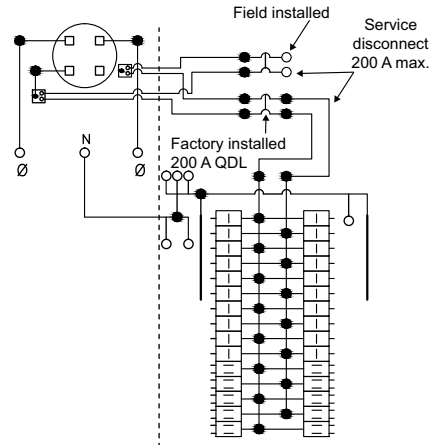
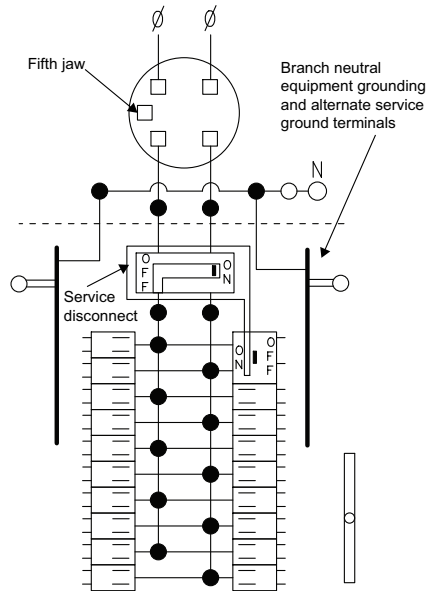
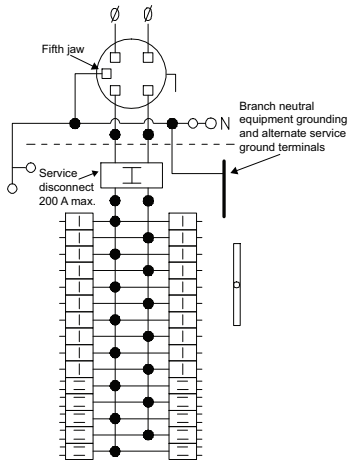
Cat. No.
SC2040M200C



Cat. No.	
RC2040M125CH	RC2040M200CH
RC2040M150CH	SO2040M200S
RC2040M200C	

Cat. No.
SC1624M100F
SC1624M125F

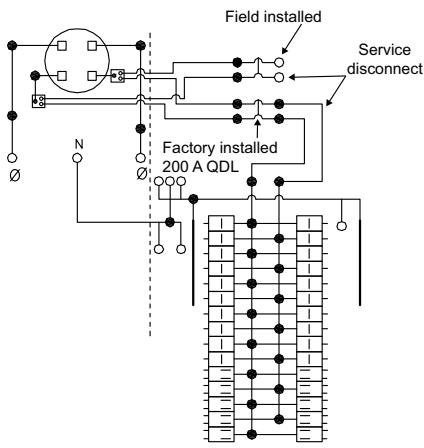
Cat. No.
RC2040M200S



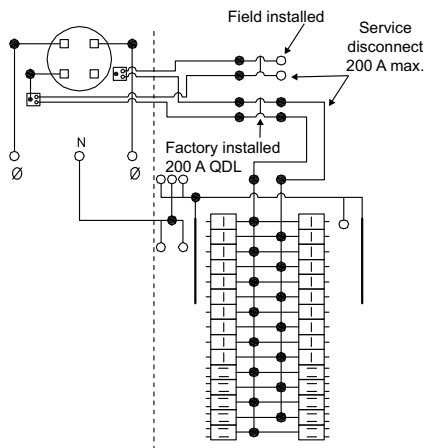
Cat. No.
RC3040M150SL
RC3040M200SL

Cat. No.
RC2040M200CGP

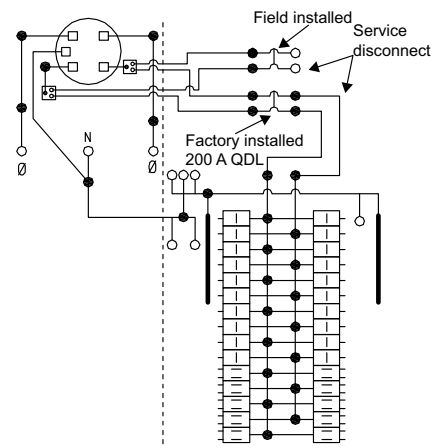
Cat. No.
SU3040D300FB
SU3040D400FB



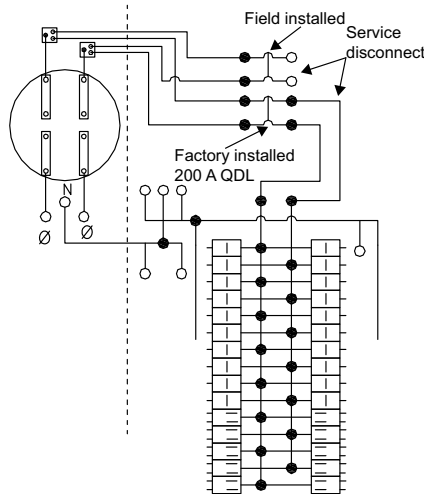
Cat. No.
SU3040D400CN
SU3040D400FN



Cat. No.
SU3040D300CB
SU3040D400CB



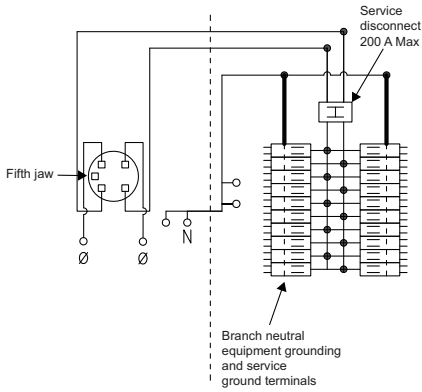
Cat. No.
RU3040D400CL



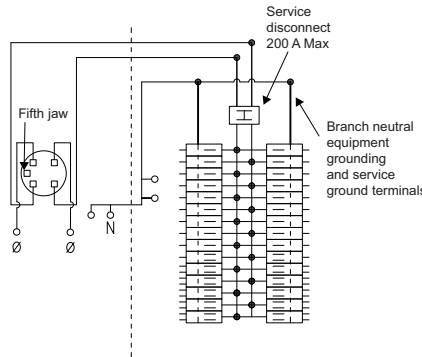
Cat. No.
RU3040D400CK

Solar Ready Plug-on Neutral (PoN) All-in-One Wiring Diagrams

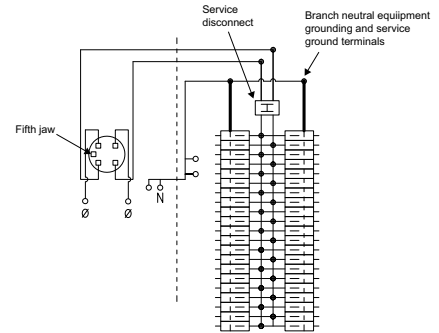
NOTE: See each catalog number's associated technical drawing online for additional wiring diagram details.



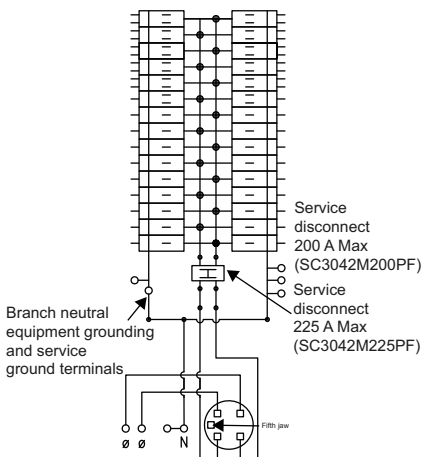
Cat. No.
SC2040M200PS



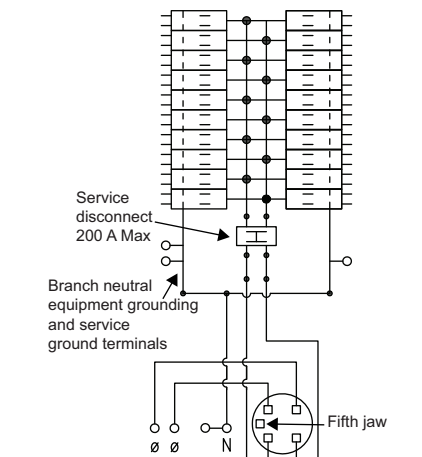
Cat. No.
SC3042M200PS



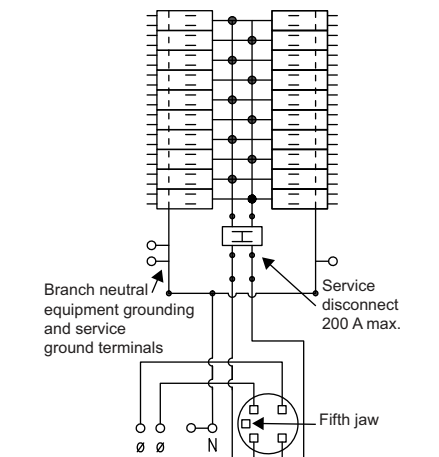
Cat. No.
SC42M200PS



Cat. No.
SC3042M200PF
SC3042M225PF



Cat. No.
SC2040M125PF



Cat. No.
SC2040M200PF

CSED General Information

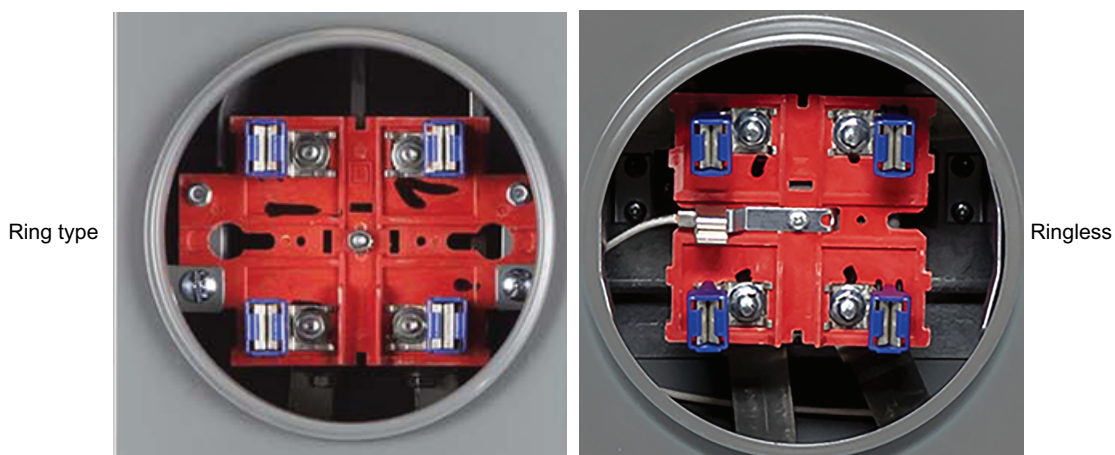
Ring vs. Ringless Type

There are two types of electrical meter socket enclosures: ring enclosures and ringless enclosures. Although the ring and ringless types serve the same purpose, there are some physical variances between the two. These distinctions are based on the utility requirements of the installation's geographic location.

The following are factors to consider:

Way to secure the meter to the socket

The ring style employs a specially shaped ring that connects the enclosure's meter curl and the meter. These rings are offered in two styles: snap and screw. The retainer for ringless style metering is the cover, which has an embossment for the meter. After all work has been done and the meter has been fastened, a sealing or locking mechanism is placed in either form.



Region

The type of meter enclosure to be used for a certain application is decided by the electrical utility company operating in that location. Ring style metering is prevalent in the western region, but ringless metering is prevalent in the eastern region.

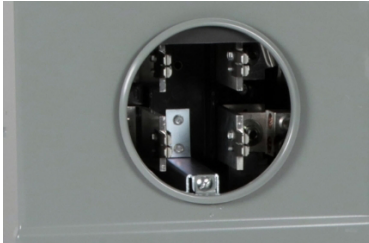
Bypass type

A bypass is a mechanism that only the utility can install to ensure that the flow of power is not disrupted when the meter is removed for maintenance. In most cases, a bypass is not available in residential applications. A bypass, on the other hand, may be employed if the regulating utility approves it for a unique use that does not require the electrical current to the residence to be interrupted.

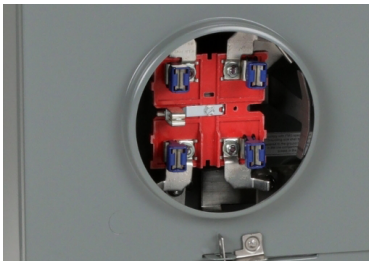
A bypass is required in commercial applications because a power outage would cause problems for the business. Depending on whether the meter is ring or ringless, different bypasses are available.

Ring type bypass type**Test block bypass (Available only for EZM)**

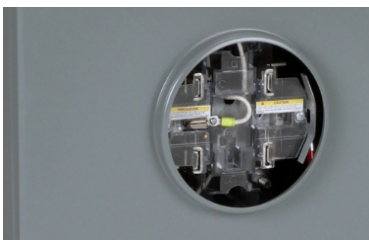
The technician manually installs a set of bypass connectors extending from the line to load side connectors feeding to and from the meter being tested. Once the jumpers are in place, current carrying flat washers are removed from each phase and at this point the meter is bypassed, or isolated from the circuit.

**Manual bypass**

Consists of a threaded stud and keps nut on the line side bussing and the load side bussing, on each phase that will accept a utility company supplied jumper.

Ringless Bypass type**Horn bypass**

Short bus connectors extend upward from the line side and downward from the load side meter socket jaws. The ends of these bus connectors give the appearance of horns. One jumper cable per phase is manually installed by a qualified service technician creating a path for current to flow once the meter is removed from the socket.

**Lever bypass**

It is supplied with a swing arm or lever extending from the right side of the meter socket. Once the ringless meter socket cover is removed, this dual function lever may be manually rotated upward to engage bypass rotor blades into line and load bypass jaws allowing current to flow through the meter socket with the meter in or out of the meter socket.

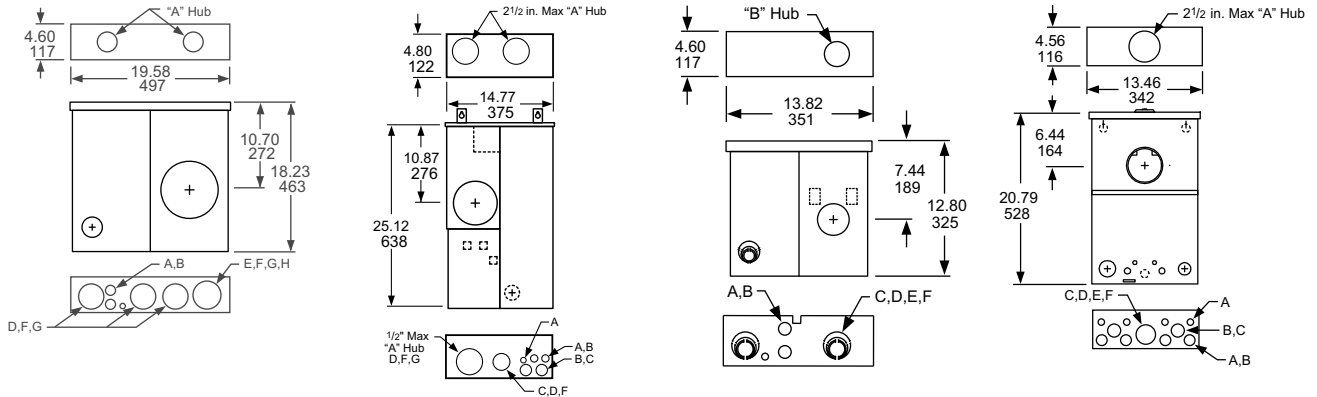
The second feature this lever provides is a jaw release function. By rotating the lever up as far as possible the spring-loaded meter socket jaws are spread open for ease of meter installation or removal.

The third aspect of this lever is that it prevents the cover from being installed when the bypass is operational, stopping current flow while no meter is present.

Enclosure and Knockout Information

Knockouts										
Symbol	A	B	C	D	E	F	G	H	I	J
Conduit size (in.)	1/2	3/4	1	1-1/4	1-1/2	2	2-1/2	3	3-1/2	4

NOTE: See each catalog number's associated technical drawing online for additional dimensions and enclosure details.

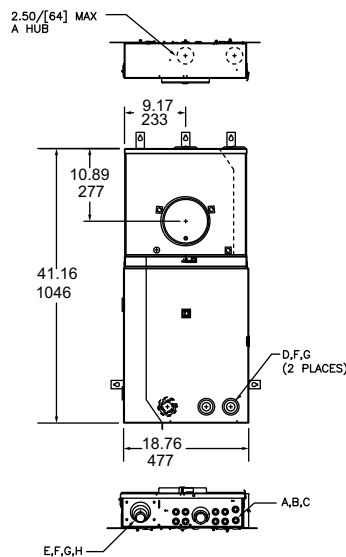


Cat. No.	
C2M200S (Shown)	RC200S
CM200S	RC2M200S
C4L200S	

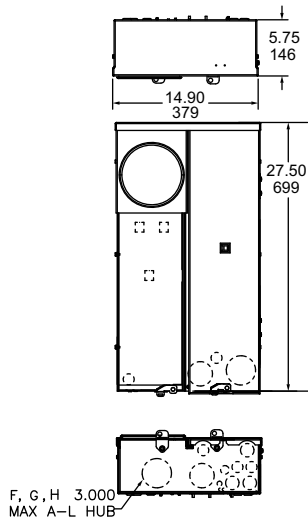
Cat. No.
SC8L125S (Shown)
RC8L125S
SC1624M100S
SC1624M125S
RC1624M100S

Cat. No.
C125RB (shown)
CQRB100CP

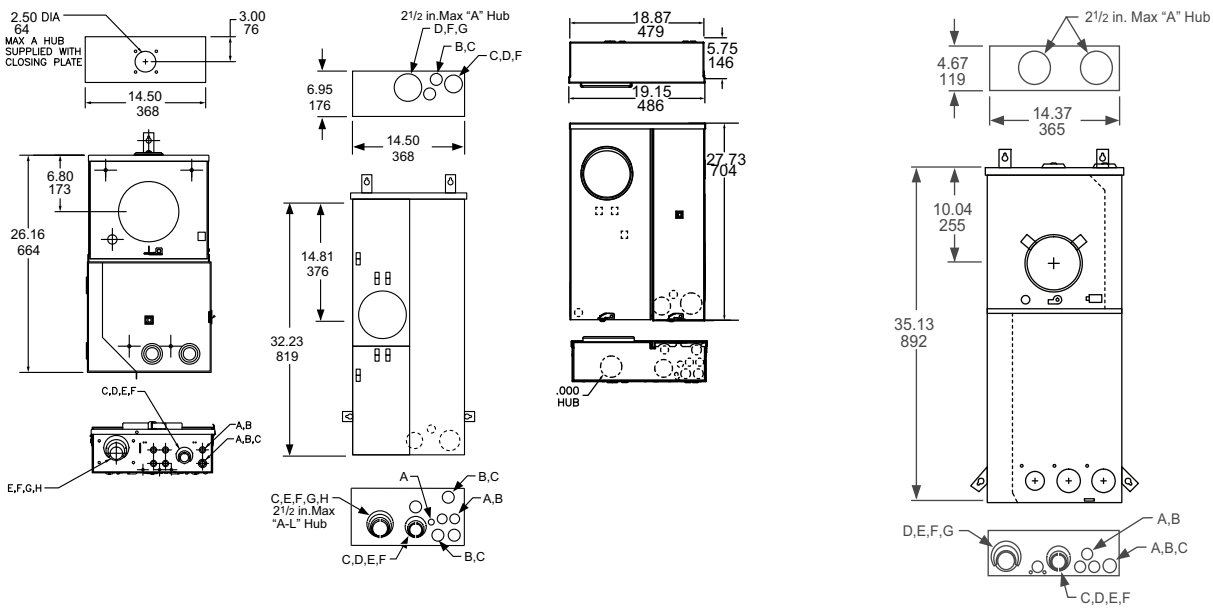
Cat. No.
SO1020M100S



Cat. No.			
QC816F150S (Shown)	RC3040M200SL (48.62)	RC816F100SH	RC2040M150SH
RC816F150SL (48.62)	QC816F200SL (48.62)	RC816F150SH	RC2040M200S
RC816F200SL (48.62)	QC2442M200SH	RC816F200S	QC816F200S
RC3040M150SL (48.62)		QC3040M200SH	

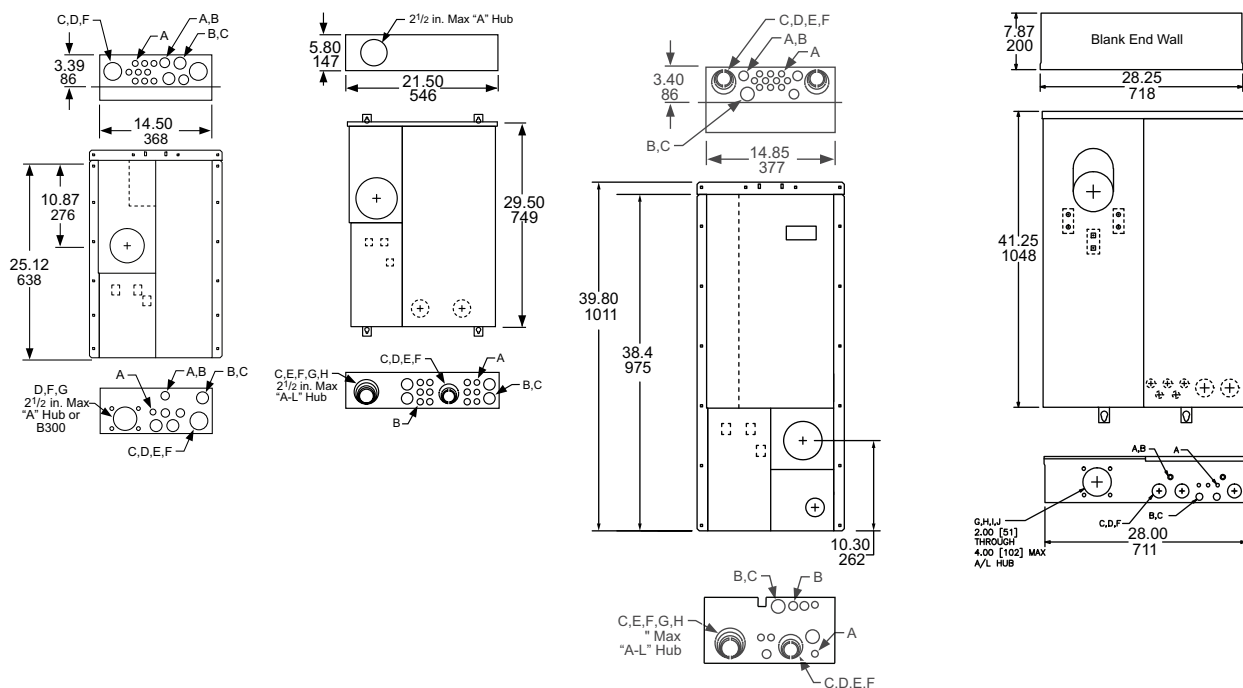


Cat. No.			
CU48F200PS (Shown)	QU48F100PS	QU816F150PS	RU48F125PS
CU816F100PS	QU48F125PS	QU816F200PS	RU48F150PS
CU816F200PS	QU48F150PS	QU816M200PS	RU48F200PS
SU48F100PS	QU48F200PS	RU48F100PS	RU816F150PS
SU48F200PS	RU816M200PS	RU816F200PSH	RU816F200PS



Cat. No.	Cat. No.	Cat. No.	Cat. No.		
QC12L200C (Shown)	SC816D200C ⁹¹ (Shown)	QU48F100PSL (Shown)	QC816F125C (Shown)	QC816F200CH	RC2040M125CH
RC12L200C	RC816D200CH ⁹¹	QU816F200PSL	QC816F100CH	RC816F100CH	RC2040M150CH
	SC816D150C ⁹¹	RU48F100PSL	QC816F150C	RC816F125CH	RC2040M200C
		RU816F200PSL	QC816F200C	RC816F150C	RC2040M200CH
			RC816F200CH	RC816F150CH	QC2442M200C
			SO2040M200S	RC816F200C	QC2442M200CH

91. Driphood supplied factory-installed and is required for surface mount installation. For semi-flush installation, remove driphood and install flange kit SC200F (order separately).

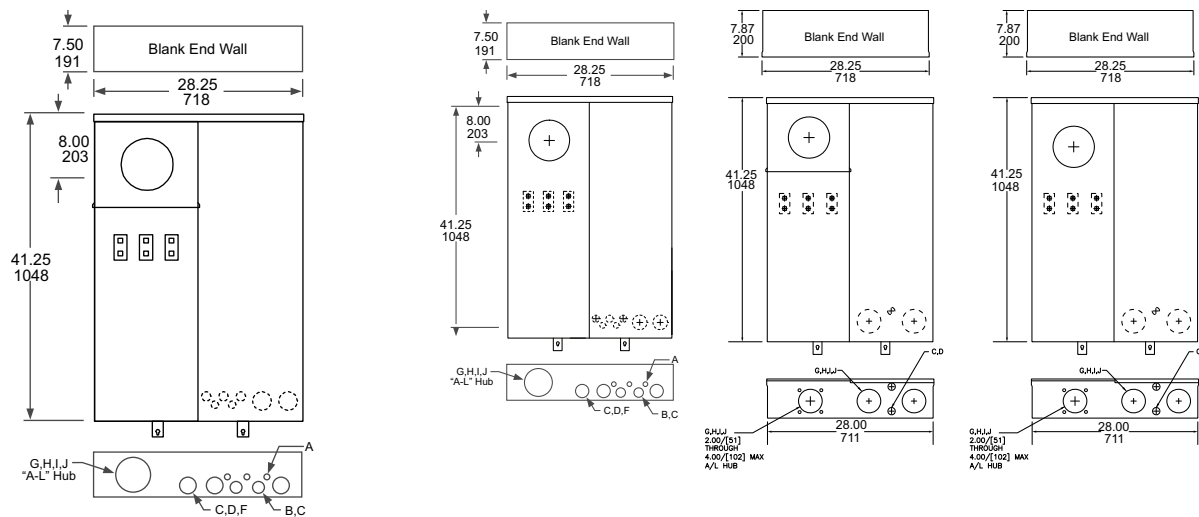


Cat. No.
SC8L125F (Shown)
SC1624M100F
SC1624M125F

Cat. No.
SC2040M200PS (Shown)
SC12L200S
SC816F200PS
SC42M200PS (37.30)
SC3042M200PS (32.12)

Cat. No.
SC2040M200PF (Shown) (38.40)
SC816F200PF (38.40)
SC2040M125PF (38.40)
SC3042M200PF (42.60)
SC3042M225PF (42.60)

Cat. No.
QU816D400CK (Shown) ⁹²
RU3040D400CK ⁹²



Cat. No.	Cat. No.
SU3040D400CB (Shown) ⁹²	SU3040D400CN ⁹²
SU3040D300FB ⁹³	CU12L400CN ⁹²
SU3040D400FB ⁹³	CU12L400CB ⁹²
SU3040D400FN ⁹³	CU816D400CB ⁹²
SU3040D300CB ⁹²	CU816D400CN ⁹²

Cat. No.
QU816D400SL (Shown)
QU12L400CL ⁹²
QU12L400SL
QU816D400CL ⁹²
RU3040D400CL ⁹²

Cat. No.
CUM400CB ⁹²

Cat. No.
QUM400CL ⁹²

92. Unit supplied with blank top endwall (factory-installed) for surface mount installation. For semi-flush installation, install flange kit FK400 (order separately). Kit includes replacement top endwall (with knockouts) and flanges.
 93. Unit supplied with semi-flush top endwall factory installed and semi-flush flanges factory included.

General Information and Application Data

Table 13 - Circuit Breakers for use with Meter Mains and All-in-One Devices

Rating (A)	HOM, 1P	HOM, 2P	QO 1P	QO 2P	QO -VH 1P	QO -VH 2P	QOM1 -VH 2P	QOM2 -VH 2P	QDL 2P ⁹⁴
⁹⁵	Cat. No. (DE2A)	Cat. No. (DE2A)	Cat. No. (DE2A)	Cat. No. (DE2A)	Cat. No. (DE2A)	Cat. No. (DE2A)	Cat. No. (DE3D)	Cat. No. (DE3D)	Cat. No. (DE2A)
10	—	—	QO110	—	—	—	—	—	—
15	HOM115	—	QO115	—	QO115VH	—	—	—	—
20	HOM120	—	QO120	—	QO120VH	—	—	—	—
25	HOM125	—	QO125	—	QO125VH	—	—	—	—
30	HOM130	HOM230	QO130	QO230	QO130VH	QO230VH	—	—	—
35	—	HOM235	QO135	QO235	—	—	—	—	—
40	HOM140	HOM240	QO140	QO240	—	QO240VH	—	—	—
45	—	HOM245	QO145	QO245	—	—	—	—	—
50	HOM150	HOM250	QO150	QO250	—	QO250VH	QOM50VH ⁹⁶	—	—
60	—	HOM260	QO160	QO260	—	QO260VH	QOM60VH	—	—
70	—	HOM270	QO170	QO270	—	QO270VH	QOM70VH	—	QDL22070
80	—	HOM280	—	QO280	—	QO280VH	QOM80VH	—	QDL22080
90	—	HOM290	—	QO290	—	QO290VH	QOM90VH	—	QDL22090
100	—	HOM2100	—	QO2100	—	QO2100VH	QOM100VH	QOM2100VH	QDL22100
110	—	HOM2110	—	QO2110	—	QO2110VH	QOM110VH	—	QDL22110
125	—	HOM2125	—	QO2125	—	QO2125VH	QOM125VH	QOM2125VH	QDL22125
150	—	HOM2150BB	—	QO2150	—	QO2150VH	—	QOM2150VH	QDL22150
175	—	HOM2175BB	—	QO2175	—	QO2175VH	—	QOM2175VH	QDL22175
200	—	HOM2200BB	—	QO2200	—	QO2200VH	—	QOM2200VH	QDL22200
225	—	—	—	—	—	—	—	QOM2225VH	—

NOTE:

The VH stands for "very high". It refers to the interrupt rating (AIC), which is 22 kAIC, as opposed to the standard 10 kAIC.



HOM115



HOM2125



QO120



QO245



QO115VH



QO260VH



QOM125VH



QOM2200VH



QDL22200

94. For additional interrupting rating circuit breakers, order circuit breaker prefix QBL at 10 kA, QGL at 65 kA or QJL at 100 kA.

95. Do not exceed mains rating of device.

96. Reference National Electrical Code Article 230-79.

Accessories and Hubs

Hubs

Square D equipment with NEMA 3R rainproof construction, utilizes hubs listed below. Hubs are suitable for use with conduit having ANSI standard taper pipe thread.

A: type hubs are supplied with four 12–24 x 3/4 in. slotted hex-washer head screws.

A–L: type hubs are supplied with four 1/4– 20 x1/2 in. slotted screws. An adapter plate is required to allow use of A hubs on A-L size hub openings: catalog number AAP.

B: type hubs will accept 3/4 through 2 1/2 in. conduit sizes without the use of reducers. Off-center conduit thread openings and elongated mounting holes provide quick and easy adjustment to eliminate costly conduit offsets and bends. B300 and B400 are designed for mounting in field cut opening. Includes gasket and four mounting bolts and nuts.



A125



A200L



AAP



ACP

Table 14 - Hubs

Hub Series	Conduit Size (inches)	Cat. No.
Closing Plate for A Hub opening		ACP
A	1	A100
	1.25	A125
	1.5	A150
	2	A200
	2.5	A250
Adapter plate to allow use of A Hubs on A–L size hub openings		AAP
Closing Plate for A–L Hub opening		ACPL
A-L	2	A200L ⁹⁷
	2.5	A250L
	3	A300L
	3.5	A350L
	4	A400L
Closing Plate for B Hub opening		BCAP
B	0.75	B075
	1	B100
	1.25	B125
	1.5	B150
	2	B200
	2.5	B250
B300	3	B300

97. Supplied with AAP adapter plate and “A” hub.

Series A Hubs

Equipment with provisions for A Hubs:

- Individual Meter Sockets, Class 4131
- Horizontal Ganged Meter Sockets, Class 4121
- Combination Service Entrance Devices, Class 4119/4120

Bolt-on hub supplied with four 12–24 x 3/4 inch slotted hex-washer head screws.

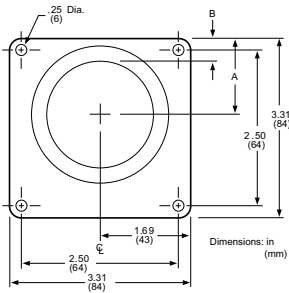


Table 15 - Series A Hubs

Hub Catalog Number	Conduit size (in.)	A		B	
		in.	mm	in.	mm
A100	1	0.94	24	0.44	11
A125	1.25	1	25	0.44	11
A150	1.5	1.25	32	0.5	13
A200	2	1.5	38	0.5	13
A250	2.5	1.69	43	0.44	11

Series A – L Hubs

Equipment with provisions for A-L Hubs:

- Individual Meter Sockets, Class 4131
- Horizontal Ganged Meter Sockets, Class 4121
- Combination Service Entrance Devices, Class 4119/4120

Bolt-on hub supplied with four 1/4-20 x 1/2 inch slotted screws.

Adapter plate required to allow use of A hubs on A-L size hub openings: catalog number AAP.

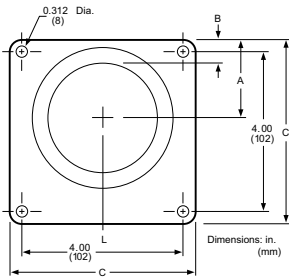


Table 16 - Series A – L Hubs

Hub Catalog Number	Conduit size (in.)	A		B		C	
		in.	mm	in.	mm	in.	mm
A200L	2	1.94	49	0.94	24	4.63	118
A250L	2.50	2	51	0.88	22	4.63	118
A300L	3	2.13	54	0.63	16	5.00	127
A400L	4	2.5	64	0.5	13	5.00	127

QO/Homeline CSED Accessories

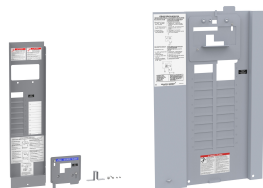


SRKUGMM

Table 17 - Solar Ready Kits Field-installable lug kit enabling a supply-side source connection in accordance with NEC 705.11

Catalog Number	Description
SR69064AF ^{98 99}	Solar Ready Kit for Type SC semiflush mounted Solar ready devices (includes lugs and replacement UL67 barrier)
SR69064AS ^{98 99}	Solar Ready Kit for Type SC surface mounted solar ready devices (includes lugs and replacement UL67 barrier)
SRKUGMM ^{98 99}	Solar Ready Kit for UG 200 A max. meter mains CU/QU48, CU/QU816, SU/RU48, and SU/RU816

Table 18 - Generator Circuit Breaker Interlock kit Interlocks main service disconnect and generator circuit breaker (order separately)



RUSUGK QCGK3

Catalog Number	Description
RCGK2 ⁹⁹	Homeline CSED devices RC816F, RC2040M, SO2040M containing suffix C or CH
QCGK3 ⁹⁸	QO CSED Devices QC816F, QC2442M containing suffix C or CH
RUSUGK ⁹⁹	Homeline SU/RU48 and SU/RU816 - 200 A max. meter mains
QUCUGK ⁹⁸	QO CU/QU48 and CU/QU816 - 200 A max. meter mains

Table 19 - Meter Socket Cover Plate Used to help inside of meter socket enclosures



29007

Catalog Number	Description
29007 ^{99 98}	Lexan meter socket cover plate for ring and ringless type Meter Mains and All -In-Ones
RSG4 ^{99 98}	Metallic meter socket closing plate for ringless sockets

Table 20 - Sealing Rings Used in ring type meter mains and All-in-Ones



29008W AR-P00026

Catalog Number	Description
2920910001 ^{99 98}	Snap type aluminum (std.)
29008W ^{99 98}	Screw type aluminum
ARP00026 ^{99 98}	Snap type stainless steel

Table 21 - Semiflush Flange Kits Convert surface mount to semi-flush mount



SC200F FK400

Catalog Number	Description
SC200F ⁹⁹	Meter Mains: SC816D150/200C and RC816D200CH All-in-Ones: SC2040M200C
FK400 ^{99 98}	For ring and ringless-type Meter Mains and All-in-Ones (400 A Only)

98. QO
99. HOM



Table 22 - Lug Kits

Catalog Number	Description
CMEK4 100 101	Lug Kit includes four lugs, for use with 2 AWG 600 kcmil Ai/Cu conductors. Lugs are for standard two-hole mounting. Meter main and all-in-one units supplied with two studs per phase and neutral will accept one lug per phase and neutral. Not for use on 400 A devices with "K" suffix.
LK100AN 101	Field -installed for 6–2/0 Ai/Cu AWG wire. For meter main types: RC, SC, QC and all -in-one types: SC, SU, QC, RC



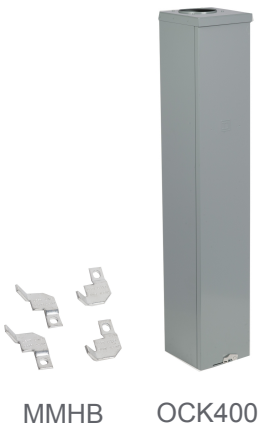
Table 23 - Filler PlatesFast to install, snap -in type

Catalog Number	Description
QOFP 101	Use on meter main types: QC, CU and all-in-one types: QC to fill unused branch circuit breaker opening
HOMFP 100	Use on meter main types: RC, SC and all-in-one types: SC, RC, SU to fill unused branch circuit breaker opening



Table 24 - Other Accessories

Catalog Number	Description
5J 101 100	Fifth Jaw Kit for meter main types: C, RC, SC, QC and all-in-one types: SC, SU (100–225 A), QC, RC, SO
BMK2Q400 101 100	Branch Circuit Breaker Field Installation Kit for two Q -Frame circuit breakers (QBL, QDL, or QGL, order separately). For CUM400CB, QUM400CL or QUM400CK - includes two mounting pans, four wires.
MMHB 101 100	Bypass (Horn Type) for ringless type meter mains and all-in-ones (100 – 200 A) (except for RC8L125S, RC1624M100S and RC1624M125S –use RCHB).
MMLRK 101 100	Anti-Inversion Kit . For use ONLY on 400 A meter mains and all-in-ones with lever bypass.
OCK400 101 100	Overhead feed through for 400 A ring - and ringless-type meter mains and all-in-ones.
OHBL 101 100	Overhead Barrier Tunnel Kit for lever bypass RC/QC devices
SCBRLLOCK 101 100	Barrel Lock Kit (Barrel Lock not included), supplied with bracket and mounting screw, refer to listings for where used.
PK49SP 101 100	Touch -up paint (ASA49 Gray)



100. HOM
101. QO

Surge Protective Devices (SPD)

Square D Whole Home Surge Protection blocks the voltage spikes at the load center, providing downstream protection for all your connected devices. Square D Surge Protective Devices have been developed based on decades of expertise and industry-leading technology, making it a trusted brand among homeowners and electrical contractors alike.

How do you decide which device is best for your home? Consider the following when working with your electrical contractor.

Table 25 - Load Center and CSED Surge Protective Devices



Cat. No.	Description	Surge Current per Phase (kA)
1 phase - 3 wire		
QO2175SB	QO Surgebreaker	22.5
HOM2175SB	HOM Surgebreaker	22.5
SDSA1175	1Ø3W —120/240 V Compact SPD	36
QO250PSPD	QO Plug -on Neutral SPD	50
HOM250PSPD	HOM Plug -on Neutral SPD	50
HEPD25	Surge Arrest Whole Home Electronic Protection	25
HEPD50	Surge Arrest Whole Home Electronic Protection	50
HEPD80	Surge Arrest Whole Home Electronic Protection	80
SDSB80111	Surgebreaker Plus (all -in-one protection for appliances, Ethernet, and telephone)	80

Table 26 - Load Center and CSED Surge Protective Devices (Mounting Kits)



Cat. No.	Description	Surge Current per Phase
QOSAMK	SDSA1175 Mount Kit	—
HEPD25MKF	HEPD25 Flush Mount Kit	—
HEPD58MKF	HEPD50 and HEPD80 Flush Mount Kit	—



QO250P-SPD

HOM250-PSPD

Whole Home Surge Protection

Plug-on Neutral SPD for QO (QO250PSPD) and Homeline (HOM250PSPD)

Use – QO250PSPD for QO load centers, combination devices (CSEDs) and NQ panelboards. HOM250PSPD for Homeline load centers and combination devices (CSEDs)

Feature – Plug-on Neutral connectivity, no wiring needed

Installation Flexibility – NEMA 1 (Indoor)

Surge Current Capacity – 50 kA

Standards – UL Listed 1449, 4th Edition and CSA Certified

Warranty – 5 Year / \$50,000 connected equipment limited warranty



SDSA1175

Hard-Wire Whole House Surge Protective Device (SDSA1175)

Use – Suitable for Use in Service Entrance locations: Meets Requirements of NEC Article 280

Feature – Coordinated Fuse Technology

Installation Flexibility – NEMA 4X (Indoor & Outdoor)

Surge Current Capacity – 36 kA

Standards – UL Listed 1449, 4th Edition and CSA Certified

Warranty – 2 Years



QO2175-SB

HO-M2175SB

Surgebreaker for QO (QO2175SB) and Homeline (HOM2175SB)

Use – QO2175SB for QO load centers, combination devices and NQ panelboards. HOM2175SB for Homeline load centers and combination devices

Installation Flexibility – NEMA 1 (Indoor)

Surge Current Capacity – 22.5 kA per phase

Standards – UL Listed 1449, 4th Edition and CSA Certified

Warranty – 3 year / \$10,000 connected equipment limited warranty



HEPD25

Home Electronics Protective Device (HEPD25, HEPD50, HEPD80)

Use – Small, affordable whole house surge suppression that can easily be mounted to Square D and competitors load centers

Installation Flexibility – NEMA 4X (Indoor & Outdoor). Easy-to-install, optional flush mount kit for a professional look when installed in a finished wall (HEPD25MKF, HEPD58MKF)

Surge Current Capacity – 25 kA (HEPD25), 50 kA (HEPD50) and 80 kA (HEPD80)

Standards – UL Listed 1449, 4th Edition and CSA Certified

Warranty – 3 Year/\$30,000 (HEPD25) or 3 Year/\$50,000 (HEPD50) or 5 Year/\$75,000 (HEPD80) connected equipment limited warranty



SDSB80111

Surgebreaker Plus Whole House Surge Protector (SDSB80111)

Use – Mounts directly to any load center from any manufacturer

Feature – Removable modules (cable, Ethernet, and telephone) allow quick and easy installation customizing

Installation Flexibility – NEMA 1 (Indoor)

Surge Current Capacity – 80 kA

Standards – UL Listed 1449, 4th edition

Warranty – 5 Year/\$100,000 connected equipment limited warranty

Printed in:
Schneider Electric
800 Federal Street
Andover, MD 01810
888 -778-2733

Schneider Electric
800 Federal Street
01810 Andover, MD
United States

888 -778-2733

www.se.com

As standards, specifications, and design change from time to time,
please ask for confirmation of the information given in this publication.

© 2022 – 2023 Schneider Electric. All rights reserved.

4120CT2201