

Safety solutions using Preventa

Obligations of the machine manufacturer: the Machinery Directive

Requirements of the Machinery Directive

Machinery Directive: 98/37/CE

The machine manufacturer is obliged to conform to the Machinery Directive

The main purpose of Machinery Directive 98/37/CE is to guarantee a minimum safety level for machinery and equipment sold on the European Community market.

The harmonised European safety standards (see page 38109/2) establish technical specifications which comply with the minimum safety requirements defined in the corresponding directive.

Requirements of the Machinery Directive

All manufacturers must produce safe machines, complying with safety requirements

- General machines

The manufacturer affixes the CE mark and prepares a self-certification dossier for his machine.

Compliance with European standards harmonised with the Machinery Directive is a method for establishing conformity with the directive.
Example : harmonised standard EN 418/ISO 13850 for Emergency stop functions.

- Dangerous machines and safety components (appendix IV of the Machinery Directive)

The manufacturer must have his machine and/or the safety components listed in appendix IV of the Machinery Directive certified by a third party before he can affix the CE mark.

The authorised body (see page 38109/2) will refer to the harmonised standards when issuing its type approval certificate.

The Machinery Directive as applicable to manufacturers

The law

As from January 1995, anyone marketing machinery or equipment on the European Community market must guarantee conformity with the directives. Since January 1997, this requirement has applied to the safety components defined in Appendix IV.

Countries

The Machinery Directive applies in all European Community countries.

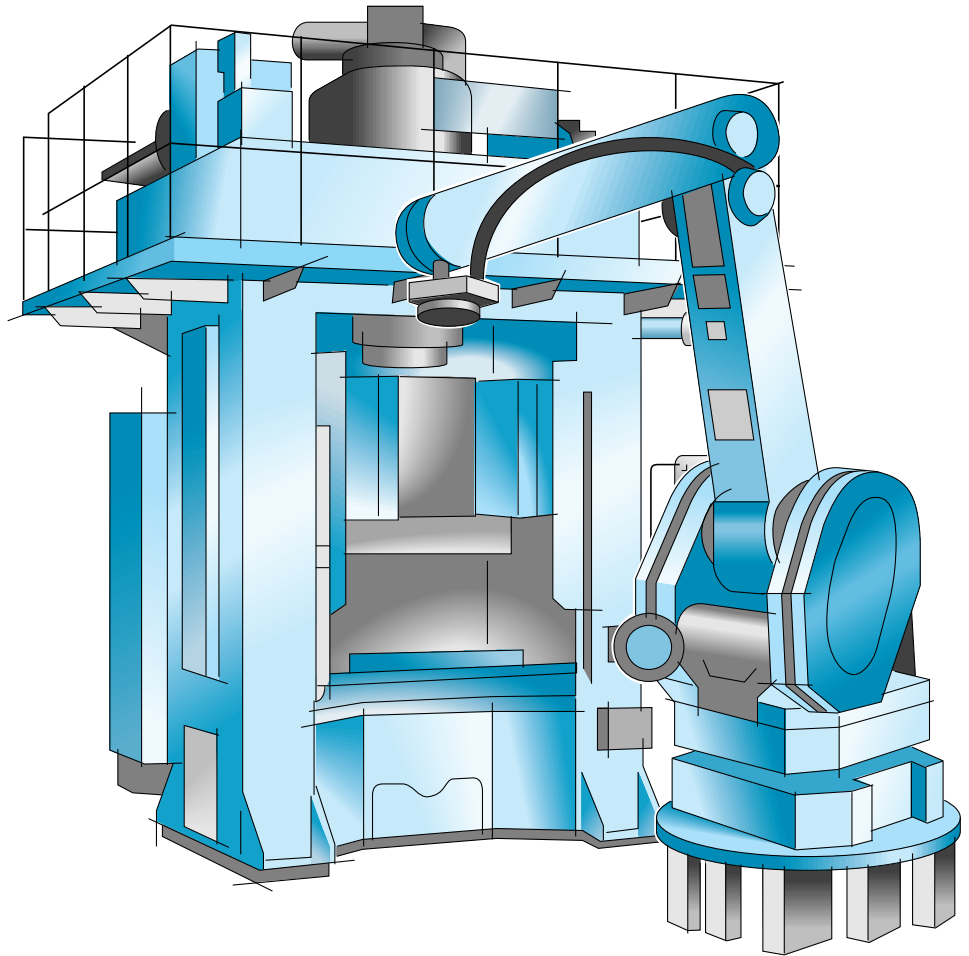
Machinery and safety components

New machines: sale, hire, loan, transfer.
Used machines: sale, hire, loan, transfer.

Safety solutions using Preventa

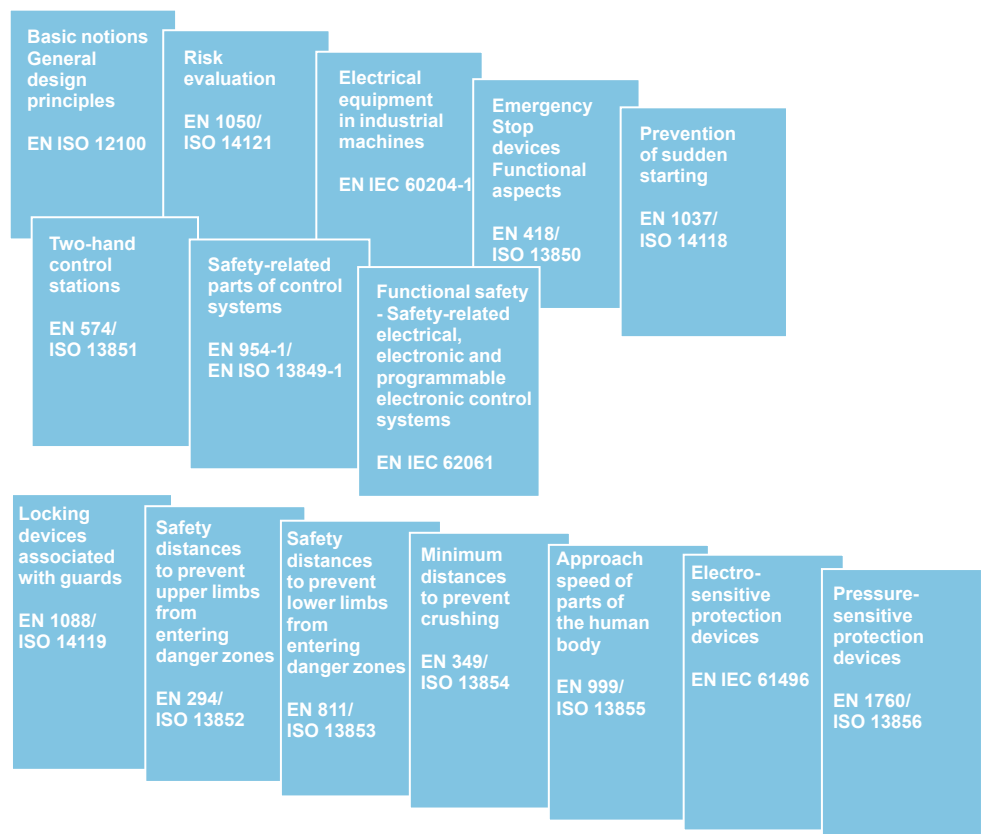
Obligations of the machine manufacturer: the Machinery Directive

Examples of reference standards



Examples of reference standards

These standards give presumed conformity with the minimum requirements of the Machinery Directive.



Safety solutions using Preventa

Obligations of the machine user:

the Health and Safety Directive

Requirements of the Health and Safety Directive

**Work equipment directive:
89/655/CEE**

The user is obliged to make his machine installation comply with the Health and Safety Directive

Work equipment directive 89/655/CEE is aimed at setting minimum standards of protection in the workplace and in particular concerns the use of products.

Requirements of the Health and Safety Directive

The directive defines the general framework of preventive measures to be taken in the workplace

- Compulsory risk analysis.
- Accident prevention programme.
- Principle of employer and worker responsibility.
- Compulsory training and information.
- Participation of worker representatives in defining safety measures.
- Principle of priority of collective protection over individual protection.

The Health and Safety Directive as applicable to workers

The law

As from January 1997, the Health and Safety Directive alone is applicable in all countries of the European Union.

Obligations

As from January 1997, machine installations must conform to the minimum requirements of the Health and Safety Directive. Each country has its own regulations which must be at least as strict as the Health and Safety Directive.

Countries

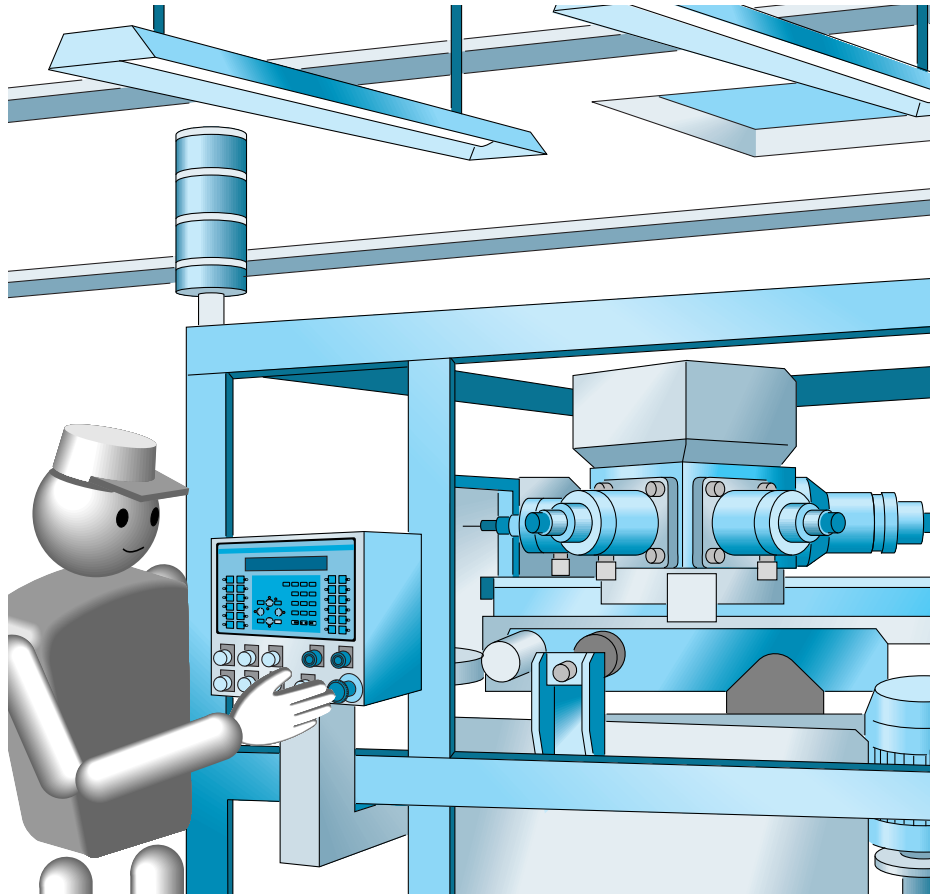
Legally, the European Union only.
Note: Norway and Switzerland are adopting equivalent regulations.

Work equipment

Machine installations.

Safety solutions using Preventa

Obligations of the machine user:
the Health and Safety Directive
Subjects dealt with



Subjects dealt with

For each of the subjects dealt with, we shall suggest a series of actions and recommendations, based on Work equipment directive 89/655/CEE, which you should implement in order to help make your machine installation conform.

