



AMP for standard feeder.



AMP for motor feeder.



VLT.

## Function

The 72 x 72 measurement devices are designed for flush-mounted installation on doors, wicket doors and front plates of enclosures and cubicles.

### AMP

The ammeters measure in amps the current flowing through an electrical circuit.

### VLT

The voltmeter measure in volts the potential difference (voltage) of an electrical circuit.

## Common technical data

- Accuracy: class 1.5.
- Compliance with standard IEC 60414.
- Ferromagnetic device.
- Scale length: 62 mm over 90°.
- Mounting in enclosure or in cubicle.
- Degree of protection: IP52.
- Maximum operating position: 30° / vertical.
- Temperature:
  - operation: -25°C to +50°C
  - reference: 23°C.
- Influence of temperature on accuracy:  $\pm 0.003\%$  / °C.
- Utilisation frequency: 50/60 Hz.

## AMP specific technical data

- Needs a In/5 CT to be ordered separately.
- Interchangeable dials to be ordered separately.
- Consumption: 1.1 VA.
- Permanent overload: 1.2 In.
- Maximum overload for 5 s: 10 In.

## VLT specific technical data

- Consumption: 3 VA.
- Permanent overload: 1.2 Un.
- Maximum overload for 5 s: 2 Un.

## Catalogue numbers

| Type                                  | Scale       | Connection on CT | Cat. no.     |
|---------------------------------------|-------------|------------------|--------------|
| <b>AMP for standard feeder</b>        |             |                  |              |
| Basic device (delivered without dial) |             | X/5              | <b>16004</b> |
| 1.3 In dial                           | 0-50 A      | 50/5             | <b>16009</b> |
|                                       | 0-100 A     | 100/5            | <b>16010</b> |
|                                       | 0-200 A     | 200/5            | <b>16011</b> |
|                                       | 0-400 A     | 400/5            | <b>16012</b> |
|                                       | 0-600 A     | 600/5            | <b>16013</b> |
|                                       | 0-1000 A    | 1000/5           | <b>16014</b> |
|                                       | 0-1250 A    | 1250/5           | <b>16015</b> |
|                                       | 0-1500 A    | 1500/5           | <b>16016</b> |
|                                       | 0-2000 A    | 2000/5           | <b>16019</b> |
| <b>AMP for motor feeder</b>           |             |                  |              |
| Basic device (delivered without dial) |             | X/5              | <b>16003</b> |
| 3 In dial                             | 0-30-90 A   | 30/5             | <b>16006</b> |
|                                       | 0-75-225 A  | 75/5             | <b>16007</b> |
|                                       | 0-200-600 A | 200/5            | <b>16008</b> |
| <b>VLT</b>                            |             |                  |              |
|                                       | 0-500 V     |                  | <b>16005</b> |



AMP for standard feeder.



AMP for motor feeder.



VLT.

## Function

The 96 x 96 measurement devices are designed for flush-mounted installation on doors, wicket doors and front plates of enclosures and cubicles.

### AMP

The ammeters measure in amps the current flowing through an electrical circuit.

### VLT

The voltmeter measure in volts the potential difference (voltage) of an electrical circuit.

## Common technical data

- Accuracy: class 1.5.
- Compliance with standard IEC 60414.
- Ferromagnetic device.
- Scale length: 80 mm over 90°.
- Mounting in enclosure or in cubicle.
- Degree of protection: IP52.
- Maximum operating position: 30° / vertical.
- Temperature:
  - operation: -25°C to +50°C
  - reference: 23°C.
- Influence of temperature on accuracy:  $\pm 0.003\%$  / °C.
- Utilisation frequency: 50/60 Hz.

## AMP specific technical data

- Needs a In/5 CT to be ordered separately.
- Interchangeable dials to be ordered separately.
- Consumption: 1.1 VA.
- Permanent overload: 1.2 In.
- Maximum overload for 5 s: 10 In.

## VLT specific technical data

- Consumption: 3 VA.
- Permanent overload: 1.2 Un.
- Maximum overload for 5 s: 2 Un.

## Catalogue numbers

| Type                                  | Scale       | Connection on CT | Cat. no.     |
|---------------------------------------|-------------|------------------|--------------|
| <b>AMP for standard feeder</b>        |             |                  |              |
| Basic device (delivered without dial) |             | X/5              | <b>16074</b> |
| 1.3 In dial                           | 0-50 A      | 50/5             | <b>16079</b> |
|                                       | 0-100 A     | 100/5            | <b>16080</b> |
|                                       | 0-200 A     | 200/5            | <b>16081</b> |
|                                       | 0-400 A     | 400/5            | <b>16082</b> |
|                                       | 0-600 A     | 600/5            | <b>16083</b> |
|                                       | 0-1000 A    | 1000/5           | <b>16084</b> |
|                                       | 0-1250 A    | 1250/5           | <b>16085</b> |
|                                       | 0-1500 A    | 1500/5           | <b>16086</b> |
|                                       | 0-2000 A    | 2000/5           | <b>16087</b> |
|                                       | 0-2500 A    | 2500/5           | <b>16088</b> |
|                                       | 0-3000 A    | 3000/5           | <b>16089</b> |
|                                       | 0-4000 A    | 4000/5           | <b>16090</b> |
|                                       | 0-5000 A    | 5000/5           | <b>16091</b> |
|                                       | 0-6000 A    | 6000/5           | <b>16092</b> |
| <b>AMP for motor feeder</b>           |             |                  |              |
| Basic device (delivered without dial) |             | X/5              | <b>16073</b> |
| 3 In dial                             | 0-30-90 A   | 30/5             | <b>16076</b> |
|                                       | 0-75-225 A  | 75/5             | <b>16077</b> |
|                                       | 0-200-600 A | 200/5            | <b>16078</b> |
| <b>VLT</b>                            |             |                  |              |
|                                       | 0-500 V     |                  | <b>16075</b> |

# 48 x 48 CMA and CMV selector switches



CMA.



CMV.

### Function

The 48 x 48 selector switches are designed for flush-mounted installation on doors, wicket doors and front plates of enclosures and cubicles.

#### CMA

The ammeter selector switch uses a single ammeter (by means of current transformers) for successive measurement of the currents of a three-phase circuit.

#### CMV

The voltmeter selector switch uses a single voltmeter for successive measurement of the voltages (phase-to-phase and phase-to-neutral) of a three-phase circuit.

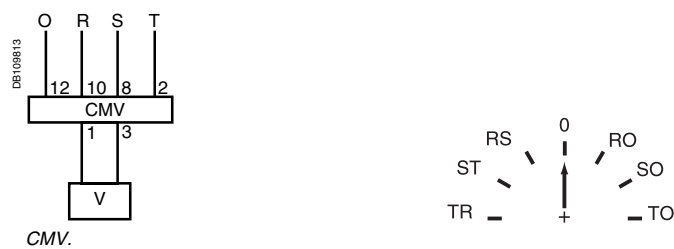
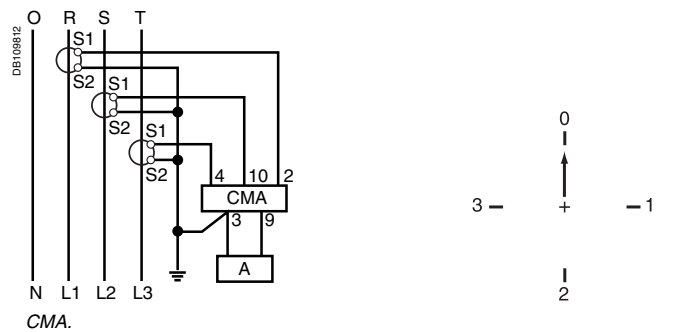
### Common technical data

- Durability:
  - electrical: 100 000 operations
  - mechanical: 2 000 000 operations.
- AgNi contact.
- Operating temperature: -25°C to +50°C.
- Compliance with standards IEC/EN 60947-3.

### Catalogue numbers

| Type | Rating (A) | Voltage (V) | Number of positions | Cat. no. |
|------|------------|-------------|---------------------|----------|
| CMA  | 20         |             | 4                   | 16017    |
| CMV  |            | 500         | 7                   | 16018    |

### Connection



Reading 3 phase-to-earth voltages + 3 phase-to-phase voltages.

**Note :** when connecting do not remove the pre-cablings.