

SERVICEpak[®] **Power Outlet Panels**

CONTENTS

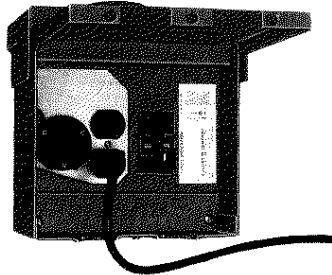
Description	Class	Pages
Application Data	1140	3-6
Dimensions	1140	7



SQUARE D

**POWER OUTLET PANELS
FOR CONSTRUCTION SITES
AND FOR RECREATIONAL VEHICLE PARKS**
APPLICATION DATA

SERVICEPAK® power outlet panels are available with a variety of receptacle configurations to meet different job requirements. All receptacles are of the grounding type. Each non-pedestal mounted device has a bolt-on closing cap factory installed on the top end-wall, and will accept bolt-on type "B" hubs. For bottom feeding from a conduit riser (except PAK11C), the bottom endwall of all non-pedestal devices with box numbers 2R and 3R (see pages 3 and 5) have provisions to install a type "B" bolt-on hub. The NEMA Type 3R rainproof enclosure is finished with gray baked enamel, electro-deposited over cleaned phosphatized galvanized steel. The door has provisions to be padlocked closed. All receptacles and circuit breakers are included.

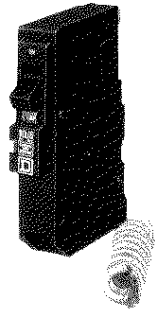


PAK41CTG

All units (except PAK11C) are provided with cutouts in the bottom endwall so cords may remain connected when the door is closed. PAK11C receptacles are located in bottom endwall.

RECEPTACLE CONFIGURATION

	20 Ampere 125 Volt 2W and Grd. Duplex NEMA 5-20R
	30 Ampere 125 Volt 2W and Grd.
	50 Ampere 125/250 Volt 3W and Grd. NEMA 14-50R
	50 Ampere 250 Volt 2W and Grd. NEMA 6-50R
	20 Ampere 250 Volt 2W and Grd. NEMA 6-20R
	30 Amp. 125/250 Volt 3W and Grd. NEMA 14-30R



All 20 ampere 125 volt receptacles are protected by QWIK-GARD® circuit breakers with ground fault circuit interrupter.

POWER OUTLET PANELS FOR CONSTRUCTION SITES
APPLICATION DATA

Type

- Provide temporary power at construction sites.
- Receptacles conform to NEMA configurations as specified by the National Electrical Code.
- Each receptacle protected by either a ground fault circuit interrupter or standard QO® circuit breaker in compliance with NEC® requirements.
- Each enclosure is rainproof.

Service

- 1Ø2W 120Vac
- 1Ø3W 120/240Vac

Mains Rating

- 40, 50, 60, 70 or 100 ampere

UL Listed

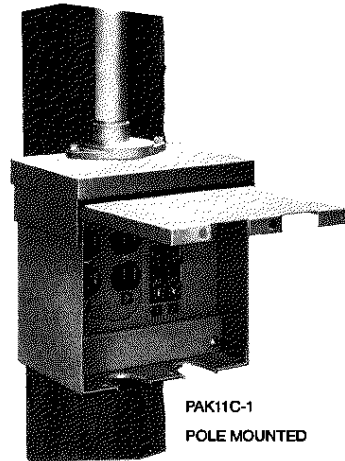
- Suitable for use as temporary site service entrance equipment under file E-53303.

Short Circuit Current Rating

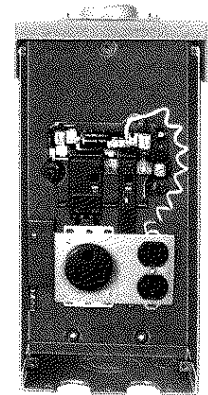
- Suitable for use on systems having up to 10,000 RMS symmetrical amperes available short circuit current at 120/240Vac.

Construction:

- 75°C wire rating (use of 90°C wire is permissible, but must be sized based on 75°C NEC® table).
- Provided with neutral bonding provisions.



PAK11C-1
POLE MOUNTED



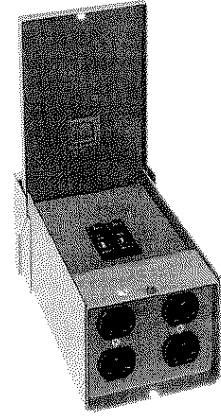
PAK51C
DOOR AND
INTERIOR TRIM REMOVED

QO, QWIK-GARD and SERVICEPAK are Registered Trademarks of Square D Company. NEC is a Registered Trademark of National Fire Protection Association.

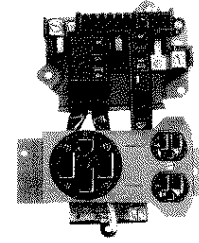


**POWER OUTLET PANELS
FOR CONSTRUCTION SITES
APPLICATION DATA**

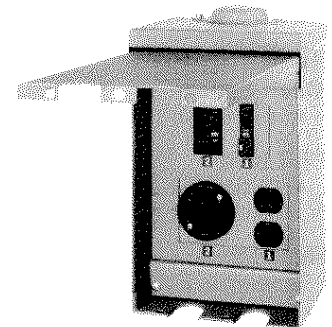
Power Outlet Configuration	Service	Mains Ampere Rating	Circuit Breaker (Included)	Receptacles (Included) *		Catalog Number	Main Wire Size AWG [▲]		Box No.
							Cu	Al	
	1Ø2W	40	(1)QO120GFI	One 20A, 125V. 2W and Grd. Duplex NEMA 5-20R		PAK10C-1	#14-6	#12-6	2R
	1Ø2W	40	(2)QO120GFI	Two 20A, 125V. 2W and Grd. Duplex NEMA 5-20R		PAK11C●	#14-6	#12-6	1R
	1Ø2W	40	(2)QO120GFI	Two 20A, 125V. 2W and Grd. Duplex NEMA 5-20R		PAK11C-1	#14-6	#12-6	2R
	1Ø3W	70	(1)QO120GFI (1)QO230	One 20 Amp. 125 Volts 2W and Grd. Duplex NEMA 5-20R	One 30 Amp. 125/250 Volts 3W and Grd. NEMA 14-30R	PAK31C	#8-1	#8-1	3R
	1Ø3W	70	(1)QO120GFI (1)QO220	One 20A, 125V. 2W and Grd. Duplex NEMA 5-20R	One 20A, 250V. 2W and Grd. NEMA 6-20R	PAK36C-1	#8-1	#8-1	3R
	1Ø3W	70	(1)QO120GFI (1)QO250	One 20A, 125V. 2W and Grd. Duplex NEMA 5-20R	One 50A, 250V. 2W and Grd. NEMA 6-50R	PAK51C	#8-1	#8-1	3R
	1Ø3W	70	(1)QO120GFI (1)QO250-5212	One 20 Amp. 125 Volts 2W and Grd. Duplex NEMA 5-20R	One 50 Amp. 125/250 Volts 3W and Grd. NEMA 14-50R	PAK55C	#8-1	#8-1	3R
	1Ø3W	70	(2)QO120GFI (1)QO250-5212	Two 20 Amp. 125 Volts 2W and Grd. Duplex NEMA 5-20R	One 50 Amp. 125/250 Volts 3W and Grd. NEMA 14-50R	PAK76C	#8-1	#8-1	3R
	1Ø3W	100	(1)QO120GFI (2)QO250-5212	One 20 Amp. 125 Volts 2W and Grd. Duplex NEMA 5-20R	Two 50 Amp. 125/250 Volts 3W and Grd. NEMA 14-50R	PAK1004C	#14-1	#12-1	3R



PAK11C



PAK55C
INTERIOR ASSEMBLY



PAK55C

● Receptacles in bottom endwall accessible with outer door padlocked. "Order only" from Lexington—minimum order quantity is 50 devices.
▲ All devices have bolt-on closing cap factory installed. Order Type "B" bolt-on hub separately.
△ Ground terminal factory installed. Wire size #14-4 AWG CU and #12-4 AWG AL.
★ 20 ampere receptacles protected by 20 ampere GFI breaker.

SERVICEPAK is a Registered Trademark of Square D Company.



**POWER OUTLET PANELS
FOR RECREATIONAL VEHICLE PARKS**
APPLICATION DATA

Type

- Provides electrical power to individual recreational vehicle park sites.
- Receptacles conform to NEMA configurations as specified by the National Electrical Code.
- Each receptacle protected by appropriate ground fault circuit interrupter or standard QO® circuit breaker in compliance with NEC® requirements.
- Each enclosure is rainproof.

Service

- 1Ø2W 120Vac
- 1Ø3W 120/240Vac

Mains Rating

- 40, 50, 75 or 100 ampere

UL Listed

- Suitable for use as recreational vehicle site service entrance equipment under File E-53303.

Short Circuit Current Rating

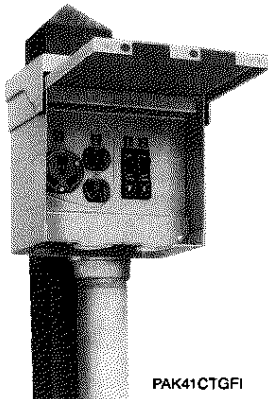
- Suitable for use on systems having up to 10,000 RMS symmetrical amperes available short circuit current at 120/240Vac.

Construction

- 75°C wire rating (use of 90°C wire is permissible, but must be sized based on 75°C NEC® table).
- No neutral bonding provisions.
- Loop-feed provisions.

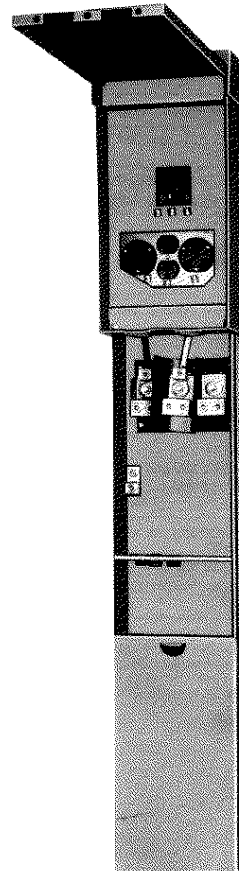
CONSTRUCTION DETAILS

Underground feed using conduit riser.



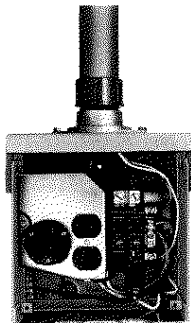
PAK41CTGFI

Pedestal cover is removable for easy accessibility to wiring compartment.



PAK61PG

Any unit can be wired for loop-feed.



PAK41CTG
WITH DOOR AND
INTERIOR TRIM REMOVED

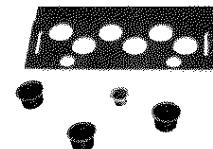
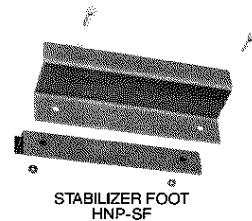
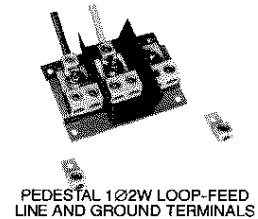
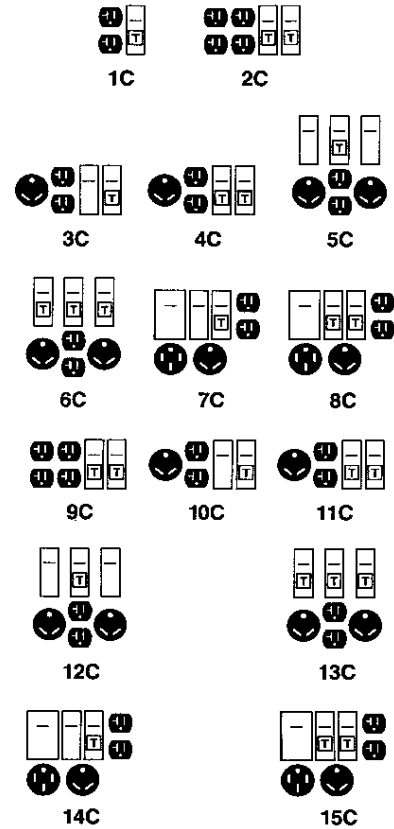
QO and SERVICEPAK are Registered Trademarks of Square D Company.
NEC is a Registered Trademark of National Fire Protection Association.

**POWER OUTLET PANELS
FOR RECREATIONAL VEHICLE PARKS
APPLICATION DATA**

Power Outlet Configuration	Service	Mains Ampere Rating	Receptacles (Included) ★	Circuit Breaker (Included)	Catalog Number	Main Wire Size AWG/kcmil Δ				Box No.
						Phase and Neutral		Equipment Ground		
						Cu	Al	Cu	Al	
UNDERGROUND OR OVERHEAD LOOP-FEED TERMINALS—NON-PEDESTAL •										
1C	1Ø2W	40	One 20A, 125V, 2W and Grd. Duplex NEMA 5-20R	(1)QO120GFI	PAK10CTG	#14-6	#12-6	#10-2/0	#6-2/0	2R
2C	1Ø2W	40	Two 20A, 125V, 2W and Grd. Duplex NEMA 5-20R	(2)QO120GFI	PAK11CTG	#14-6	#12-6	#10-2/0	#6-2/0	2R
3C	1Ø2W	50	One 30A, 125V, 2W and Grd. One 20A, 125V, 2W and Grd. Duplex NEMA 5-20R	(1)QO120GFI (1)QO130	PAK41CTG	#14-6	#12-6	#10-2/0	#6-2/0	2R
4C	1Ø2W	50	One 30A, 125V, 2W and Grd. One 20A, 125V, 2W and Grd. Duplex NEMA 5-20R	(1)QO120GFI (1)QO130FI	PAK41CTGFI ▲	#14-6	#12-6	#10-2/0	#6-2/0	2R
5C	1Ø2W	75	Two 30A, 125V, 2W and Grd. One 20A, 125V, 2W and Grd. Duplex NEMA 5-20R	(1)QO120GFI (2)QO130	PAK61CTG	#14-1	#12-1	#10-2/0	#6-2/0	3R
6C	1Ø2W	75	Two 30A, 125V, 2W and Grd. One 20A, 125V, 2W and Grd. Duplex NEMA 5-20R	(1)QO120GFI (2)QO130GFI	PAK61CTGFI ▲	#14-1	#12-1	#10-2/0	#6-2/0	3R
7C	1Ø3W	100	One 50A, 125/250V, 3W and Grd. NEMA 14-50R One 30A, 125V, 2W and Grd. One 20A, 125V, 2W and Grd. Duplex NEMA 5-20R	(1)QO120GFI (1)QO130 (1)QO250-5212	PAK75CTG (Not loop feed)	#14-1	#12-1	#10-2/0	#6-2/0	3R
8C	1Ø3W	100	One 50A, 125/250V, 3W and Grd. NEMA 14-50R One 30A, 125V, 2W and Grd. One 20A, 125V, 2W and Grd. Duplex NEMA 5-20R	(1)QO120GFI (1)QO130GFI (1)QO250-5212	PAK75CTGFI (Not loop feed) ▲	#14-1	#12-1	#10-2/0	#6-2/0	3R

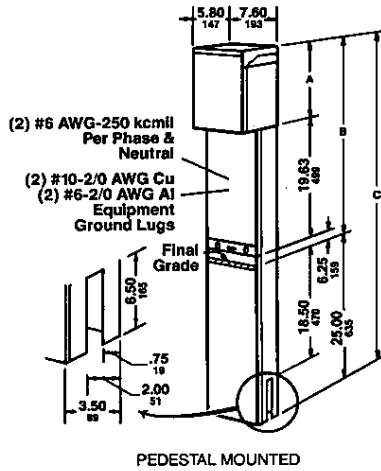
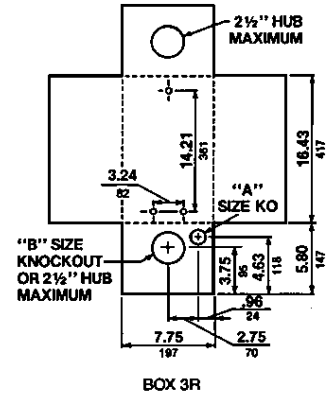
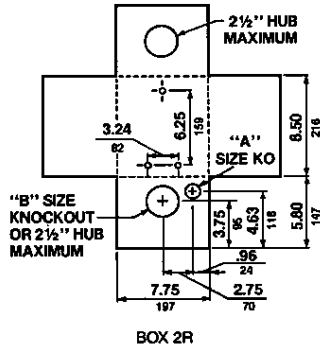
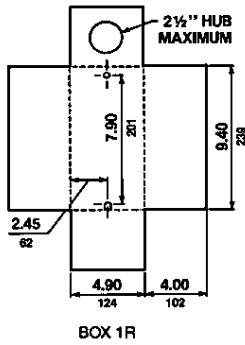
PEDESTAL MOUNTED—UNDERGROUND LOOP-FEED TERMINALS ■										
9C	1Ø2W	40	Two 20A, 125V, 2W and Grd. Duplex NEMA 5-20R	(2)QO120GFI	PAK11PG	(2) #6-250	(2) #10-2/0 Cu (2) #6-2/0 Al	—		
10C	1Ø2W	50	One 30A, 125V, 2W and Grd. One 20A, 125V, 2W and Grd. Duplex NEMA 5-20R	(1)QO120GFI (1)QO130	PAK41PG	(2) #6-250	(2) #10-2/0 Cu (2) #6-2/0 Al	—		
11C	1Ø2W	50	One 30A, 125V, 2W and Grd. One 20A, 125V, 2W and Grd. Duplex NEMA 5-20R	(1)QO120GFI (1)QO130GFI	PAK41PGFI ▲	(2) #6-250	(2) #10-2/0 Cu (2) #6-2/0 Al	—		
12C	1Ø2W	75	Two 30A, 125V, 2W and Grd. One 20A, 125V, 2W and Grd. Duplex NEMA 5-20R	(1)QO120GFI (2)QO130	PAK61PG	(2) #6-250	(2) #10-2/0 Cu (2) #6-2/0 Al	—		
13C	1Ø2W	75	Two 30A, 125V, 2W and Grd. One 20A, 125V, 2W and Grd. Duplex NEMA 5-20R	(1)QO120GFI (2)QO130GFI	PAK61PGFI ▲	(2) #6-250	(2) #10-2/0 Cu (2) #6-2/0 Al	—		
14C	1Ø3W	100	One 50A, 125/250V, 3W and Grd. NEMA 14-50R One 30A, 125V, 2W and Grd. One 20A, 125V, 2W and Grd. Duplex NEMA 5-20R	(1)QO120GFI (1)QO130 (1)QO250-5212	PAK75PG	(2) #6-250	(2) #10-2/0 Cu (2) #6-2/0 Al	—		
15C	1Ø3W	100	One 50A, 125/250V, 3W and Grd. NEMA 14-50R One 30A, 125V, 2W and Grd. One 20A, 125V, 2W and Grd. Duplex NEMA 5-20R	(1)QO120GFI (1)QO130GFI (1)QO250-5212	PAK75PGFI ▲	(2) #6-250	(2) #10-2/0 Cu (2) #6-2/0 Al	—		

- Devices have a bolt-on factory installed closing cap. Order type "B" bolt-on hub separately.
- Stabilizer foot—for use in unstable ground. Order catalog number HNP-SF.
- Δ Two wires each per phase neutral, and equipment ground—for loop-feed.
- ▲ "Order Only"—not stocked in PDS. Order Point: Lexington.
- ★ 20 ampere receptacles protected by 20 ampere GFI breaker.



QO, QWIK-GARD and SERVICEPAK are Registered Trademarks of Square D Company.

**POWER OUTLET PANELS
FOR CONSTRUCTION SITES
AND FOR RECREATIONAL VEHICLE PARKS
DIMENSIONS**



DIMENSIONS (Inches/Millimeters)

Catalog Number	PAK11PG	PAK41PG	PAK61PG	PAK61PGFI
	PAK41PGFI	PAK75PG	PAK75PGFI	PAK75PGFI
A	8.63/219		16.43/421	
B	34.50/876		42.31/1083	
C	59.50/1511		67.30/1723	

KNOCKOUT TABLE

Symbol	Conduit Size						
	1/2"	3/4"	1"	1 1/4"	1 1/2"	2"	2 1/2"
A	x	x	x				
B				x	x	x	x

Dual Dimensions: **INCHES**
Millimeters

BOLT-ON HUBS UL LISTED

Conduit Size	3/4"	1"	1 1/4"	1 1/2"	2"	2 1/2"
Hub Catalog No.	B075	B100	B125	B150	B200	B250

