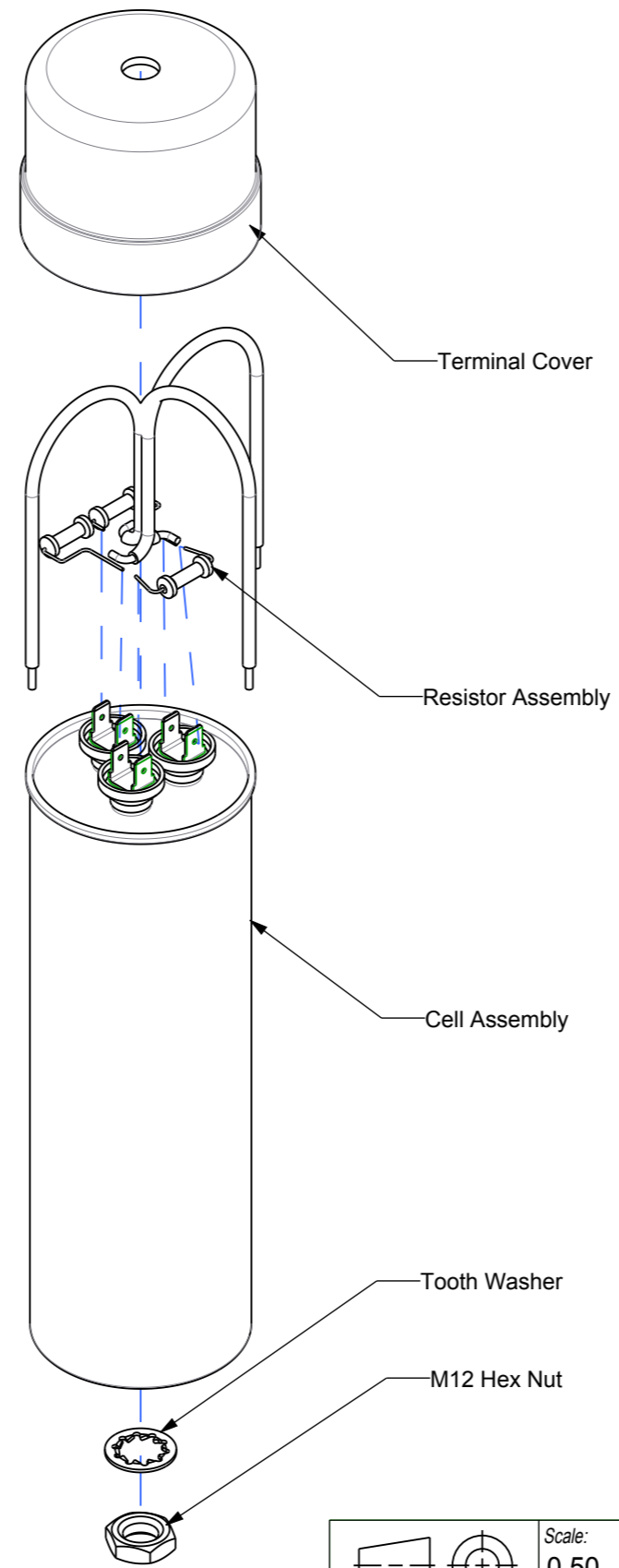
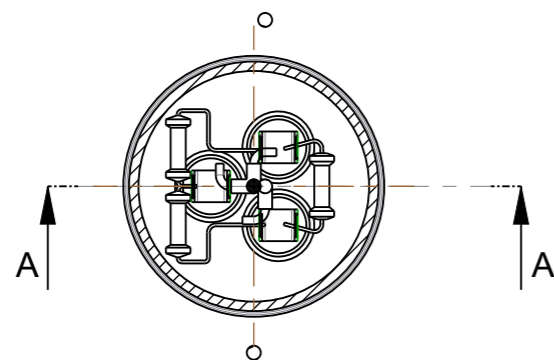
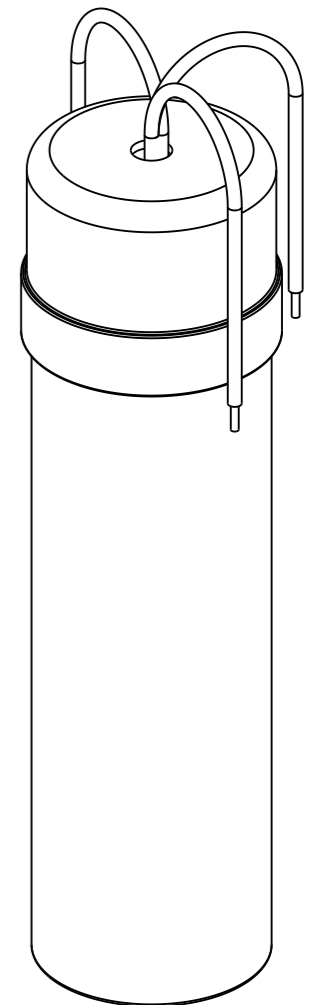


SECTION B-B



Creepage Distance 13mm
 Clearance 13mm
 Expansion (A) Max. 12mm
 Mounting Details
 (For M12 mounting stud)
 Torque - 10 Nm
 Tooth Washer M12
 Hex Nut M12
 Terminal Assembly T = 50mm



	Scale: 0.50	Tolerancing Standard :	Units of measure : millimeter
		ASSEMBLY-CAN SDUTY FASTON TYPE FRAME - HC	
		ASSEMBLY-CAN SDUTY FASTON TYPE FRAME - HC	
Number:		HRB8889700	Revision: 00
			Sheet: 1/1

The information is highly confidential and is the exclusive property of Schneider Electric copyright reserved. This drawing must not be used for any purpose other than that expressly permitted in writing by the owners and must not be disclosed or reproduced in any way without permission from the owners in writing. This drawing must be returned to the owners when the purpose has ceased.

State:

Provisional

NOTE: Original internal part no. will be without suffix "_INSTX".