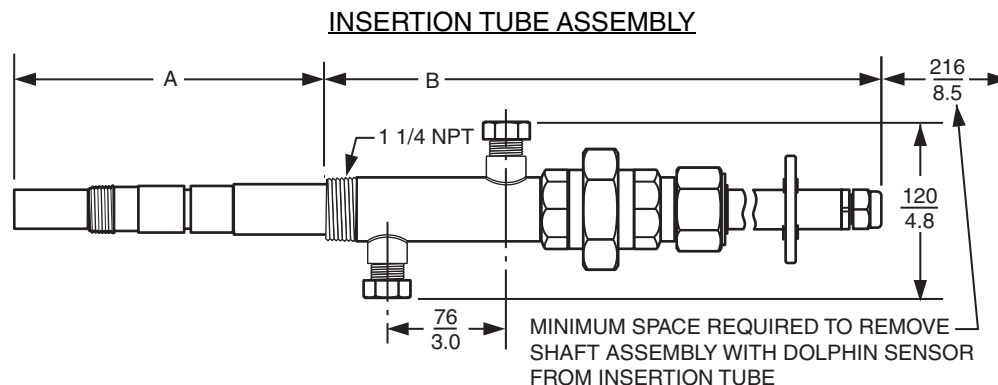


Legacy Insertion Tube and Ball Valve Assemblies for DolpHin[®] Series pH and ORP Sensors

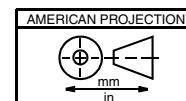


Assembly	Insertion Depth "A"	Overall Length "B" (a)	Material
BS810JU	0 to 36 cm (0 to 14 in)	67 cm (26.5 in)	316 ss
BS811MB	0 to 56 cm (0 to 22 in)	88 cm (34.5 in)	316 ss
BS810MM	0 to 38 cm (0 to 15 in)	70 cm (27.5 in)	Titanium
BS811MC	0 to 58 cm (0 to 23 in)	90 cm (35.5 in)	Titanium

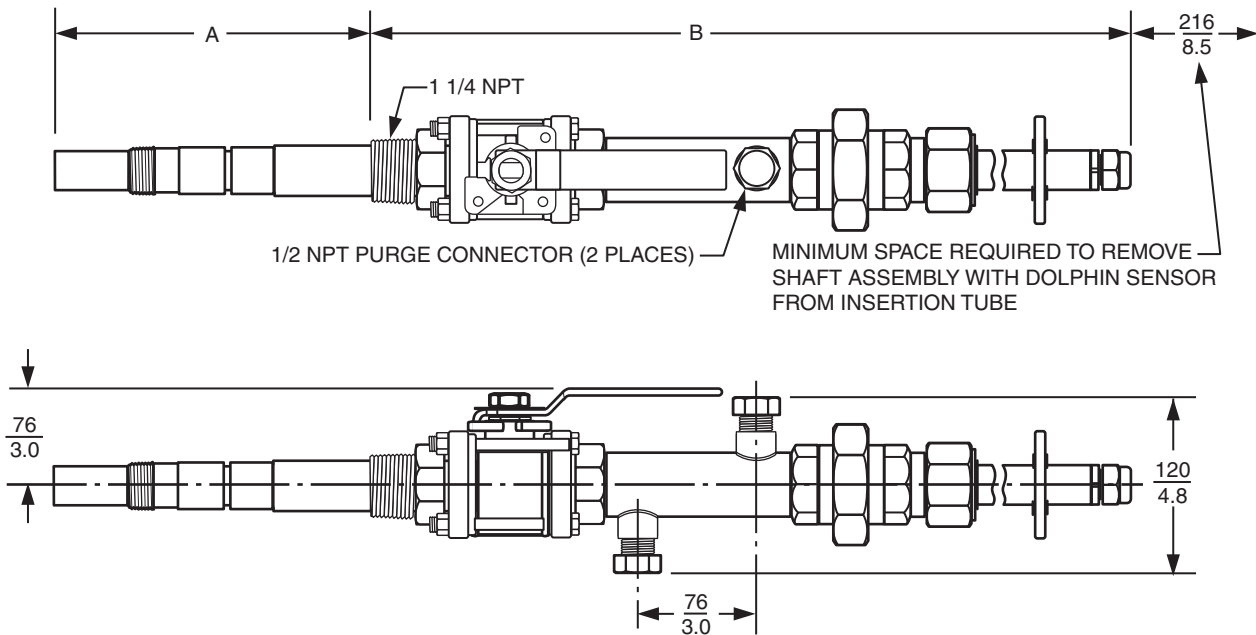
a. Overall length "B" dimension is at full retracted position (not shown).

NOTE: Insertion depth and overall length are approximate. Actual dimensions depend on the extent of thread engagement in NPT connections.

For dimensional information specific to your sales order, contact your sales representative to order a Certified Dimensional Print (CDP).



BALL VALVE INSERTION ASSEMBLY



Assembly	Insertion Depth "A"	Overall Length "B" (a)	Material
BS810LV	0 to 20 cm (0 to 8 in)	75 cm (29.5 in)	316 ss
BS810MJ	0 to 40 cm (0 to 16 in)	95 cm (37.5 in)	316 ss
BS810MT	0 to 20 cm (0 to 8 in)	77 cm (30.5 in)	Titanium
BS810MQ	0 to 40 cm (0 to 16 in)	98 cm (38.5 in)	Titanium

a. Overall length "B" dimension is at full retracted position (not shown).

NOTE: For BVA Series ball valve insertion assemblies for DolpHin Series pH and ORP sensors, refer to DP 611-182.