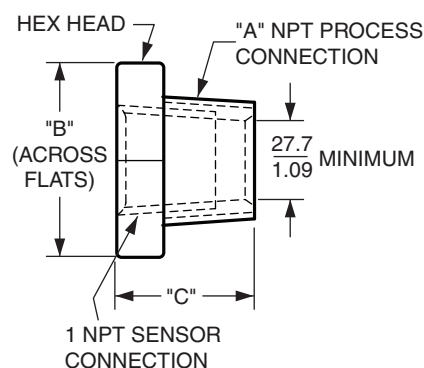


## 871A (pH and ORP) and 871DO (Dissolved Oxygen) Sensor Accessories

Bushings, Sleeves, Tees, and Flow Chambers  
See Page 4 for Application of 871A and 871DO Sensors

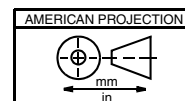
### BUSHINGS FOR USE WITH 871A AND 871DO SENSORS



Part Number	Material	Dimensions (a)		
		"A"	"B"	"C"
BS805TD	316 ss	1 1/4 NPT	46 1.8	30 1.2
BS805TE	CPVC	1 1/4 NPT	41 1.6	36 1.4
BS805TF	316 ss	1 1/2 NPT	51 2.0	33 1.3
BS805TG	PVDF	1 1/2 NPT	51 2.0	36 1.4
BS805TH	CPVC	1 1/2 NPT	51 2.0	36 1.4

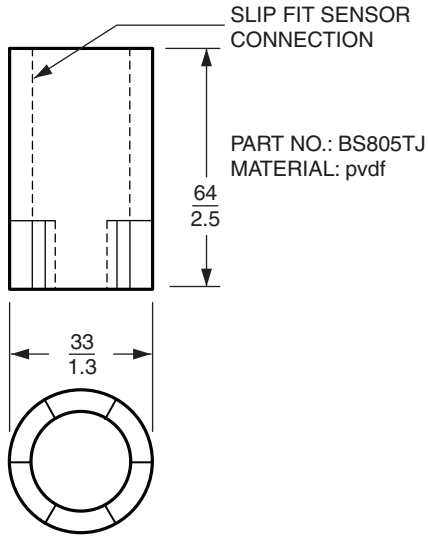
(a) The "B" and "C" dimensions listed are approximate.

For dimensional information specific to your sales order, contact your sales representative to order a Certified Dimensional Print (CDP).

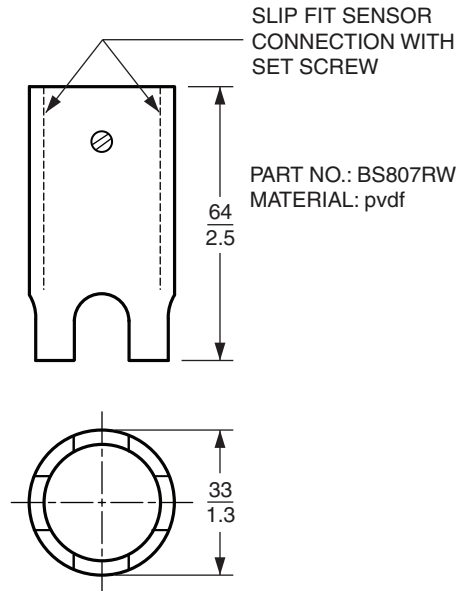


ELECTRODE PROTECTION SLEEVES

FOR 871A pH SENSOR

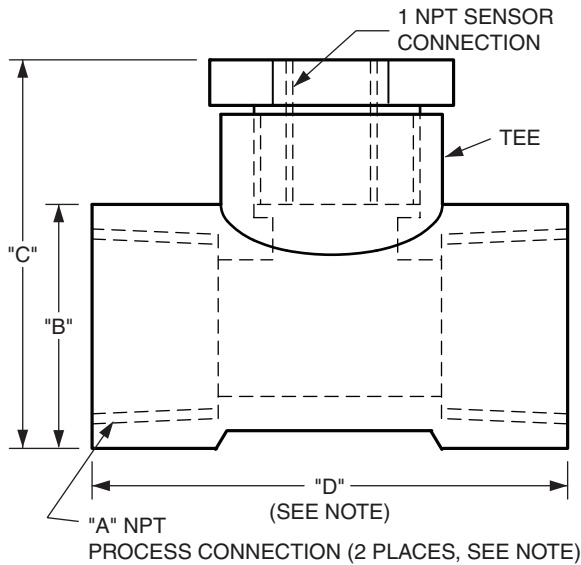


FOR 871DO SENSOR



TEES FOR USE WITH 871A AND 871DO SENSORS

TEES (INCLUDING REDUCING BUSHINGS) - 316 ss AND pvdf MATERIALS

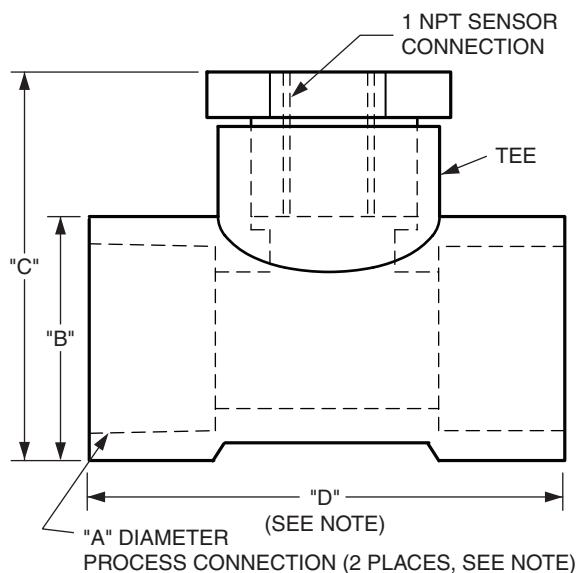


Part Number	Material	Dimensions (a)			
		"A"	"B"	"C"	"D"
BS805SV	316 ss	1NPT	64 2.5	94 3.7	124 4.9
BS805SW	PVDF	1NPT	64 2.5	89 32.5	147 5.8
BS805SY	316 ss	1 1/4 NPT	64 2.5	94 3.7	124 4.9

Part Number	Material	Dimensions (a)			
		"A"	"B"	"C"	"D"
BS805TA	316 ss	1 1/2 NPT	64 2.5	94 3.7	99 3.98
BS805TB	PVDF	1 1/2 NPT	64 2.5	89 3.5	122 4.8

(a) The "B", "C", and "D" dimensions listed are approximate.

TEES (INCLUDING REDUCING BUSHINGS) - CPVC MATERIAL



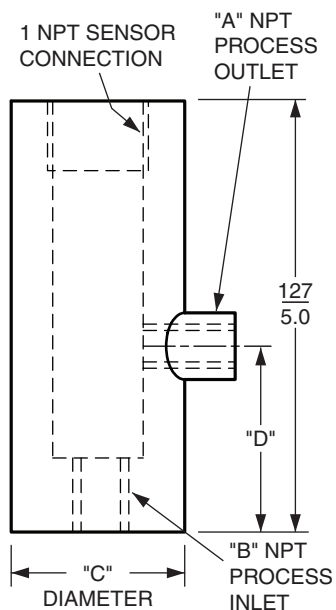
NOTE:

THE "D" DIMENSION ENCLUDES REDUCING BUSHINGS, AS NECESSARY, TO PROVIDE THE "A" NPT OR "A" DIAMETER PROCESS CONNECTION LISTED IN THE TABLES ABOVE.

Part Number	Material	Dimensions (a)			
		"A"	"B"	"C"	"D"
BS805SX	CPVC	33 1.3	64 2.5	102 4.0	193 7.6
BS805SZ	CPVC	41 1.6	64 2.5	102 4.0	137 5.4
BS805TC	CPVC	48 1.9	64 2.5	102 4.0	124 4.9

(a) The "B", "C", and "D" dimensions listed are approximate.

FLOW CHAMBERS<sup>(a)</sup> FOR USE WITH 871A pH AND 871DO DISSOLVED OXYGEN SENSORS



Part Number	Material	Dimensions (a)			
		"A"	"B"	"C"	"D"
BS805SP	316 ss	1/4 NPT	1/4 NPT	44 1.75	44 1.75
BS805SQ	PVDF	1/4 NPT	1/4 NPT	51 2.0	56 2.2
BS805SR	CPVC	1/4 NPT	1/4 NPT	44 1.75	44 1.75
BS805SS	316 ss	1/2 NPT	1/2 NPT	44.5 1.75	44.5 1.75
BS805ST	PVDF	1/2 NPT	1/2 NPT	51 2.0	56 2.2
BS805SU	CPVC	1/2 NPT	1/2 NPT	44 1.75	44 1.75

Note

See table below for application of 871A and 871DO Sensors

Sensor	Measurement	Instrument Used With
871A	pH and ORP	870ITPH Intelligent Transmitter 870PH Transmitter 873PH Electrochemical Analyzer 873APH Electrochemical Analyzer
871DO	Dissolved Oxygen	873DO Dissolved Oxygen Analyzer

(a) With 871 pH Sensor, maximum flow rate is 10 ml/s.  
With 871DO Sensor, optimum flow rate is from 1.0 to 1.5 l/min.





Invensys Systems, Inc.  
38 Neponset Avenue  
Foxboro, MA 02035  
United States of America  
<http://www.fielddevices.foxboro.com>

Global Customer Support  
Inside U.S.: 1-866-746-6477  
Outside U.S.: 1-508-549-2424  
Website: <http://support.ips.invensys.com>

Copyright 1995-2016 Invensys Systems, Inc.  
All rights reserved.

Invensys and Foxboro are trademarks of Invensys Limited, its subsidiaries, and affiliates. All other trademarks are the property of their respective owners.

Invensys is now part of Schneider Electric.