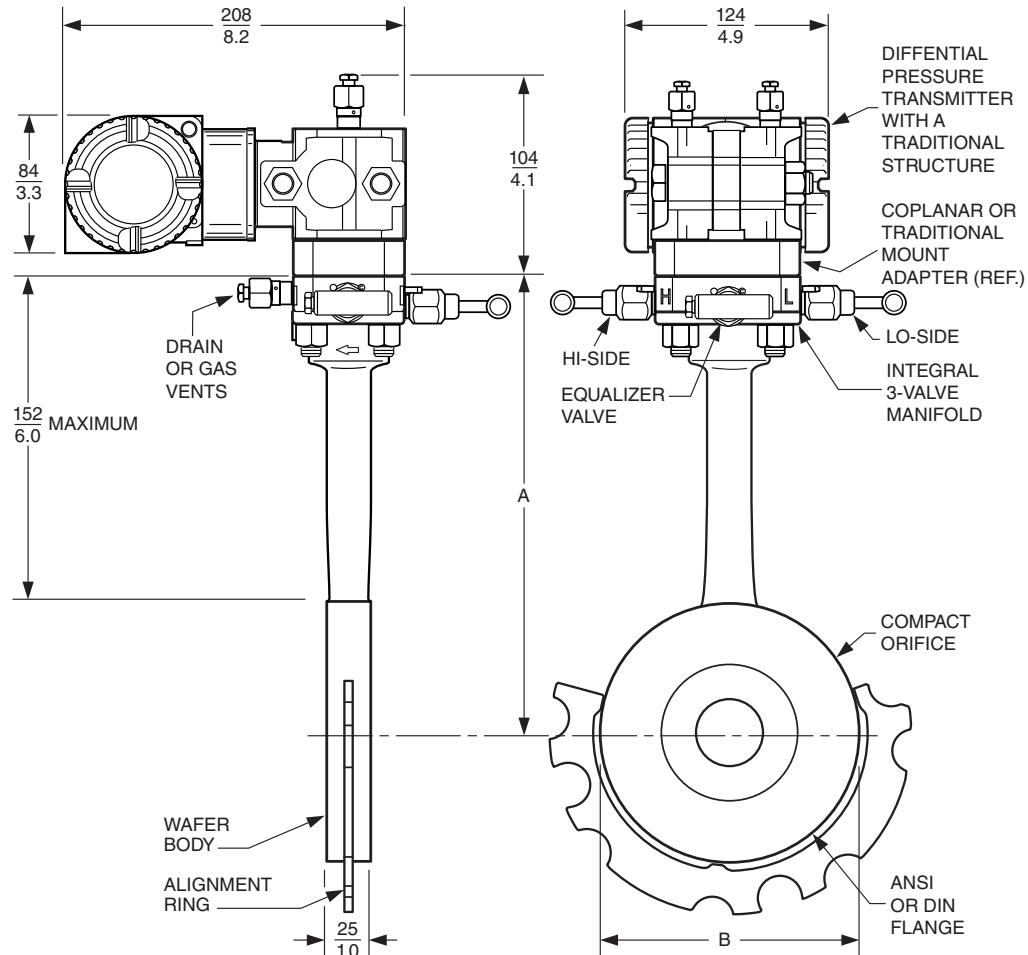


Model CO Compact Orifice

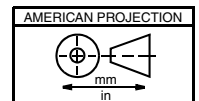
For Use with I/A Series[®] Differential Pressure Transmitters

MODEL CO WITH AN IDP10 TRANSMITTER HAVING A TRADITIONAL STRUCTURE



Pipeline Size	Dimension A	Dimension B
DN 15 (1/2 in)	163 mm (6.4 in)	35.1 mm (1.38 in)
DN 25 (1 in)	170 mm (6.7 in)	50.8 mm (2.00 in)
DN 40 (1 1/2 in)	180 mm (7.1 in)	73.2 mm (2.88 in)
DN 50 (2 in)	190 mm (7.5 in)	92.2 mm (3.63 in)
DN 80 (3 in)	208 mm (8.2 in)	127.0 mm (5.00 in)
DN 100 (4 in)	224 mm (8.8 in)	157.0 mm (6.19 in)

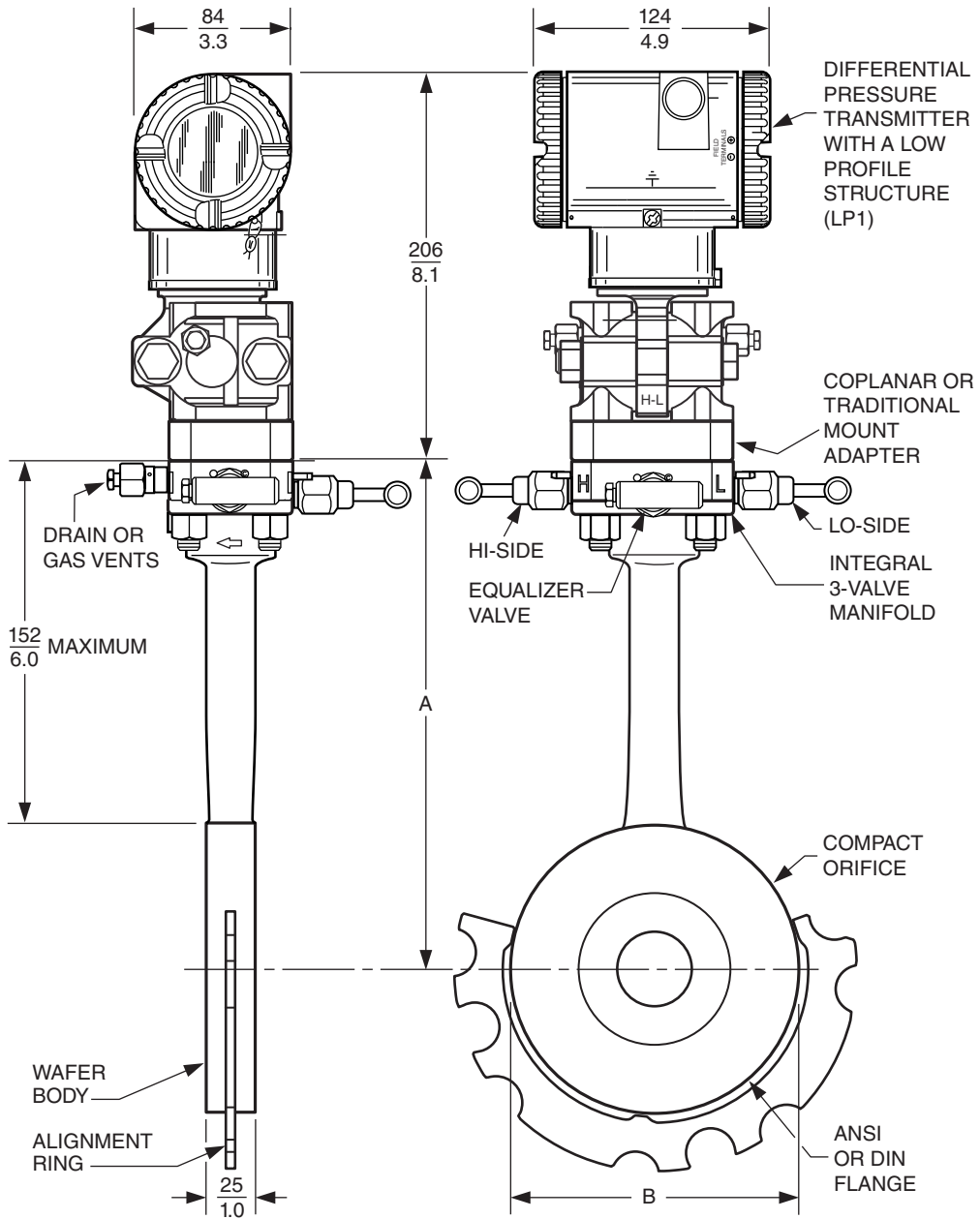
For dimensional information specific to your sales order, contact your sales representative to order a Certified Dimensional Print (CDP).



Foxboro[®]

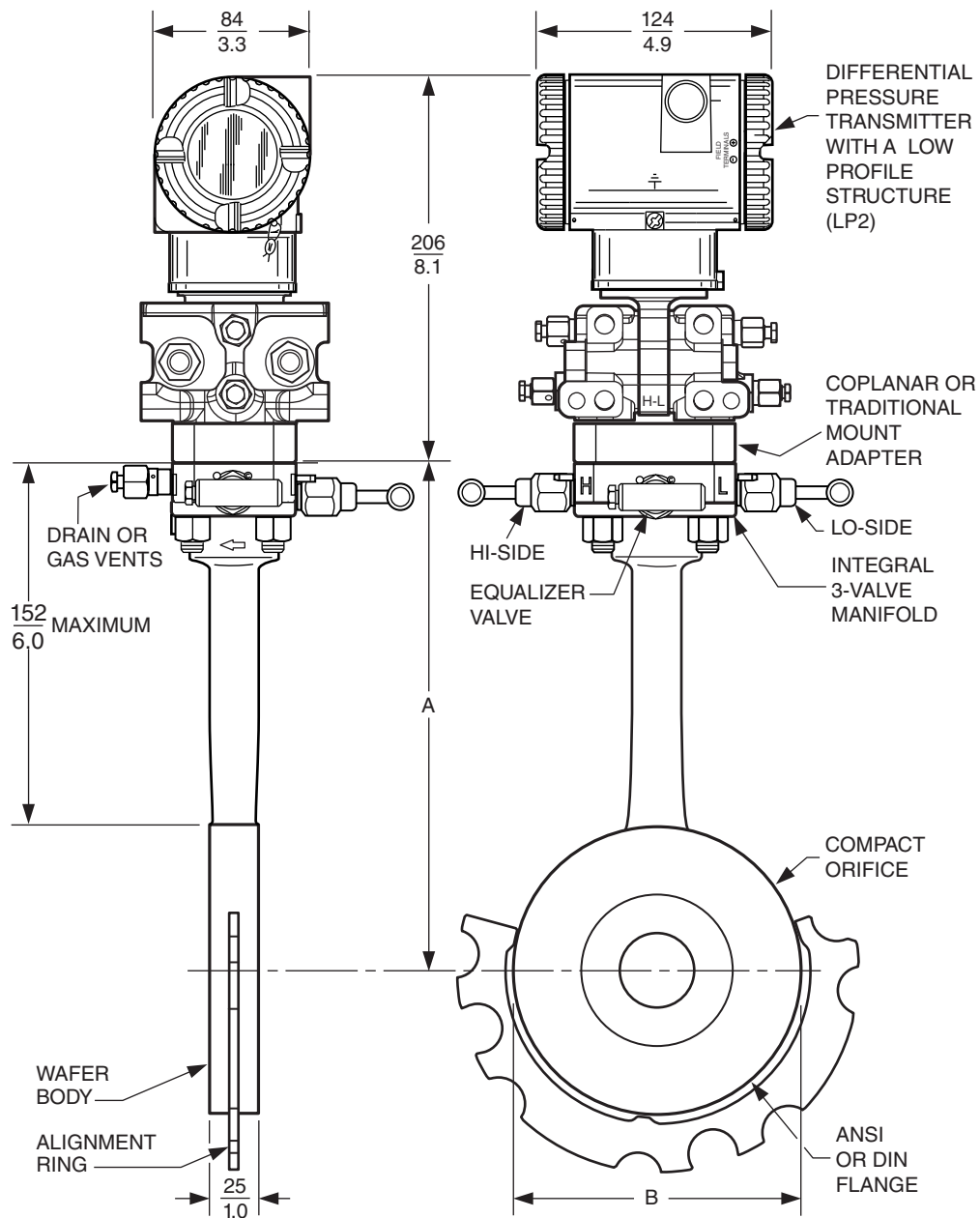
by **Schneider** Electric

MODEL CO WITH AN IDP10 TRANSMITTER HAVING A LOW PROFILE/COPLANAR (LP1) STRUCTURE



Pipeline Size	Dimension A	Dimension B
DN 15 (1/2 in)	163 mm (6.4 in)	35.1 mm (1.38 in)
DN 25 (1 in)	170 mm (6.7 in)	50.8 mm (2.00 in)
DN 40 (1 1/2 in)	180 mm (7.1 in)	73.2 mm (2.88 in)
DN 50 (2 in)	190 mm (7.5 in)	92.2 mm (3.63 in)
DN 80 (3 in)	208 mm (8.2 in)	127.0 mm (5.00 in)
DN 100 (4 in)	224 mm (8.8 in)	157.0 mm (6.19 in)

MODEL CO WITH AN IDP10 TRANSMITTER HAVING A LOW PROFILE/COPLANAR (LP2) STRUCTURE



Pipeline Size	Dimension A	Dimension B
DN 15 (1/2 in)	163 mm (6.4 in)	35.1 mm (1.38 in)
DN 25 (1 in)	170 mm (6.7 in)	50.8 mm (2.00 in)
DN 40 (1 1/2 in)	180 mm (7.1 in)	73.2 mm (2.88 in)
DN 50 (2 in)	190 mm (7.5 in)	92.2 mm (3.63 in)
DN 80 (3 in)	208 mm (8.2 in)	127.0 mm (5.00 in)
DN 100 (4 in)	224 mm (8.8 in)	157.0 mm (6.19 in)



Invensys Systems, Inc.
38 Neponset Avenue
Foxboro, MA 02035
United States of America
<http://www.schneider-electric.com>

Global Customer Support
Inside U.S.: 1-866-746-6477
Outside U.S.: 1-508-549-2424
Website: <http://support.ips.invensys.com>

Copyright 2003-2016 Invensys Systems, Inc.
All rights reserved.

Invensys, Foxboro, and I/A Series are trademarks of Invensys Limited, its subsidiaries, and affiliates. All other trademarks are the property of their respective owners.

Invensys is now part of Schneider Electric.