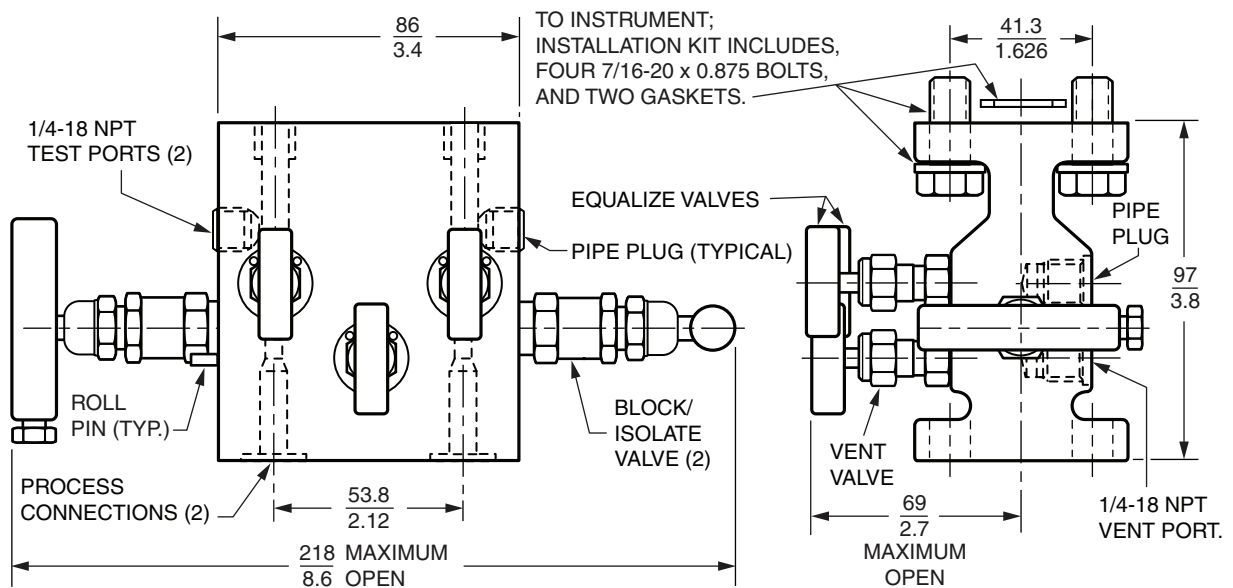


5-Valve Manifolds

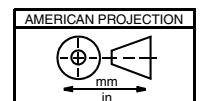
For Use With I/A Series[®] Pressure Transmitter Family

Model M6TA



For optional -AM mounting bracket used with this manifold, see Page 7.

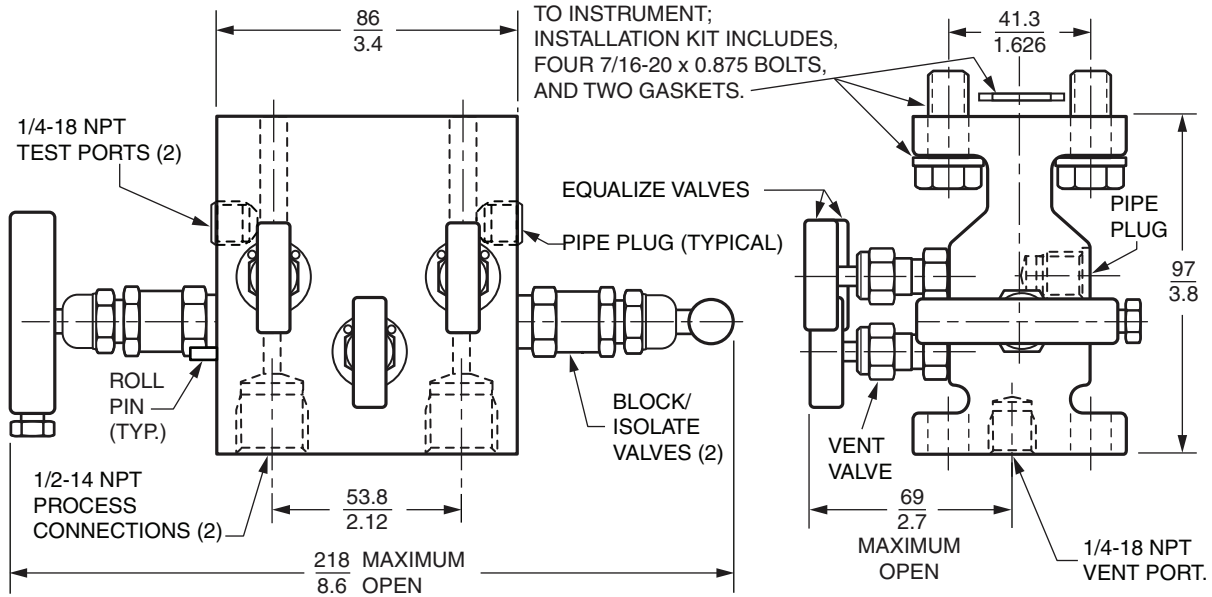
For dimensional information specific to your sales order, contact your sales representative to order a Certified Dimensional Print (CDP).



Foxboro[®]

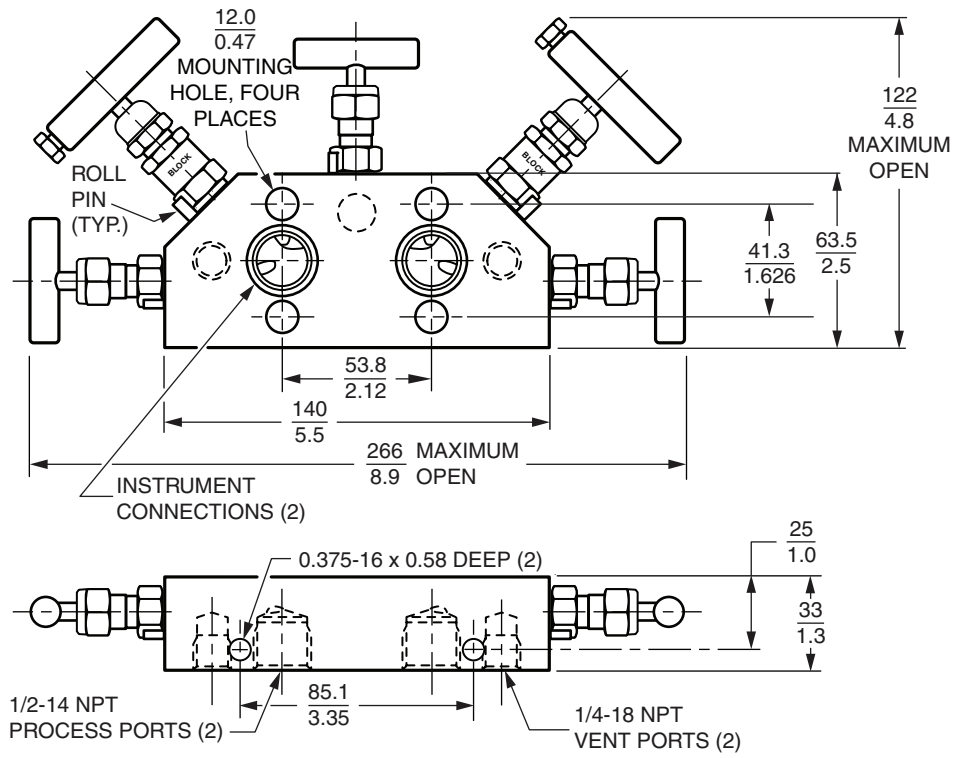
by **Schneider** Electric

Model M6T



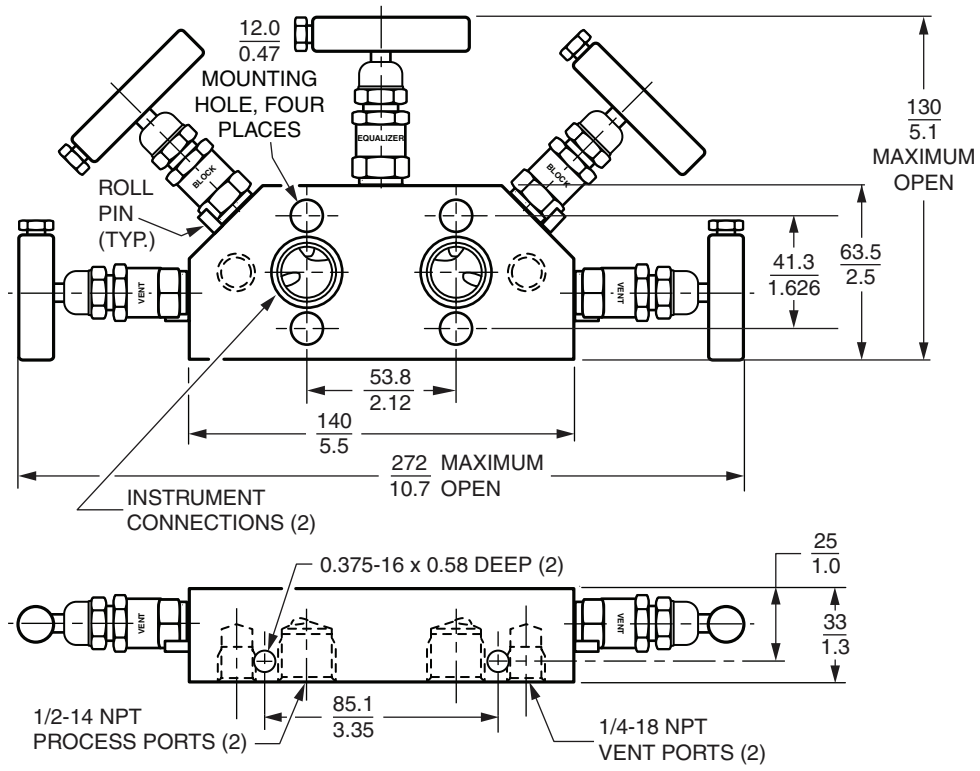
For optional -AM mounting bracket used with this manifold, see Page 7.

Model MB5G



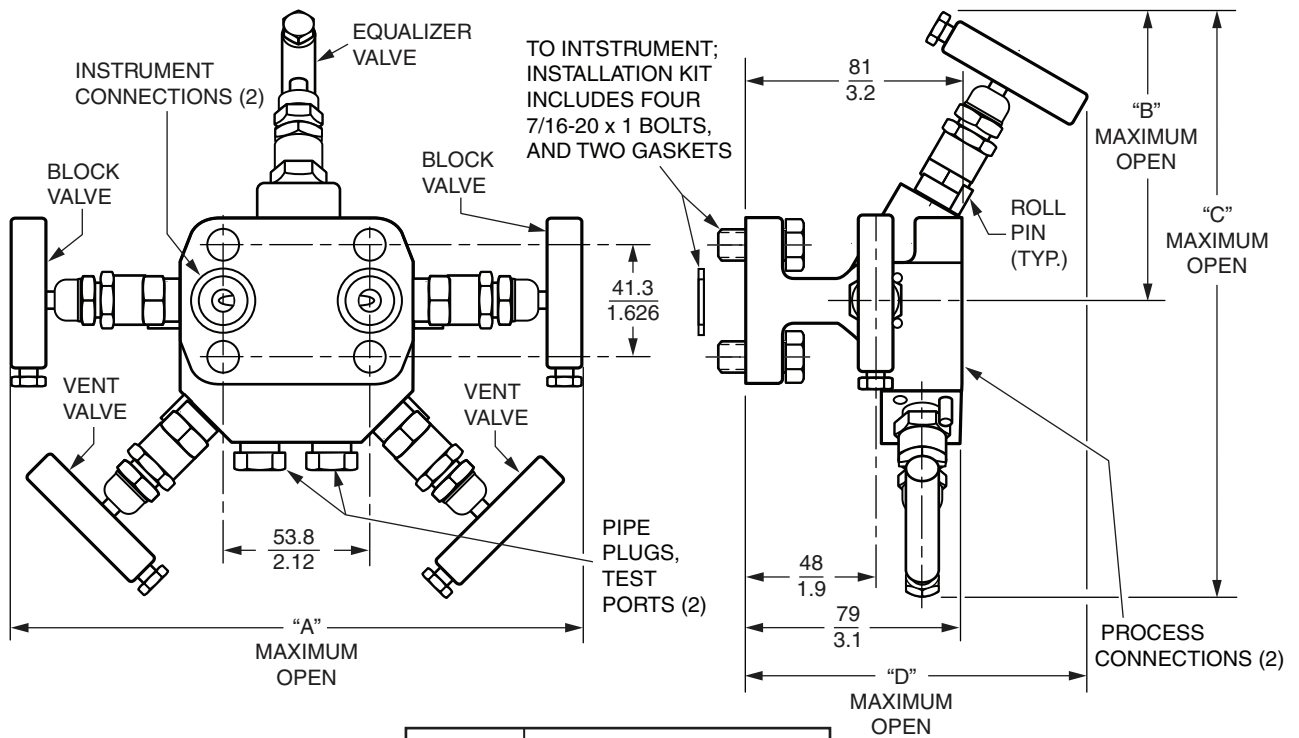
For optional -AM mounting bracket used with this manifold, see Page 8.

Model MB5P



For optional -AM mounting bracket used with this manifold, see Page 8.

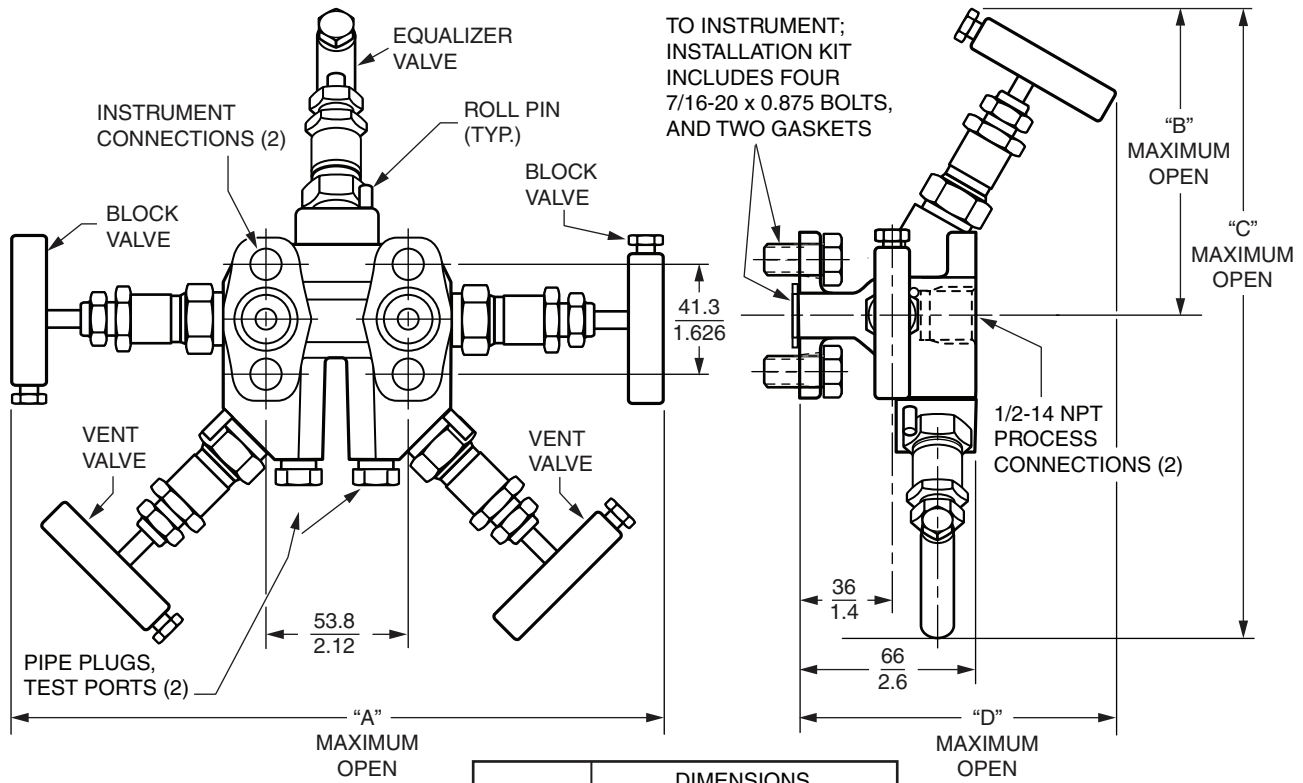
Model M24A



PACKING	DIMENSIONS			
	"A"	"B"	"C"	"D"
Teflon	221	112	221	132
	8.7	4.4	8.7	5.2
Grafoil	248	122	244	142
	9.8	4.8	9.6	5.6

For optional -AM mounting bracket used with this manifold, see Page 9.

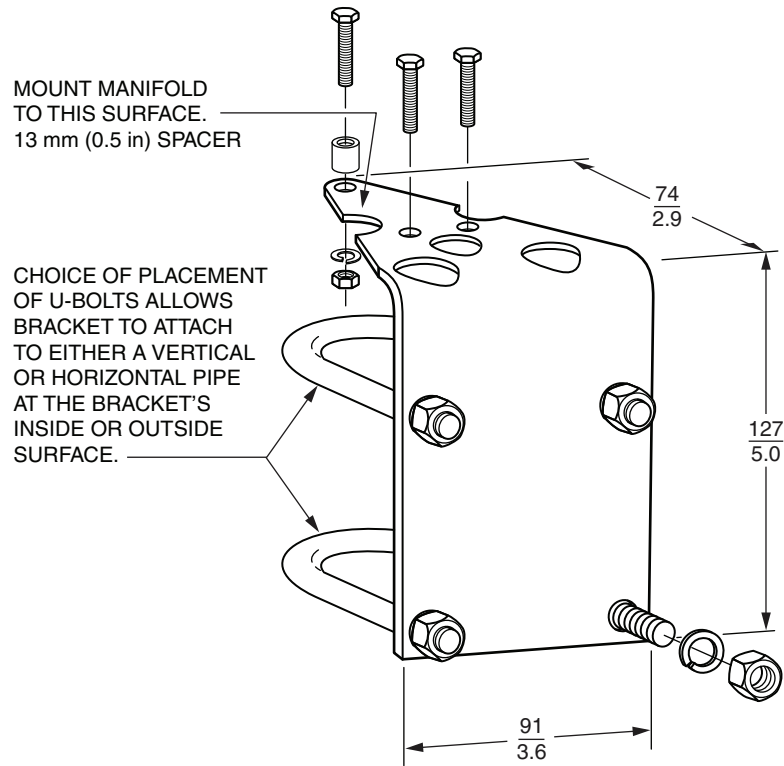
Model M24T



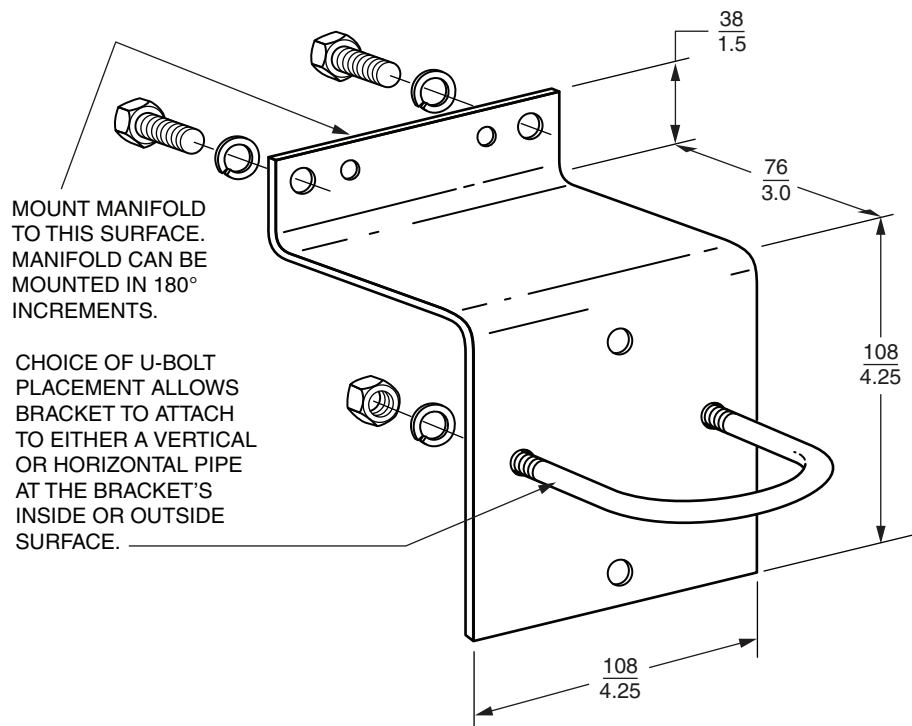
PACKING	DIMENSIONS			
	“A”	“B”	“C”	“D”
Teflon	$\frac{221}{8.7}$	$\frac{112}{4.4}$	$\frac{221}{8.7}$	$\frac{132}{5.2}$
Grafoil	$\frac{248}{9.8}$	$\frac{122}{4.8}$	$\frac{244}{9.6}$	$\frac{142}{5.6}$

For optional -AM mounting bracket used with this manifold, see Page 9.

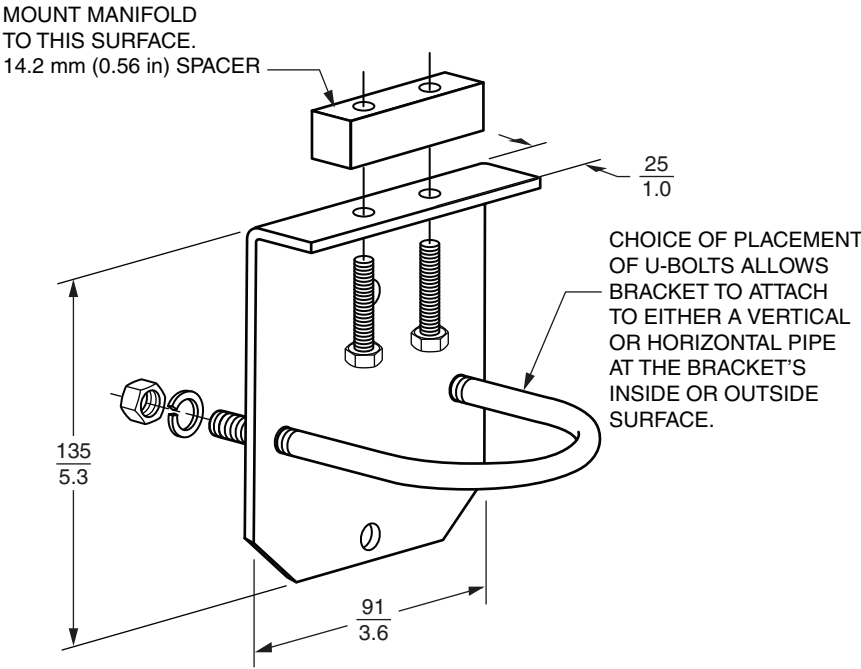
Mounting Kit Option -AM for use with Manifold Models M6T and M6TA



Mounting Kit Option -AM for use with Manifold Models MB5G and MB5P



Mounting Kit Option -AM for use with Manifold Models M24A and M24T





Invensys Systems, Inc.
38 Neponset Avenue
Foxboro, MA 02035
United States of America
<http://www.fielddevices.foxboro.com>

Global Customer Support
Inside U.S.: 1-866-746-6477
Outside U.S.: 1-508-549-2424
Website: <http://support.ips.invensys.com>

Copyright 2008-2016 Invensys Systems, Inc.
All rights reserved.

Invensys, Foxboro, I/A Series, and IPS Logo are trademarks of Invensys Limited, its subsidiaries, and affiliates. All other trademarks are the property of their respective owners.

Invensys is now part of Schneider Electric.