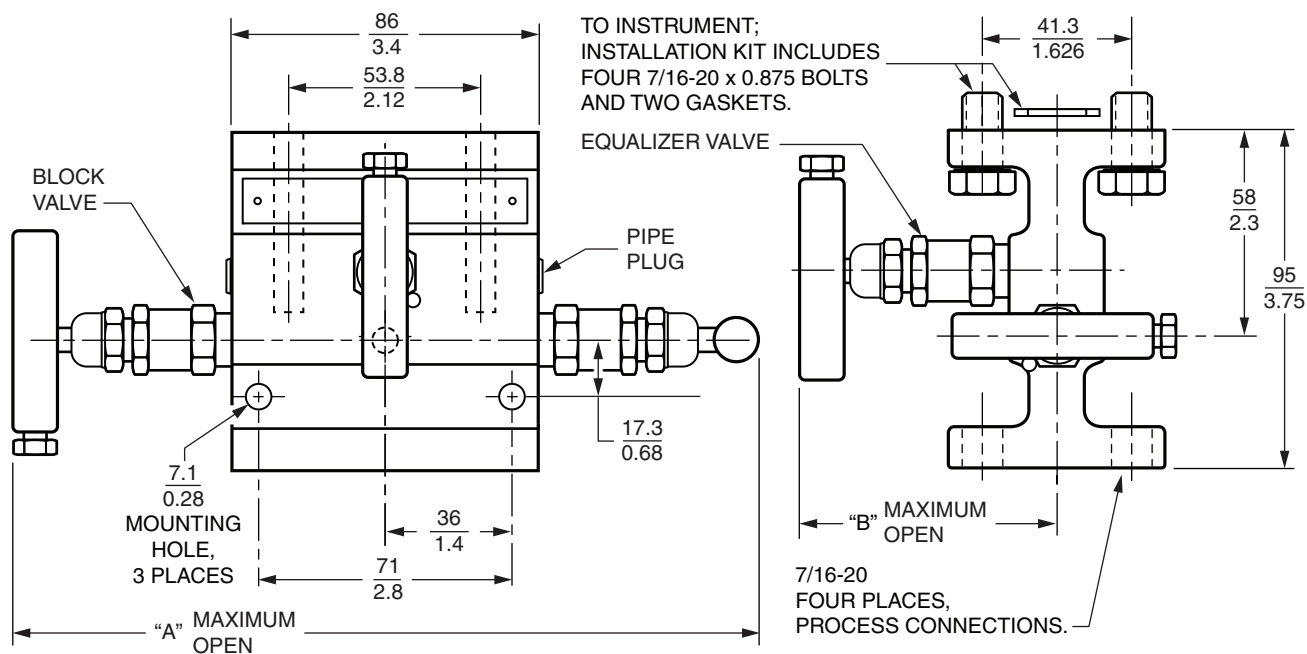


### 3-Valve Manifolds

For Use With I/A Series<sup>®</sup> Pressure Transmitter Family

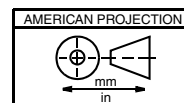
MODEL M4A



DIMENSIONS - mm (in)		
Packing	Dim "A"	Dim "B"
Teflon	218 (8.6)	81 (3.2)
Grafoil	251 (9.9)	99 (3.9)

For optional -AM mounting bracket used with this manifold, see Page 4.

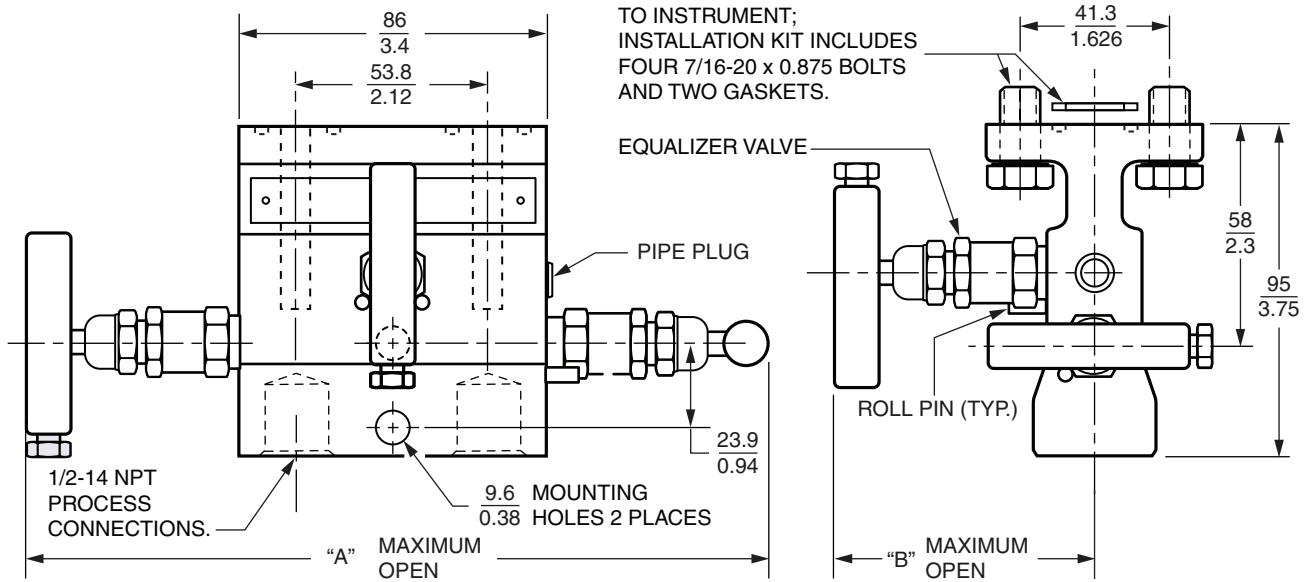
For dimensional information specific to your sales order, contact your sales representative to order a Certified Dimensional Print (CDP).



**Foxboro**<sup>®</sup>

by **Schneider** Electric

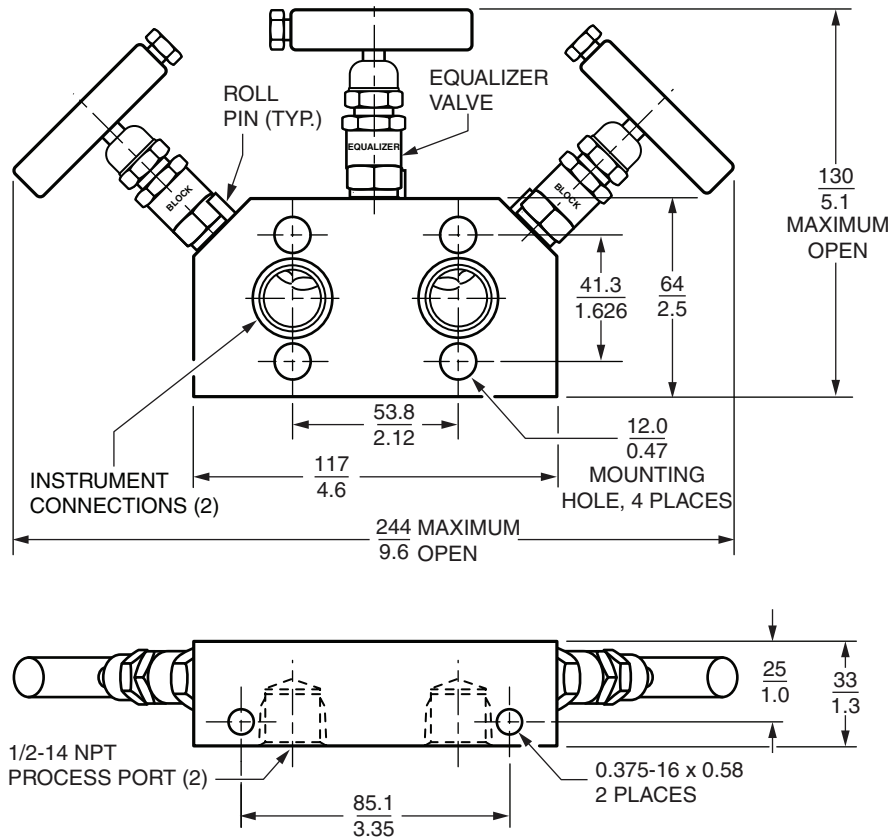
**MODEL M4T**



DIMENSIONS - mm (in)		
Packing	Dim "A"	Dim "B"
Teflon	218 (8.6)	81 (3.2)
Grafoil	251 (9.9)	99 (3.9)

For optional -AM mounting bracket used with this manifold, see Page 5.

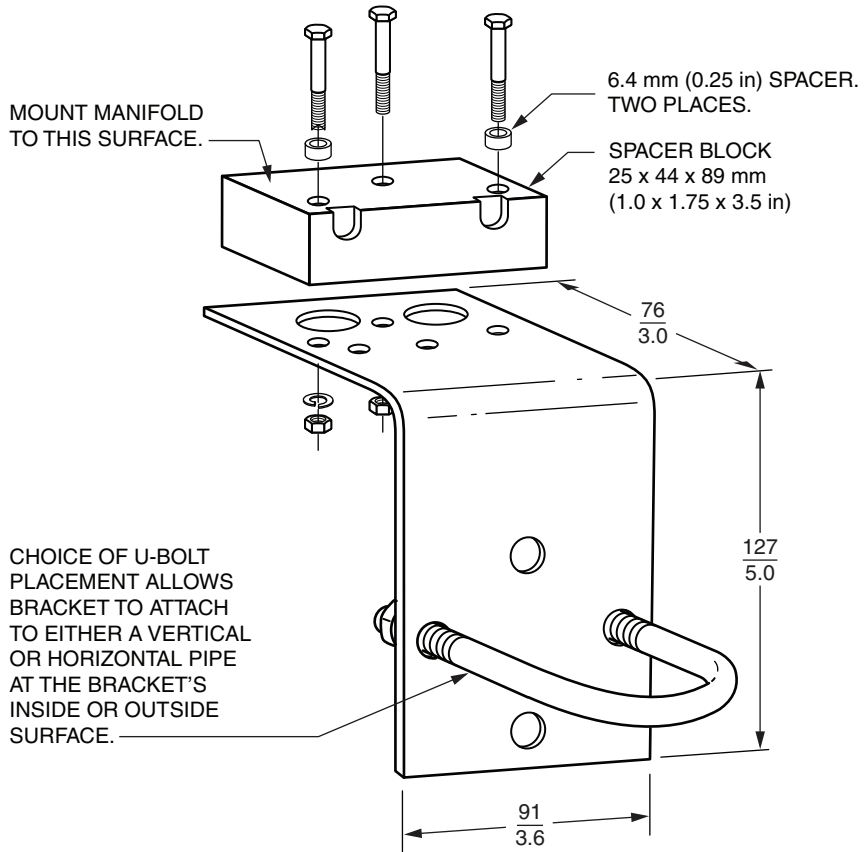
**MODEL MB3**



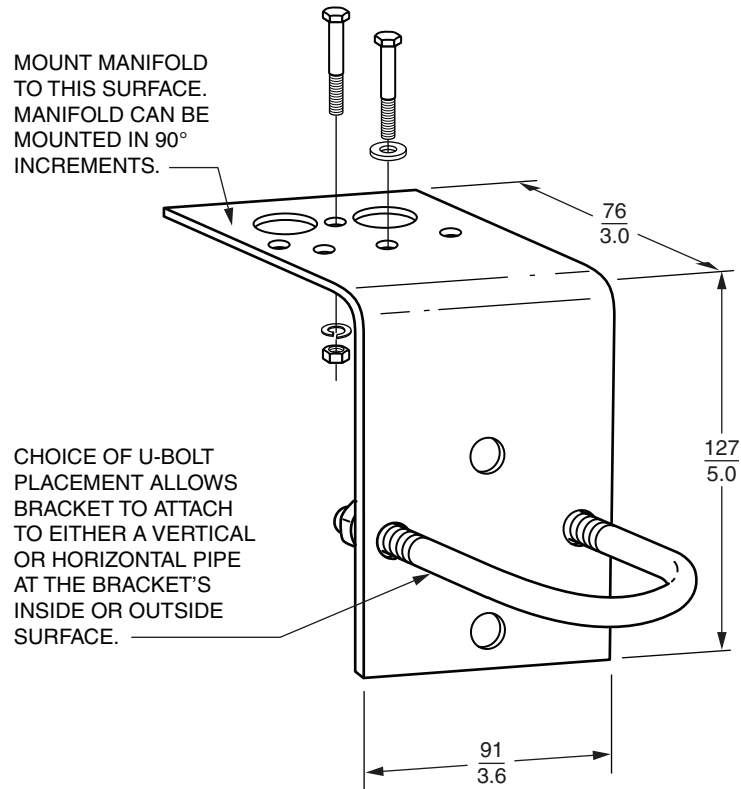
NOTE:  
INSTALLATION KIT (NOT SHOWN) CONSISTS OF  
FOUR 7/16-20 x 1.75 BOLTS, AND TWO GASKETS.

For optional -AM mounting bracket used with this manifold, see Page 6.

MOUNTING KIT OPTION -AM FOR USE WITH MANIFOLD MODEL M4A



MOUNTING KIT OPTION -AM FOR USE WITH MANIFOLD MODEL M4T



MOUNTING KIT OPTION -AM FOR USE WITH MANIFOLD MODEL MB3

