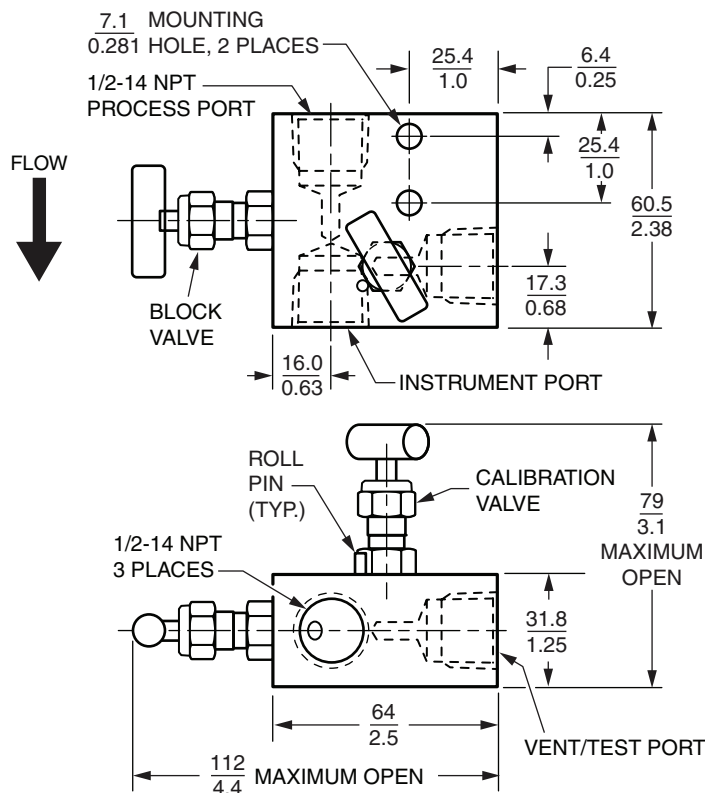


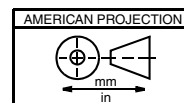
2-Valve Manifolds

For Use With I/A Series[®] Pressure Transmitter Family

MODEL PTM



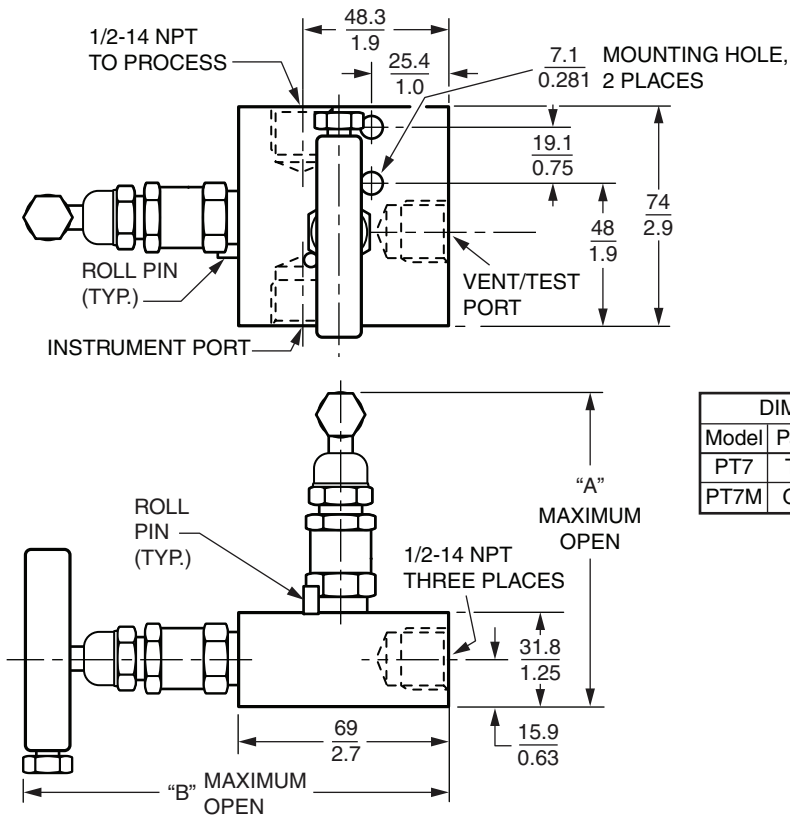
For dimensional information specific to your sales order, contact your sales representative to order a Certified Dimensional Print (CDP).



Foxboro[®]

by **Schneider** Electric

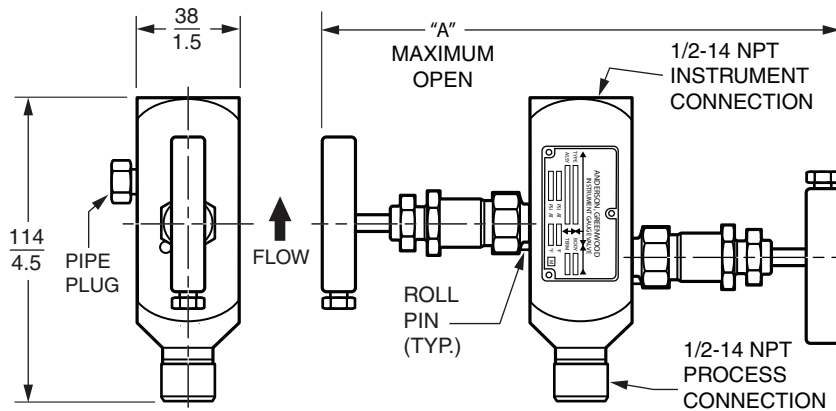
MODEL PT7 AND PT7M



DIMENSIONS - mm (in)			
Model	Packing	Dim "A"	Dim "B"
PT7	Teflon	99 (3.9)	135 (5.3)
PT7M	Grafoil	114 (4.5)	152 (6.0)

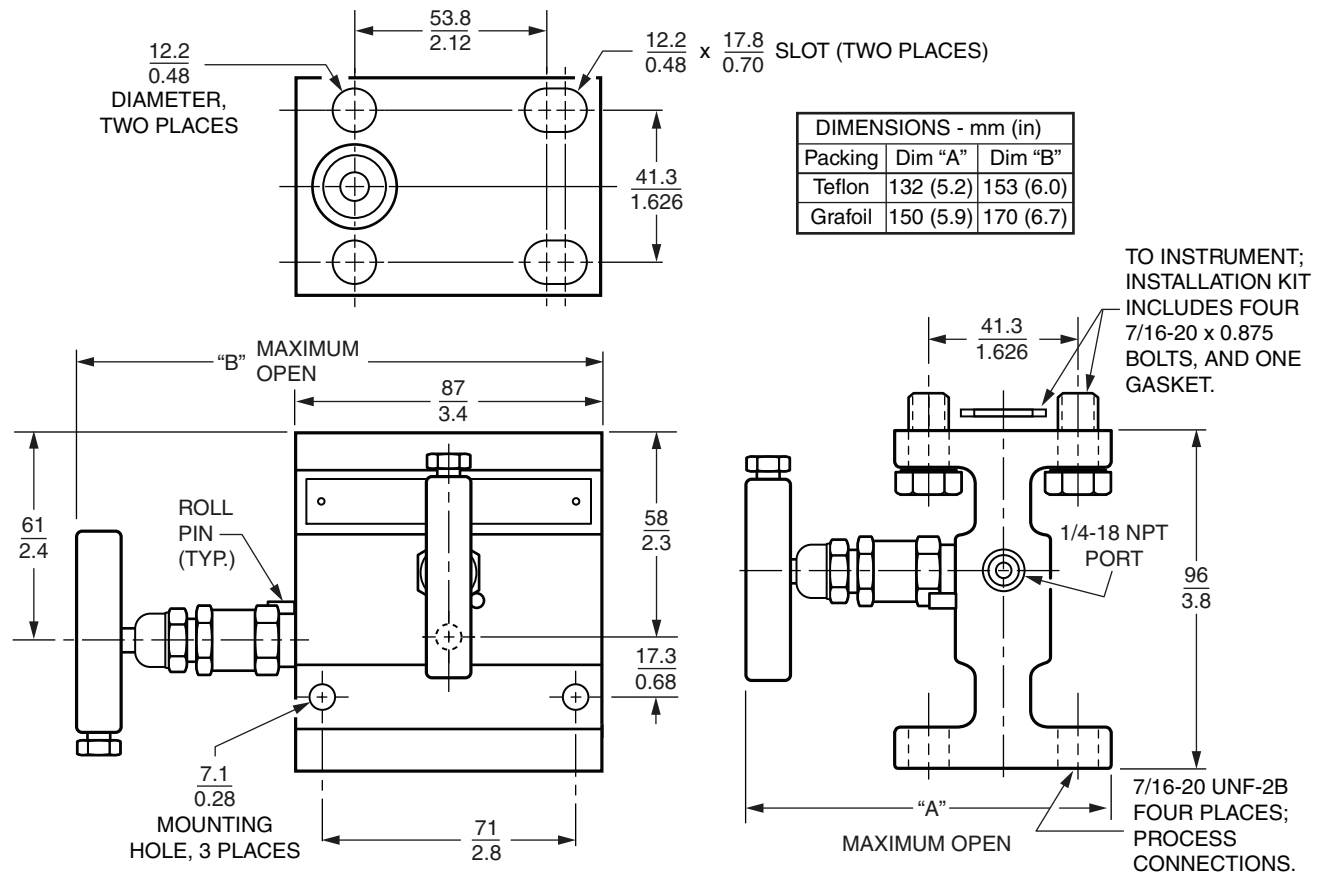
For optional -AM mounting bracket used with this manifold, see Page 6.

MODEL M25



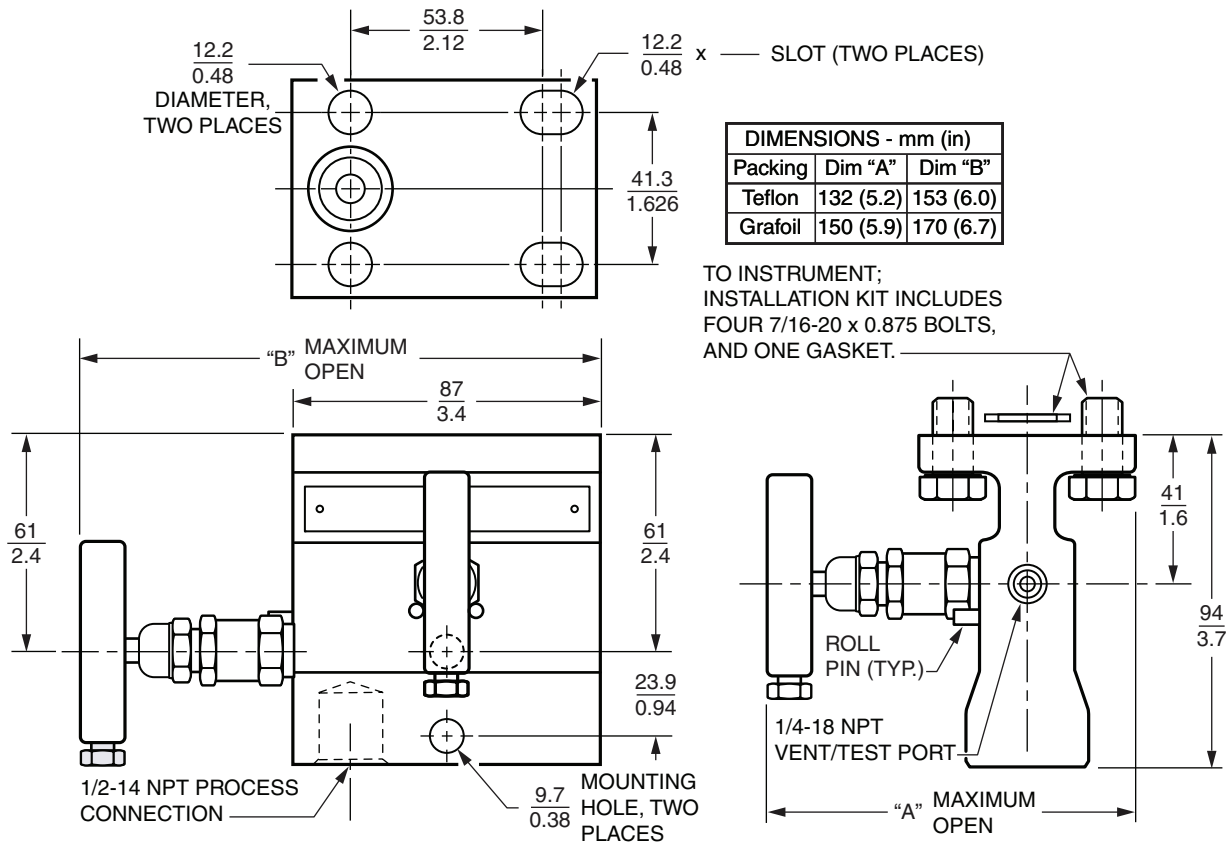
PACKING	DIM. "A"
Teflon	201 7.9
Grafoil	229 9.0

MODEL M4AP



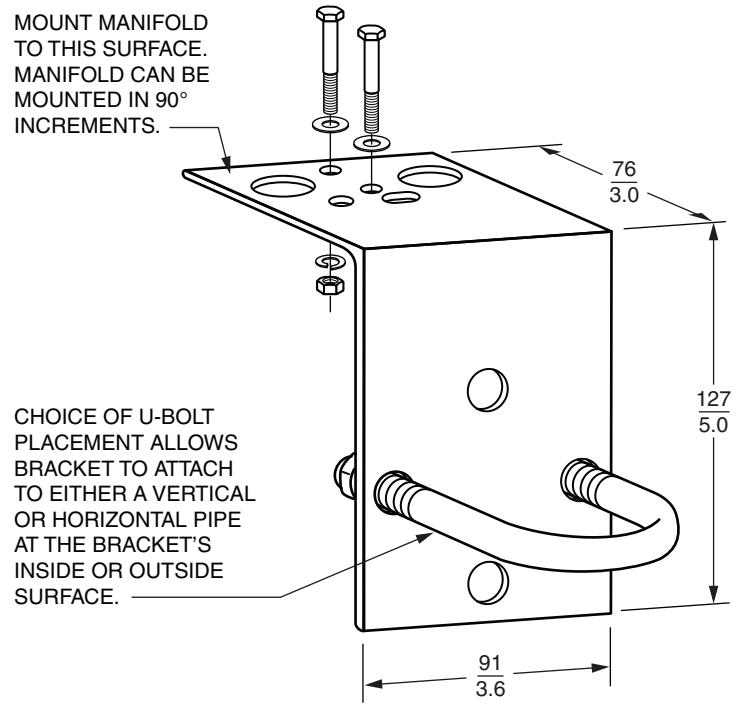
For optional -AM mounting bracket used with this manifold, see Page 7.

MODEL M4TP

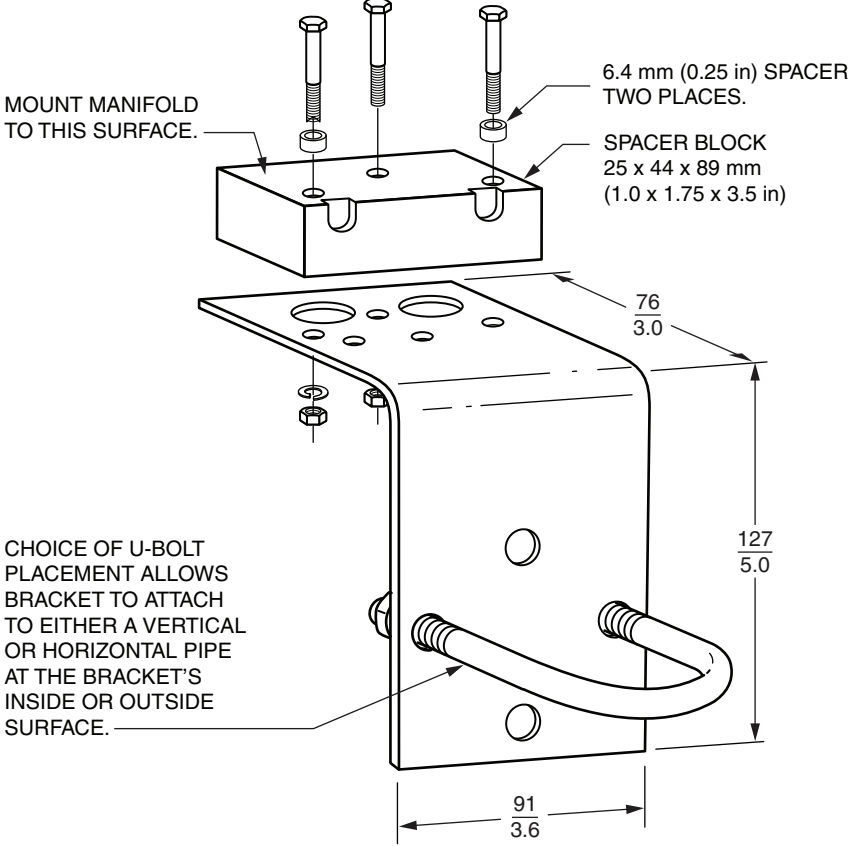


For optional -AM mounting bracket used with this manifold, see Page 8.

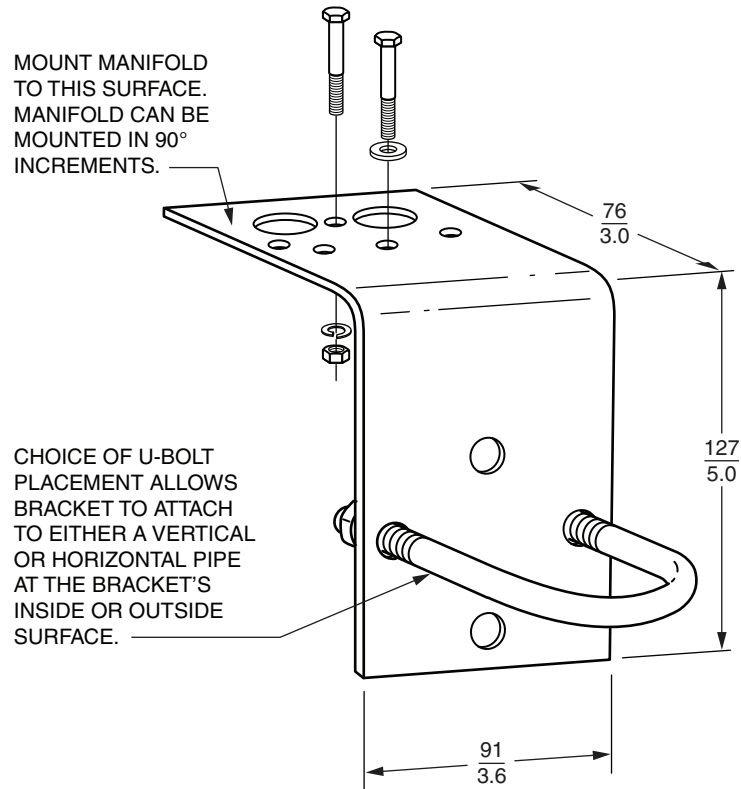
MOUNTING KIT OPTION -AM FOR USE WITH MANIFOLD MODEL PT7



MOUNTING KIT OPTION -AM FOR USE WITH MANIFOLD MODEL M4AP



MOUNTING KIT OPTION -AM FOR USE WITH MANIFOLD MODEL M4TP





Invensys Systems, Inc.
38 Neponset Avenue
Foxboro, MA 02035
United States of America
<http://www.fielddevices.foxboro.com>

Global Customer Support
Inside U.S.: 1-866-746-6477
Outside U.S.: 1-508-549-2424
Website: <http://support.ips.invensys.com>

Copyright 2008-2016 Invensys Systems, Inc.
All rights reserved.

Invensys, Foxboro, and I/A Series are trademarks of
Invensys Limited, its subsidiaries, and affiliates. All other
trademarks are the property of their respective owners.

Invensys is now part of Schneider Electric.