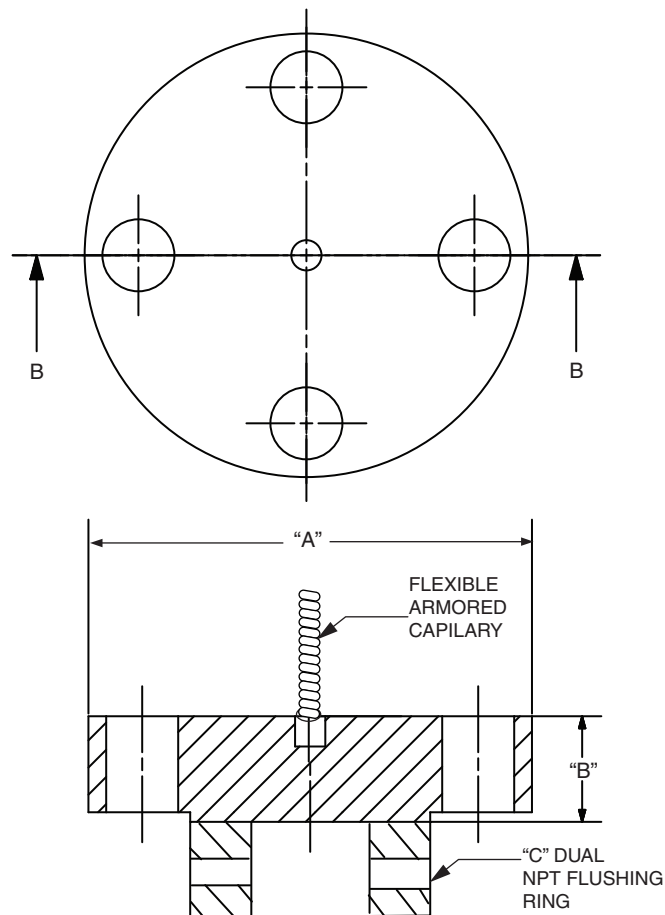


## Flanged Flush Mounted Remote Seals Model PSFFR For use with I/A Series Pressure Transmitters

FLANGE RATING AND MATERIAL MODEL SELECTIONS CODES E, F, G, AND H (316 SS)



SECTION B - B

### NOTES

1. Flexible Armor available lengths from 5 ft (1.5 m) to 50 ft (15.0 m)
2. See Tables 1 and 2 on next page for dimensions "A", "B", and "C"
3. 4-Hole Bolt Configuration shown see Bolt Hole Configuration on Page 4.

For dimensional information specific to your sales order, contact your sales representative to order a Certified Dimensional Print (CDP).

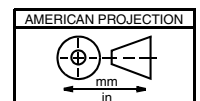


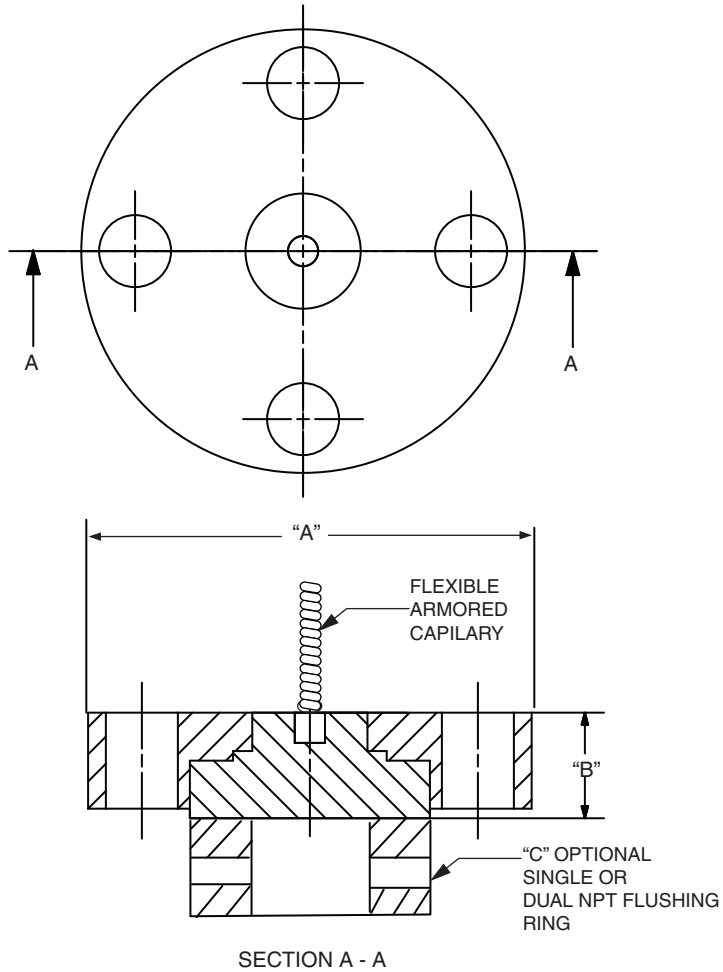
Table 1. Dimensional Data Model Selections Codes E, F, G, and H (316 ss)

Nominal Flange Size	Flange Pressure Rating	Diaphragm Diameter	Number of Bolt Holes	Bolt Hole Dia.	Bolt Circle Dia.	Dim A	Dim. B
2 in (50 mm)	Class 150	2.4	4	<u>19</u> 0.75	<u>121</u> 4.75	<u>152</u> 6.0	<u>19</u> 0.75
	Class 300		8	<u>19</u> 0.75	<u>127</u> 5.00	<u>165</u> 6.50	<u>22</u> 0.88
	Class 600		8	<u>19</u> 0.75	<u>127</u> 5.00	<u>165</u> 6.50	<u>31.75</u> 1.25
3 in (80 mm)	Class 150	3.5	4	<u>19</u> 0.75	<u>152</u> 6.00	<u>190.5</u> 7.50	<u>23.87</u> 0.94
	Class 300		8	<u>22</u> 0.88	<u>168</u> 6.62	<u>209.55</u> 8.25	<u>28.45</u> 1.12
	Class 600		8	<u>22</u> 0.88	<u>168</u> 6.62	<u>209.55</u> 8.25	<u>38</u> 1.50
4 in (100 mm)	Class 150	3.5	8	<u>19</u> 0.75	<u>190.5</u> 7.50	<u>228.6</u> 9.0	<u>23.87</u> 0.94
	Class 300		8	<u>22</u> 0.88	<u>200</u> 7.88	<u>254</u> 10.0	<u>31.75</u> 1.25
	Class 600		8	<u>25</u> 1.00	<u>216</u> 8.50	<u>273</u> 10.75	<u>44.45</u> 1.75
DN50 (50 mm)	PN 10/40	2.4	4	<u>18</u> 0.71	<u>125</u> 4.92	<u>165</u> 6.50	<u>19.81</u> 0.78
DN80 (80 mm)	PN 10/40	3.5	8	<u>18</u> 0.71	<u>160</u> 6.30	<u>199.89</u> 7.87	<u>23.87</u> 0.94
DN100 (100 mm)	PN 10/40	3.5	8	<u>22</u> 0.87	<u>190</u> 7.48	<u>234.95</u> 9.25	<u>23.87</u> 0.94

Table 2. Optional Flushing Ring Dimension "C"

Raised Face Flange	Material	NPT Flushing Connections	Dim. C (Flushing Ring)		
			I.D.	O.D.	Height
2 in (50 mm)	316 ss	1/4 NPT	<u>52.58</u>	<u>92</u>	<u>25.0</u>
	Hastelloy C	1/4 NPT	2.07	3.62	1.00
	316 ss	1/2 NPT	<u>52.58</u>	<u>92</u>	<u>38.1</u>
	Hastelloy C	1/2 NPT	2.07	3.62	1.50
	316 ss	1/4 NPT (Dual)	<u>52.58</u>	<u>92</u>	<u>25.0</u>
	Hastelloy C	1/4 NPT (Dual)	2.07	3.62	1.00
	316 ss	1/2 NPT (Dual)	<u>52.58</u>	<u>92</u>	<u>38.1</u>
	Hastelloy C	1/2 NPT (Dual)	2.07	3.62	1.50
3 in (80 mm)	316 ss	1/4 NPT	<u>76.2</u>	<u>127</u>	<u>25.0</u>
	Hastelloy C	1/4 NPT	3.0	5.0	1.00
	316 ss	1/2 NPT	<u>76.2</u>	<u>127</u>	<u>38.1</u>
	Hastelloy C	1/2 NPT	3.0	5.0	1.50
	316 ss	1/4 NPT (Dual)	<u>76.2</u>	<u>127</u>	<u>25.0</u>
	Hastelloy C	1/4 NPT (Dual)	3.0	5.0	1.00
	316 ss	1/2 NPT (Dual)	<u>76.2</u>	<u>127</u>	<u>38.1</u>
	Hastelloy C	1/2 NPT (Dual)	3.0	5.0	1.50
4 in (100 mm)	316 ss	1/4 NPT	<u>102.3</u>	<u>157</u>	<u>25.0</u>
	Hastelloy C	1/4 NPT	4.03	6.19	1.00
	316 ss	1/2 NPT	<u>102.3</u>	<u>157</u>	<u>38.1</u>
	Hastelloy C	1/2 NPT	4.03	6.19	1.50
	316 ss	1/4 NPT (Dual)	<u>102.3</u>	<u>157</u>	<u>25.0</u>
	Hastelloy C	1/4 NPT (Dual)	4.03	6.19	1.00
	316 ss	1/2 NPT (Dual)	<u>102.3</u>	<u>157</u>	<u>38.1</u>
	Hastelloy C	1/2 NPT (Dual)	4.03	6.19	1.50

FLANGE RATING AND MATERIAL MODEL SELECTIONS CODES 1, 2, 3, AND A (CARBON STEEL)



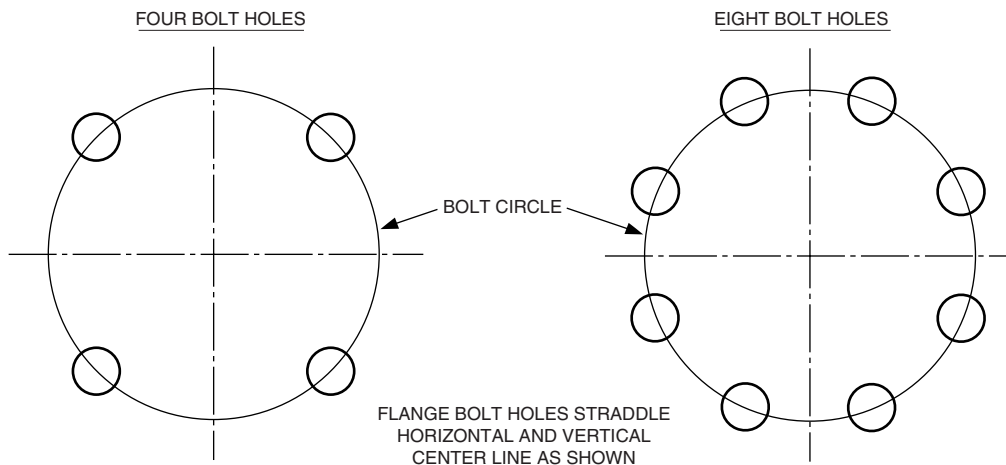
NOTES

1. Flexible Armor available lengths from 5 ft (1.5 m) to 50 ft (15.0 m)
2. See Table 3 on next page for dimensions "A", "B", and Table 2 for dimension "C"
3. 4-Hole Bolt Configuration shown see Bolt Hole Configuration on Page 4

Table 3. Dimensional Data Model Selections Codes 1, 2, 3, and A (Carbon Steel)

Nominal Flange Size	Flange Pressure Rating	Diaphragm Diameter	Number of Bolt Holes	Bolt Hole Dia.	Bolt Circle Dia.	Dim A	Dim. B
2 in (50 mm)	Class 150	2.4	4	<u>19</u> 0.75	<u>121</u> 4.75	<u>152</u> 6.0	<u>30.23</u> 1.19
	Class 300		8	<u>19</u> 0.75	<u>127</u> 5.00	<u>165</u> 6.50	<u>33.53</u> 1.32
	Class 600		8	<u>19</u> 0.75	<u>127</u> 5.00	<u>165</u> 6.50	<u>38.1</u> 1.50
3 in (80 mm)	Class 150	3.5	4	<u>19</u> 0.75	<u>152</u> 6.00	<u>190.5</u> 7.50	<u>24.64</u> 0.97
	Class 300		8	<u>22</u> 0.88	<u>168</u> 6.62	<u>209.55</u> 8.25	<u>29.21</u> 1.15
	Class 600		8	<u>22</u> 0.88	<u>168</u> 6.62	<u>209.55</u> 8.25	<u>38</u> 1.50
4 in (100 mm)	Class 150	3.5	8	<u>19</u> 0.75	<u>190.5</u> 7.50	<u>228.6</u> 9.0	<u>35.05</u> 1.38
	Class 300		8	<u>22</u> 0.88	<u>200</u> 7.88	<u>254</u> 10.0	<u>42.93</u> 1.69
	Class 600		8	<u>25</u> 1.00	<u>216</u> 8.50	<u>273</u> 10.75	<u>50</u> 2.00
DN50 (50 mm)	PN 10/40	2.4	4	<u>18</u> 0.71	<u>125</u> 4.92	<u>165</u> 6.50	<u>32.51</u> 1.28
DN80 (80 mm)	PN 10/40	3.5	8	<u>18</u> 0.71	<u>160</u> 6.30	<u>199.89</u> 7.87	<u>33.53</u> 1.32
DN100 (100 mm)	PN 10/40	3.5	8	<u>22</u> 0.87	<u>190</u> 7.48	<u>234.95</u> 9.25	<u>33.53</u> 1.32

FLANGE BOLT HOLE CONFIGURATIONS





Invensys Systems, Inc.  
38 Neponset Avenue  
Foxboro, MA 02035  
United States of America  
<http://www.fielddevices.foxboro.com>

Global Customer Support  
Inside U.S.: 1-866-746-6477  
Outside U.S.: 1-508-549-2424  
Website: <http://support.ips.invensys.com>

Copyright 2012-2016 Invensys Systems, Inc.  
All rights reserved.

Invensys, Foxboro, and I/A Series are trademarks of  
Invensys Limited, its subsidiaries, and affiliates. All other  
trademarks are the property of their respective owners.

Invensys is now part of Schneider Electric.