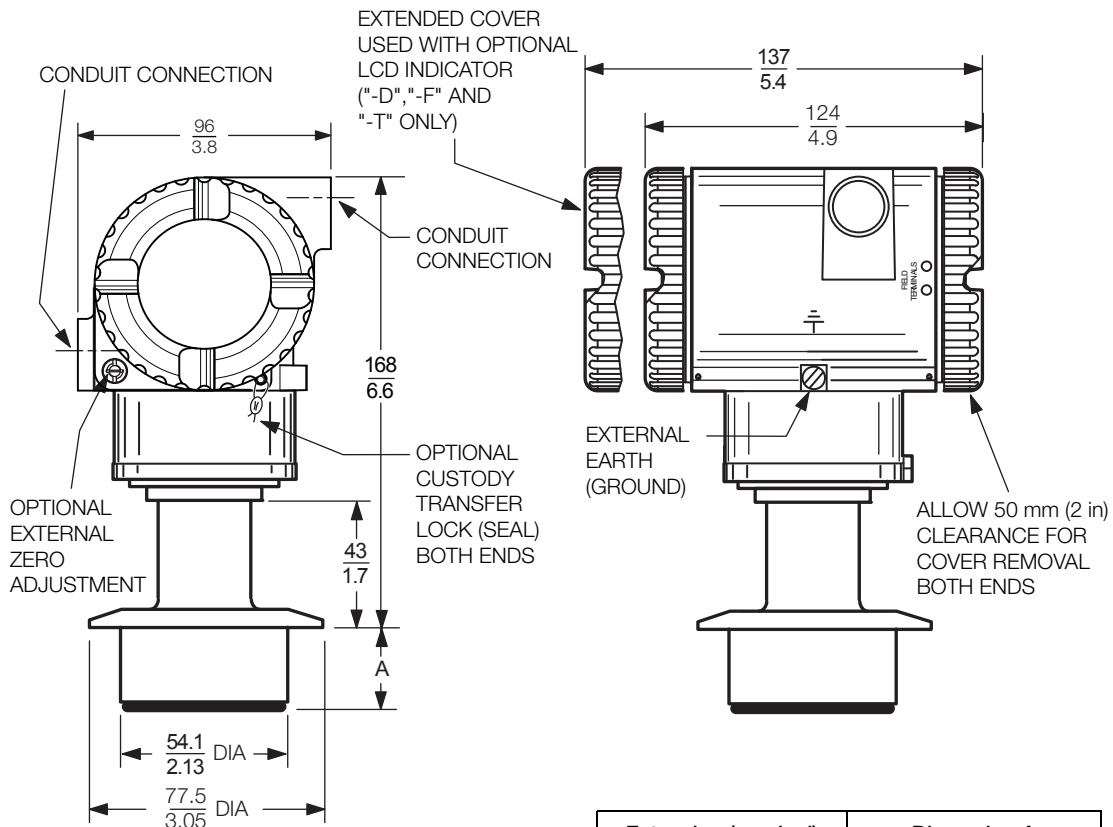


I/A Series[®] Sanitary Gauge or Absolute Pressure Transmitters with Mini Tank Spud Seal

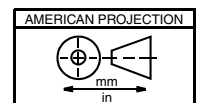
GENERAL NOTES COMMON TO ELECTRONICS HOUSING (TOPWORKS) OF ALL TRANSMITTERS

1. REPLACEABLE/INTERCHANGEABLE ELECTRONICS MODULE DETERMINES THE ELECTRONICS VERSION AND OUTPUT SIGNAL.
2. TOPWORKS CAN BE ROTATED TO ANY POSITION WITHIN ONE TURN COUNTERCLOCKWISE OF THE FULLY TIGHTENED POSITION.
3. CONDUIT CONNECTIONS (TWO) ARE 1/2 NPT OR PG 13.5. PLUG UNUSED CONNECTION WITH METAL PLUG SUPPLIED BY FOXBORO.
4. PROCESS CONNECTION IS 2 1/2-inch Tri-Clamp.



Extension (nominal)	Dimension A
1 1/2 inch	38.1 mm (1.50 in)
6 inch	152.4 mm (6.00 in)
9 inch	228.6 mm (9.00 in)

For dimensional information specific to your sales order, contact your sales representative to order a Certified Dimensional Print (CDP).

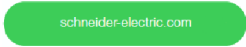


Foxboro[®]

by **Schneider Electric**



Invensys Systems, Inc.
10900 Equity Drive
Houston, TX 77041
United States of America



Global Customer Support
Inside U.S.: 1-866-746-6477
Outside U.S.: 1-508-549-2424
Website: <http://support.ips.invensys.com>

Copyright 2003-2015 Invensys Systems, Inc.
All rights reserved.

Invensys, Foxboro, and I/A Series are trademarks of
Invensys Limited, its subsidiaries, and affiliates. All other
trademarks are the property of their respective owners.

Invensys is now part of Schneider Electric.