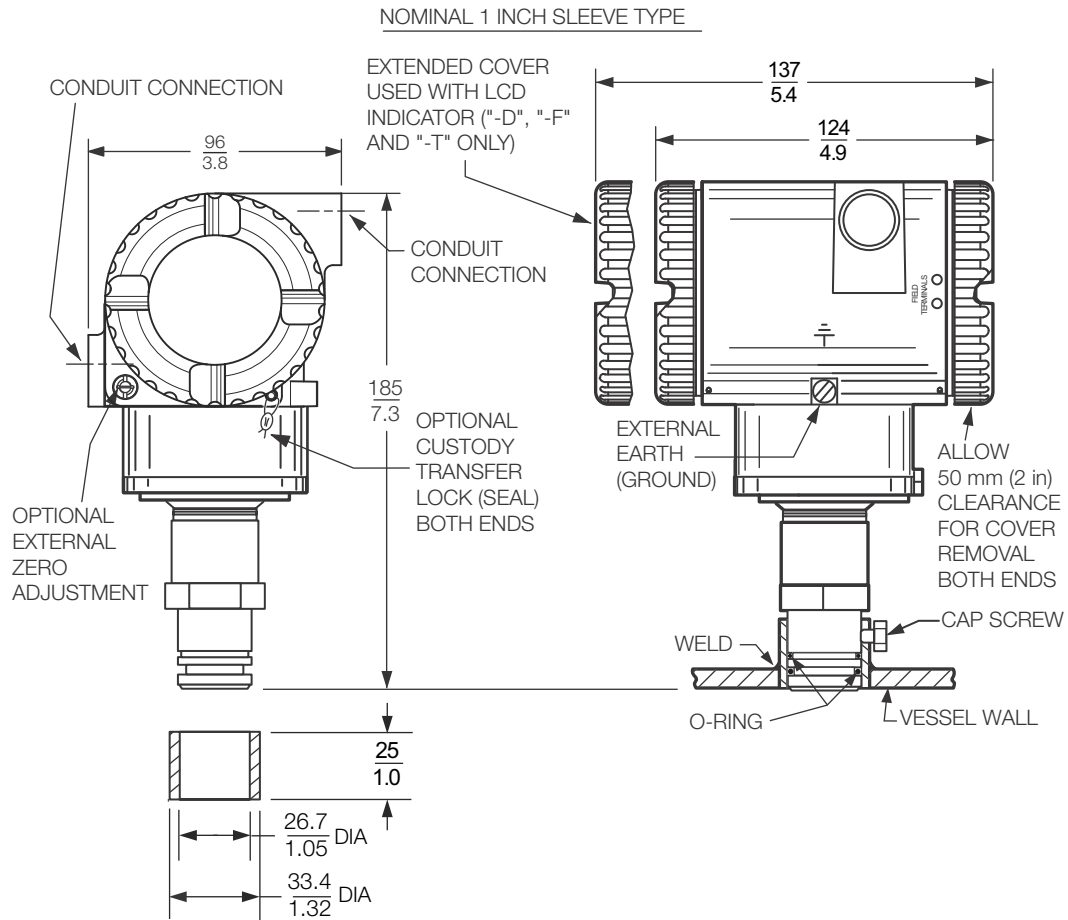
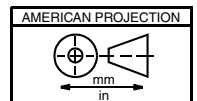


I/A Series[®] Gauge and Absolute Pressure Transmitters With Pulp and Paper Process Connections



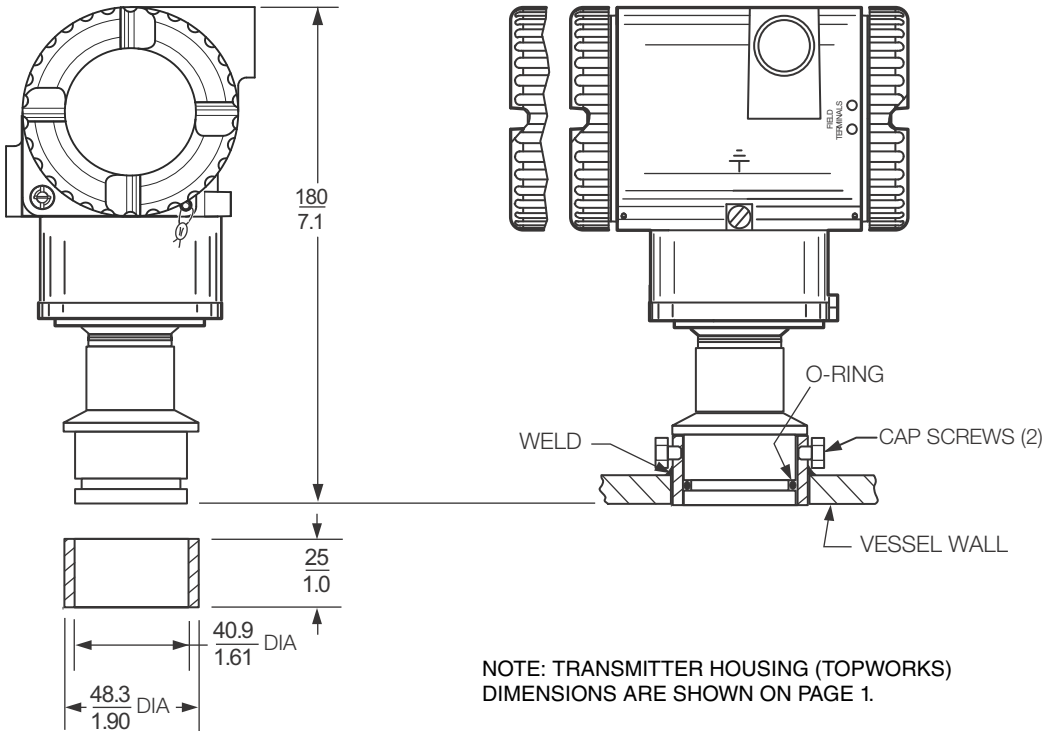
For dimensional information specific to your sales order, contact your sales representative to order a Certified Dimensional Print (CDP).



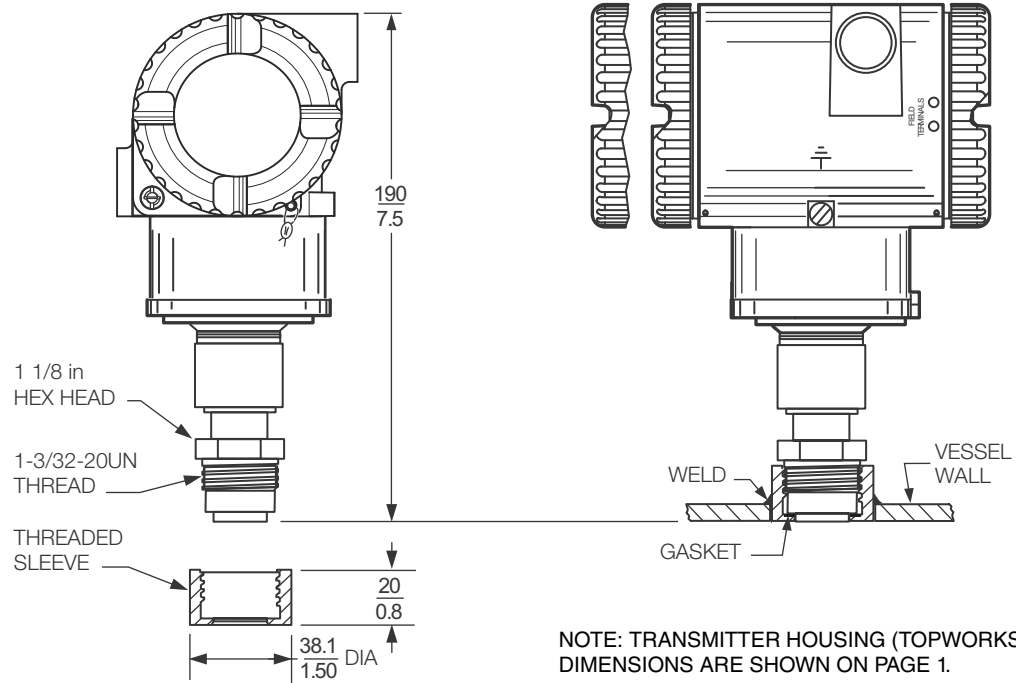
Foxboro[®]

by **Schneider Electric**

NOMINAL 1 1/2 INCH SLEEVE TYPE

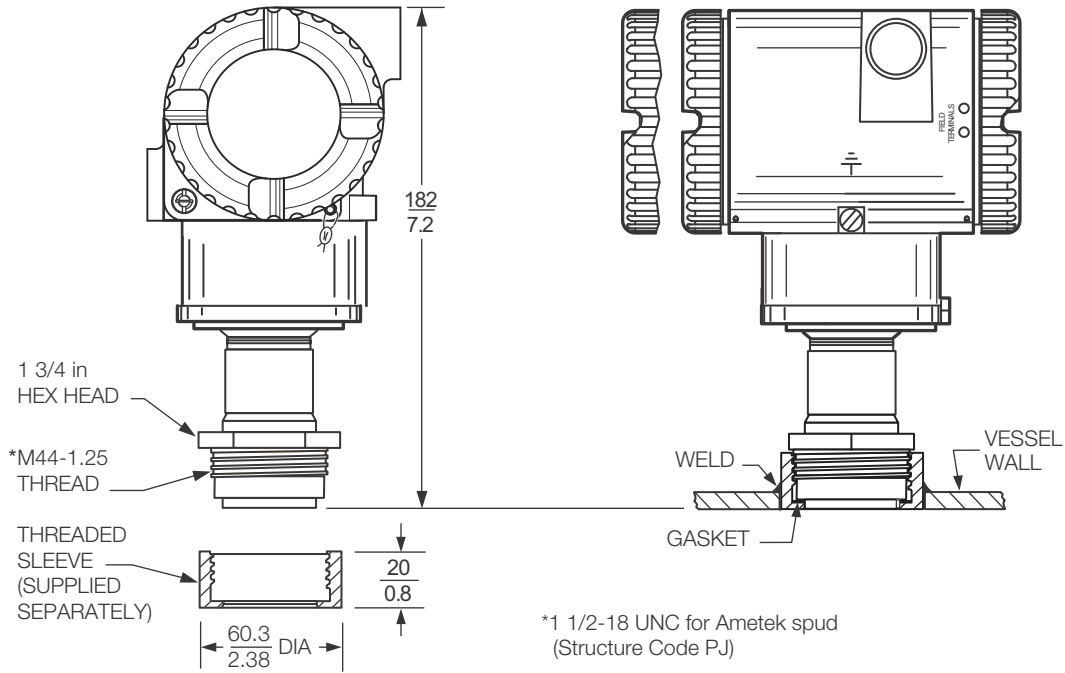


NOMINAL 1 INCH THREADED TYPE



NOTE: TRANSMITTER HOUSING (TOPWORKS) DIMENSIONS ARE SHOWN ON PAGE 1.

NOMINAL 1 1/2 INCH THREADED TYPE



NOTE: TRANSMITTER HOUSING (TOPWORKS) DIMENSIONS ARE SHOWN ON PAGE 1.