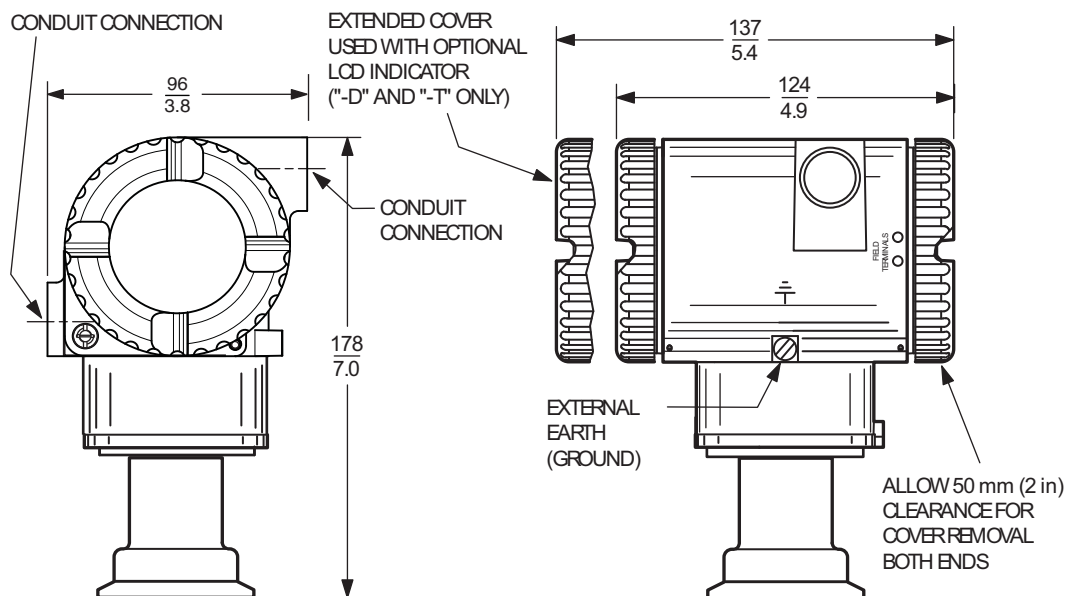


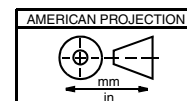
I/A Series[®] Sanitary Gauge or Absolute Pressure/Level Transmitters with 2-inch Tri-Clamp Process Connection Part Numbers N1212BA, BC, BF, BH, BL, BN, BS, BV, BY, DG, DH, DJ, DK, DL, DM GX, GY, and GZ

GENERAL NOTES COMMON TO ELECTRONICS HOUSING (TOPWORKS) OF ALL TRANSMITTERS

1. REPLACEABLE/INTERCHANGEABLE ELECTRONICS MODULE DETERMINES THE ELECTRONICS VERSION AND OUTPUT SIGNAL.
2. TOPWORKS CAN BE ROTATED TO ANY POSITION WITHIN ONE TURN COUNTERCLOCKWISE OF THE FULLY TIGHTENED POSITION.
3. CONDUIT CONNECTIONS (TWO) ARE 1/2 NPT ON N1212BA, BC, BF, BH, BL, BN, DG, DH, DJ, DK, DL, DM, GX, GY, AND GZ; AND M20 ON N1212BS, BV, AND BY. PLUG UNUSED CONNECTION WITH METAL PLUG SUPPLIED BY FOXBORO.



For dimensional information specific to your sales order, contact your sales representative to order a Certified Dimensional Print (CDP).

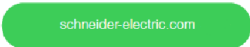


Foxboro[®]

by Schneider Electric



Invensys Systems, Inc.
10900 Equity Drive
Houston, TX 77041
United States of America



Global Customer Support
Inside U.S.: 1-866-746-6477
Outside U.S.: 1-508-549-2424
Website: <http://support.ips.invensys.com>

Copyright 1999-2015 Invensys Systems, Inc.
All rights reserved.

Invensys, Foxboro, and I/A Series are trademarks of
Invensys Limited, its subsidiaries, and affiliates. All other
trademarks are the property of their respective owners.

Invensys is now part of Schneider Electric.