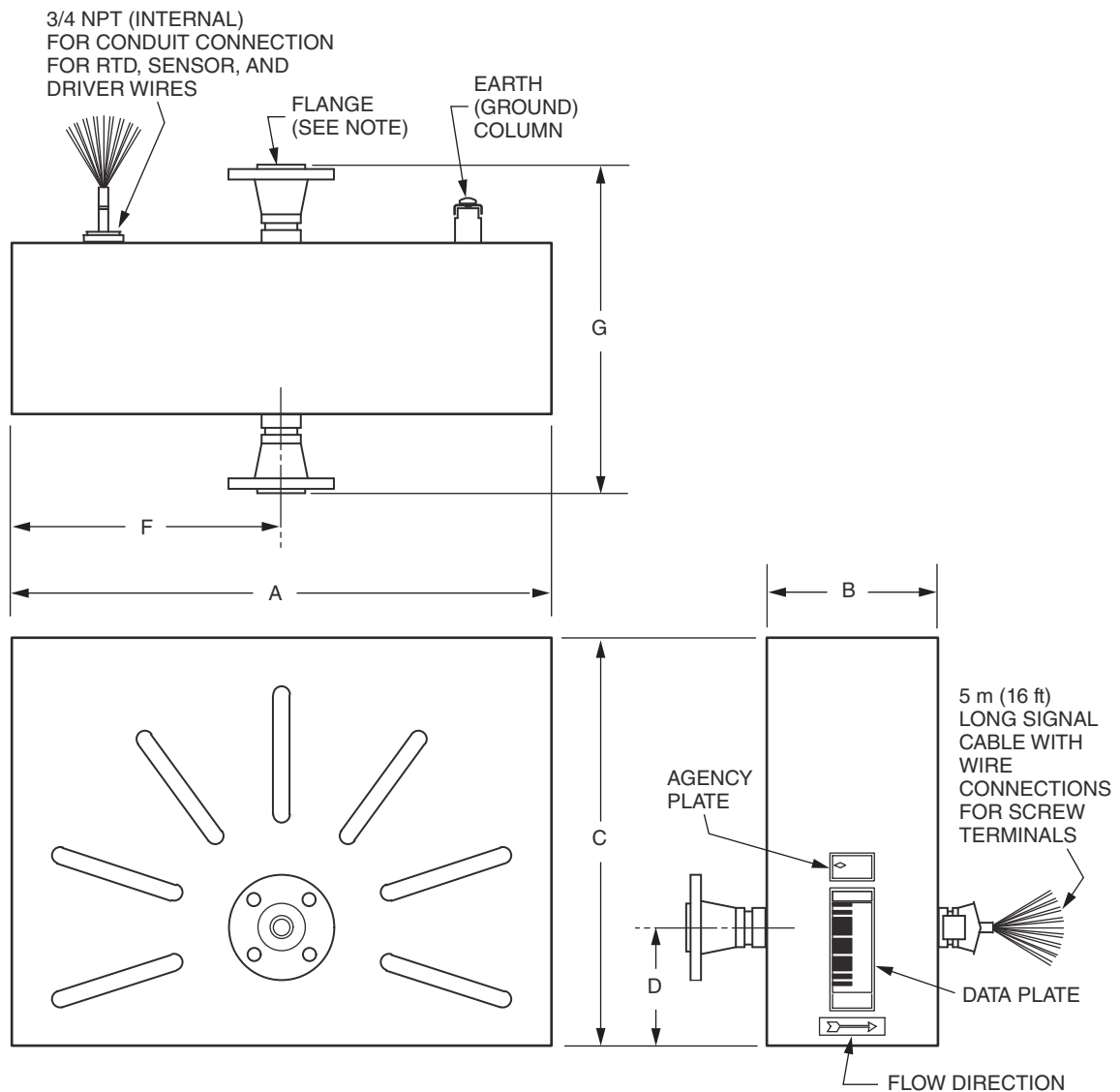


# I/A Series<sup>®</sup> Mass Flowmeters

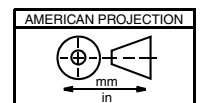
## Model CFS10 Mass Flowtubes

6 to 50 mm (1/4 to 2 in) Sizes  
Style A

FLOWTUBES WITH FLANGED END CONNECTIONS



For dimensional information specific to your sales order, contact your sales representative to order a Certified Dimensional Print (CDP).



**Foxboro**<sup>®</sup>

by **Schneider** Electric

**FLOWTUBE DIMENSIONS AND MASS**

Nominal Flowtube Size	Dimension A	Dimension B	Dimension C	Dimension D	Dimension E	Approximate Mass (a)	
						kg	lb
6 mm (1/4 in)	$\frac{411}{16.2}$	$\frac{160}{6.3}$	$\frac{231}{9.1}$	$\frac{29.5}{1.16}$	$\frac{206}{8.1}$	9.6	21.0
15 mm (1/2 in)	$\frac{417}{16.4}$	$\frac{122}{4.8}$	$\frac{277}{10.9}$	$\frac{84.1}{3.31}$	$\frac{208}{8.2}$	11.5	25.5
20 mm (3/4 in)	$\frac{518}{20.4}$	$\frac{163}{6.4}$	$\frac{391}{15.4}$	$\frac{121.4}{4.78}$	$\frac{259}{10.2}$	18.5	40.5
25 mm (1 in)	$\frac{518}{20.4}$	$\frac{163}{6.4}$	$\frac{391}{15.4}$	$\frac{121.4}{4.78}$	$\frac{259}{10.2}$	22.5	49.5
40 mm (1 1/2 in)	$\frac{704}{27.7}$	$\frac{241}{9.5}$	$\frac{457}{18.4}$	$\frac{130}{5.1}$	$\frac{353}{13.9}$	53.4	118
50 mm (2 in)	$\frac{808}{31.8}$	$\frac{282}{11.1}$	$\frac{516}{20.3}$	$\frac{149.9}{5.90}$	$\frac{404}{15.9}$	77.6	171

a. With ANSI Class 150 flange.

**RAISED FACE-TO-RAISED FACE DIMENSIONS FOR ANSI AND DIN FLANGES**

Nominal Flowtube Size	Dimension G for Flange Type:				
	ANSI Class 150	ANSI Class 300	ANSI Class 600	PN 40	PN 100
6 mm (1/4 in)	$\frac{265.7}{10.46}$	$\frac{265.7}{10.46}$	$\frac{265.7}{10.46}$	$\frac{265.7}{10.46}$	$\frac{265.7}{10.46}$
15 mm (1/2 in)	$\frac{240}{9.46}$	$\frac{249}{9.82}$	$\frac{262}{10.32}$	$\frac{262}{10.30}$	$\frac{265}{10.42}$
20 mm (3/4 in)	$\frac{292}{11.48}$	$\frac{301}{11.86}$	$\frac{314}{12.36}$	$\frac{306}{12.04}$	$\frac{314}{12.36}$
25 mm (1 in)	$\frac{294}{11.56}$	$\frac{306}{12.06}$	$\frac{319}{12.56}$	$\frac{301}{11.86}$	$\frac{320}{12.58}$
40 mm (1 1/2 in)	$\frac{396}{15.58}$	$\frac{408}{16.08}$	$\frac{411}{16.20}$	$\frac{408}{16.08}$	$\frac{411}{16.20}$
50 mm (2 in)	$\frac{436}{17.16}$	$\frac{449}{17.66}$	$\frac{468}{18.42}$	$\frac{437}{17.22}$	$\frac{445}{17.52}$

---

See page 4 for threaded and sanitary end connections.

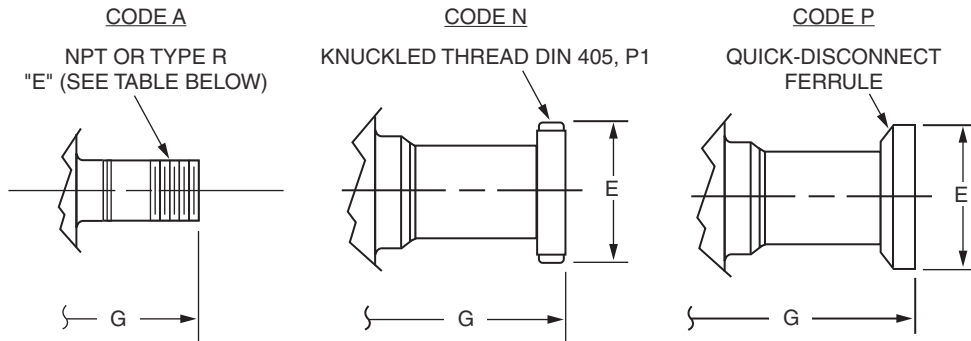
---

BOLT HOLE QUANTITY AND BOLT DIAMETER FOR ANSI AND DIN FLANGES

Nominal Flowtube Size	ANSI 150		ANSI 300		ANSI 600		PN 40		PN 100	
	Bolt Holes	Bolt Dia.	Bolt Holes	Bolt Dia.	Bolt Holes	Bolt Dia.	Bolt Holes	Bolt Dia.	Bolt Holes	Bolt Dia.
6 mm (a) (1/4 in)	4	1/2 in	4	1/2 in	4	1/2 in	4	M12	4	M12
15 mm (1/2 in)	4	1/2 in	4	1/2 in	4	1/2 in	4	M12	4	M12
20 mm (3/4 in)	4	1/2 in	4	5/8 in	4	5/8 in	4	M12	4	M16
25 mm (1 in)	4	1/2 in	4	5/8 in	4	5/8 in	4	M12	4	M16
40 mm (1 1/2 in)	4	1/2 in	4	3/4 in	4	3/4 in	4	M12	4	M18
50 mm (2 in)	4	5/8 in	8	5/8 in	8	5/8 in	4	M16	4	M24

a. Uses 15 mm (1/2 in) flanges.

**THREADED AND SANITARY END CONNECTIONS**



Nominal Flowtube Size	Dimensions E and G for End Connection Codes (a)						Approximate Mass	
	Code A		Code N		Code P (b)			
	G	E	G	E	G	E	kg	lb
6 mm (1/4 in)	224 8.8	1/4 NPT	NOT APPLICABLE		274 10.8	24.9 0.98	8.8	19.4
15 mm (1/2 in)	211 8.3	1/2 NPT	284 11.2	52.1 2.05	249 9.8	50.3 1.98	10.4	22.9
20 mm (3/4 in)	259 10.2	3/4 NPT	290.3 11.43	52.1 2.05	290.3 11.43	50.3 1.98	16.7	36.8
25 mm (1 in)	NOT APPLICABLE		320 12.6	52 2.0	287 11.3	50.3 1.98	20.3	44.8
40 mm (1 1/2 in)	NOT APPLICABLE		427 16.8	65 2.56	386 15.2	50.3 1.98	49.9	110
50 mm (2 in)	NOT APPLICABLE		457 18.0	78 3.1	414 16.3	64 2.5	71.2	157

- a. Dimension "g" is face-to-face distance between end connections.  
Code "n" mates with din coupling w/external thread, din 11851.
- b. Flowtube size 1/4-inch mates with 1/2-inch quick-disconnect ferrule.  
Flowtube sizes 1/2, 3/4, 1, and 1 1/2-inch mate with 1-inch quick-disconnect ferrule.  
Flowtube size 2-inch mates with 2-inch quick-disconnect ferrule.