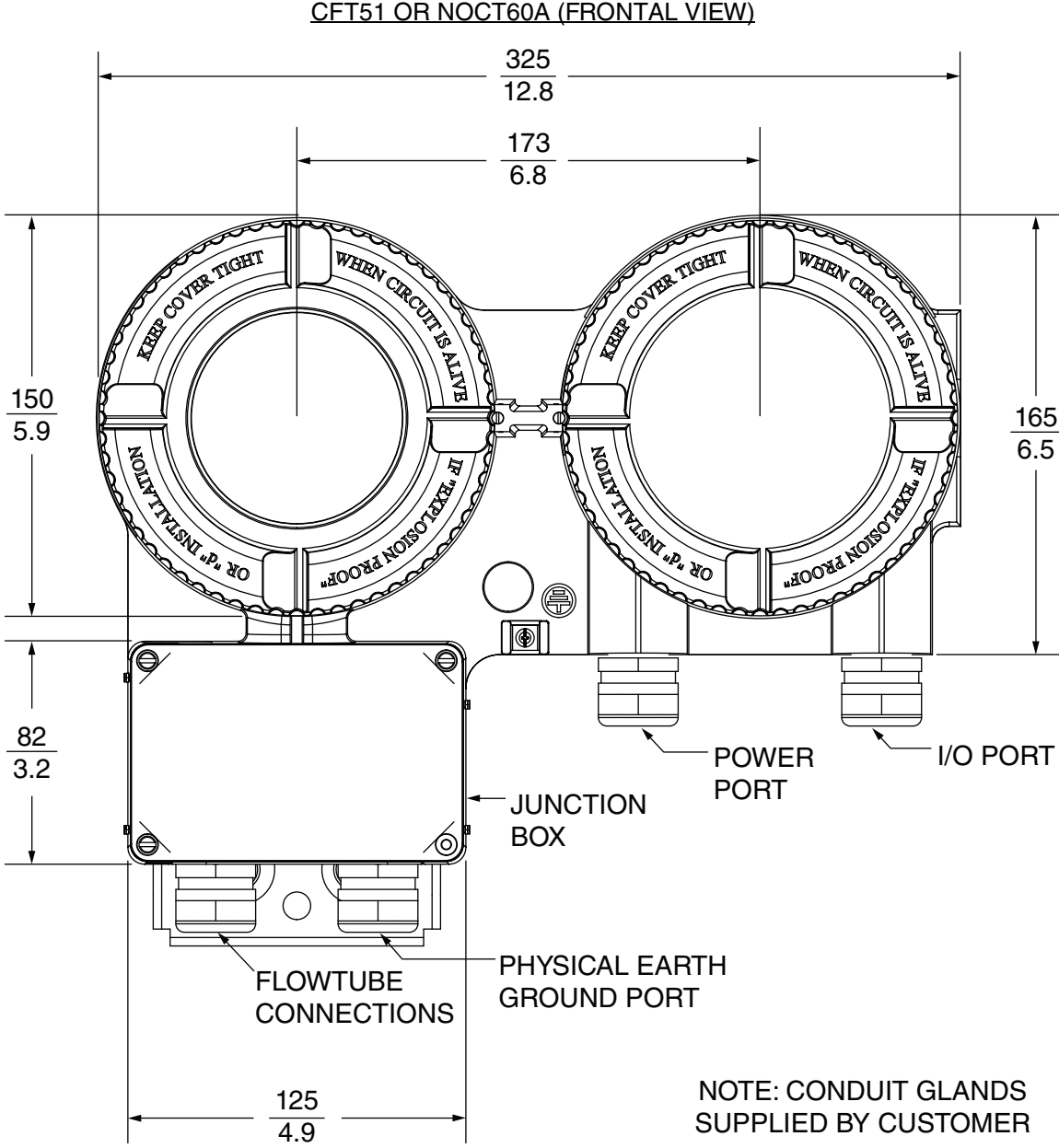
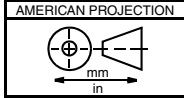


Digital Coriolis Mass Flow Transmitter Models CFT51 and NOCT60A



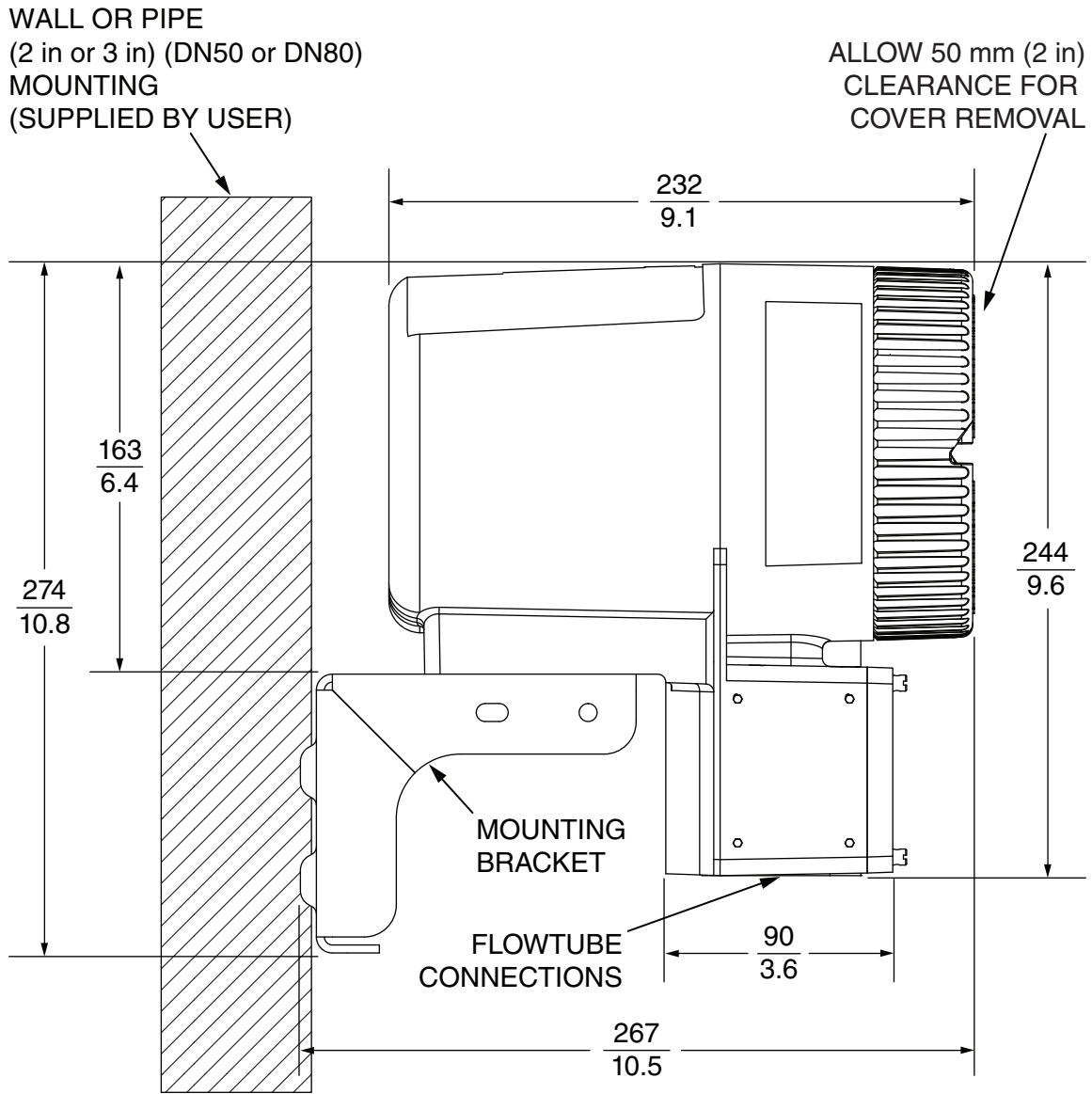
For dimensional information specific to your sales order, contact your sales representative to order a Certified Dimensional Print (CDP).



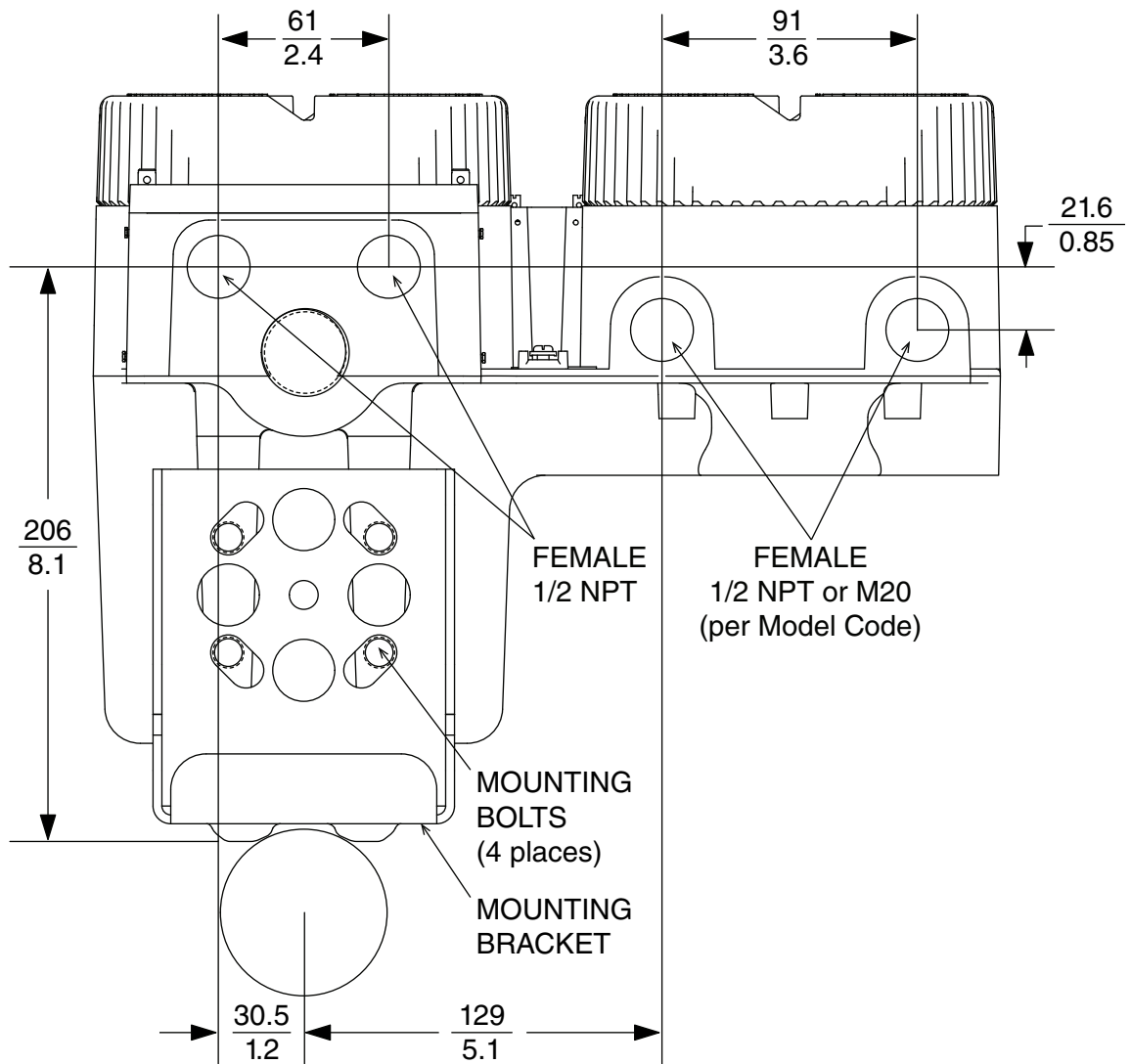
Foxboro[®]

by **Schneider** Electric

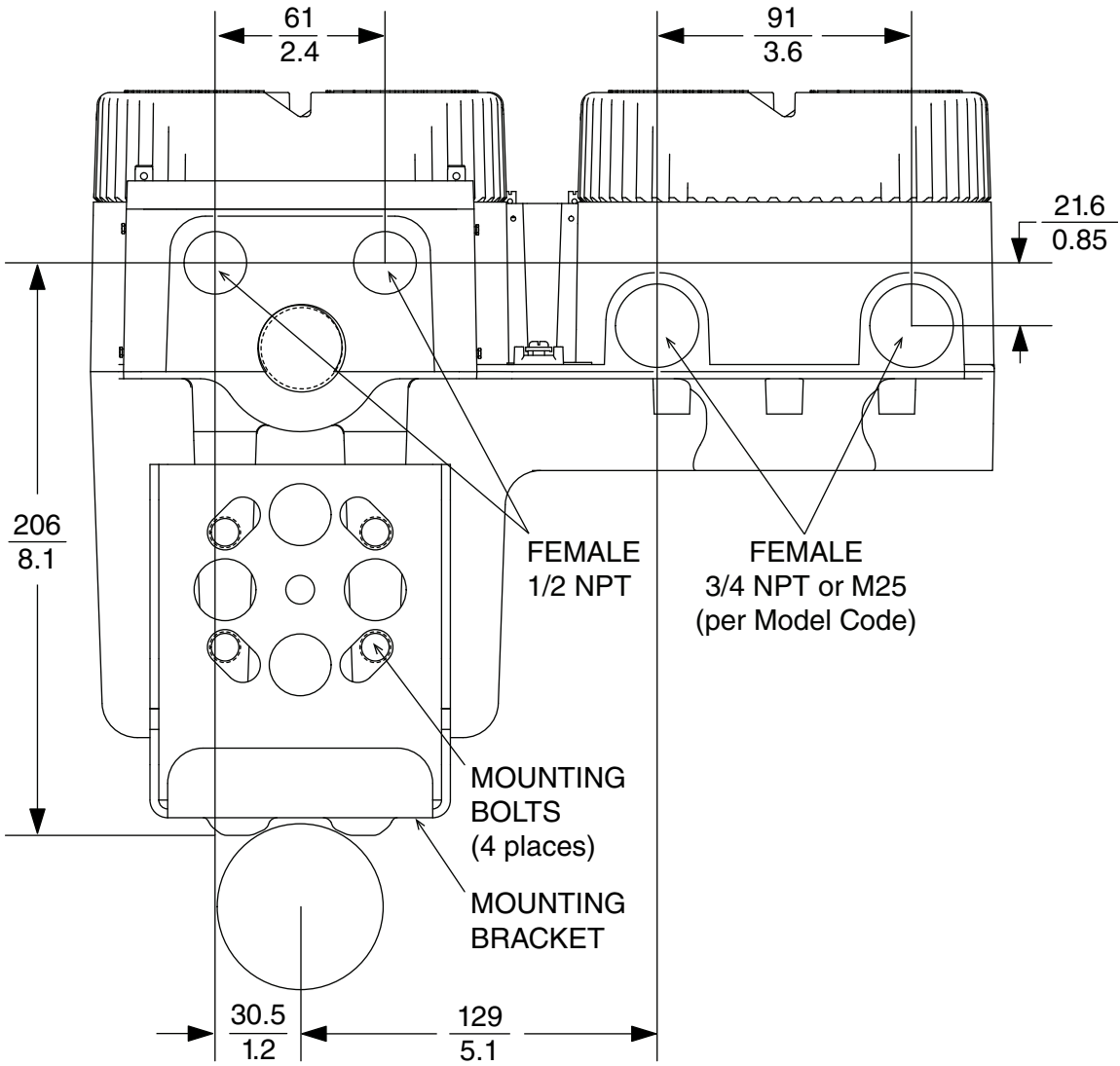
CFT51 OR NOCT60A (SIDE VIEW)

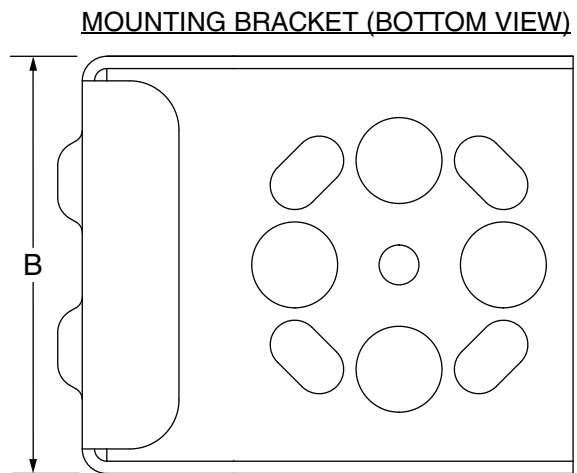
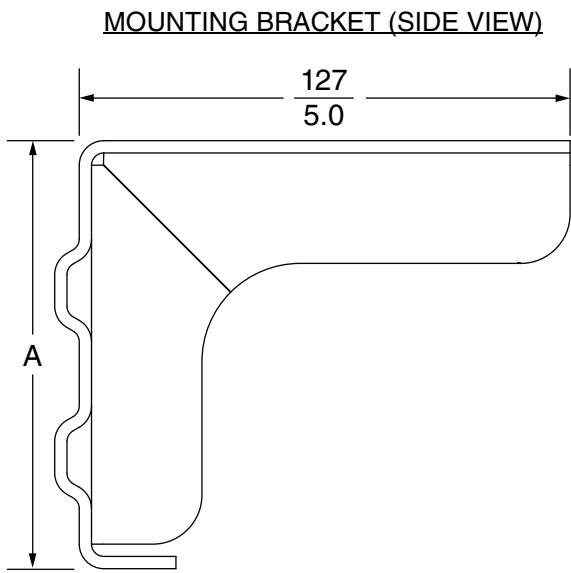


CFT51 (BOTTOM VIEW)



NOCT60A (BOTTOM VIEW)





Bracket Size	Dimension A (Height)	Dimension B (Width)
2 inches	110 mm	108 mm
	4.4 inches	4.3 inches
3 inches	135 mm	132 mm
	5.3 inches	5.2 inches



Invensys Systems, Inc.
38 Neponset Avenue
Foxboro, MA 02035
United States of America
<http://www.fielddevices.foxboro.com>

Global Customer Support
Inside U.S.: 1-866-746-6477
Outside U.S.: 1-508-549-2424
Website: <http://support.ips.invensys.com>

Copyright 2011-2015 Invensys Systems, Inc.
All rights reserved.

Invensys and Foxboro are trademarks of Invensys Limited, its subsidiaries, and affiliates. All other trademarks are the property of their respective owners.

Invensys is now part of Schneider Electric.