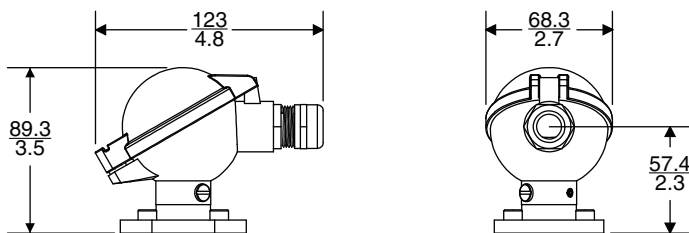


I/A Series[®] Mass Flowmeters Model CFS25 Mass Flowtubes

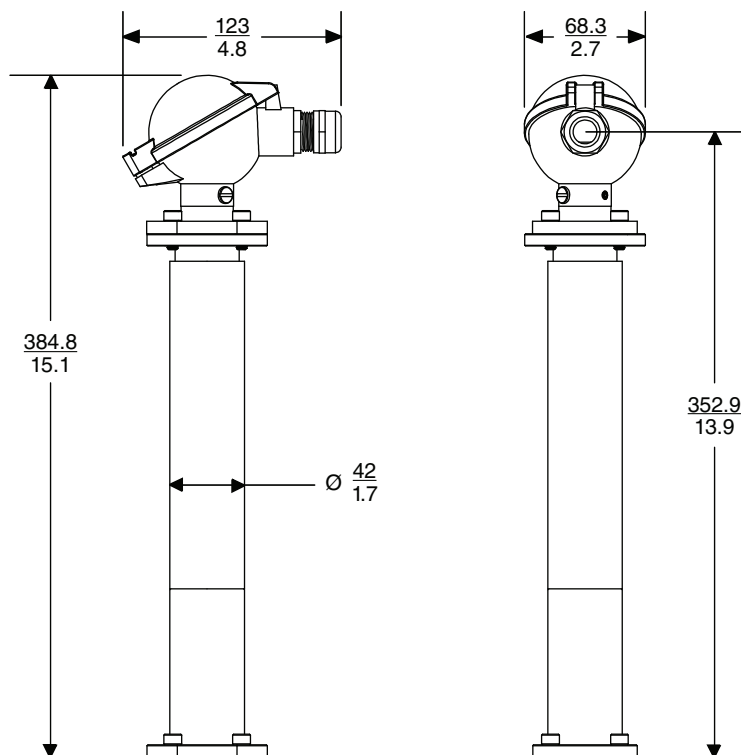
CFS25 FLOWTUBE JUNCTION BOXES

Junction box dimensions are the same for all CFS25 flowtube models. Temperature Range Option H adds 295.5 mm (11.6 inches) to the overall flowtube height.

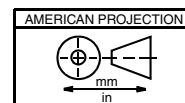
JUNCTION BOX - TEMPERATURE RANGE OPTION S (STANDARD)



JUNCTION BOX - TEMPERATURE RANGE OPTION H (HIGH)



For dimensional information specific to your sales order, contact your sales representative to order a Certified Dimensional Print (CDP).

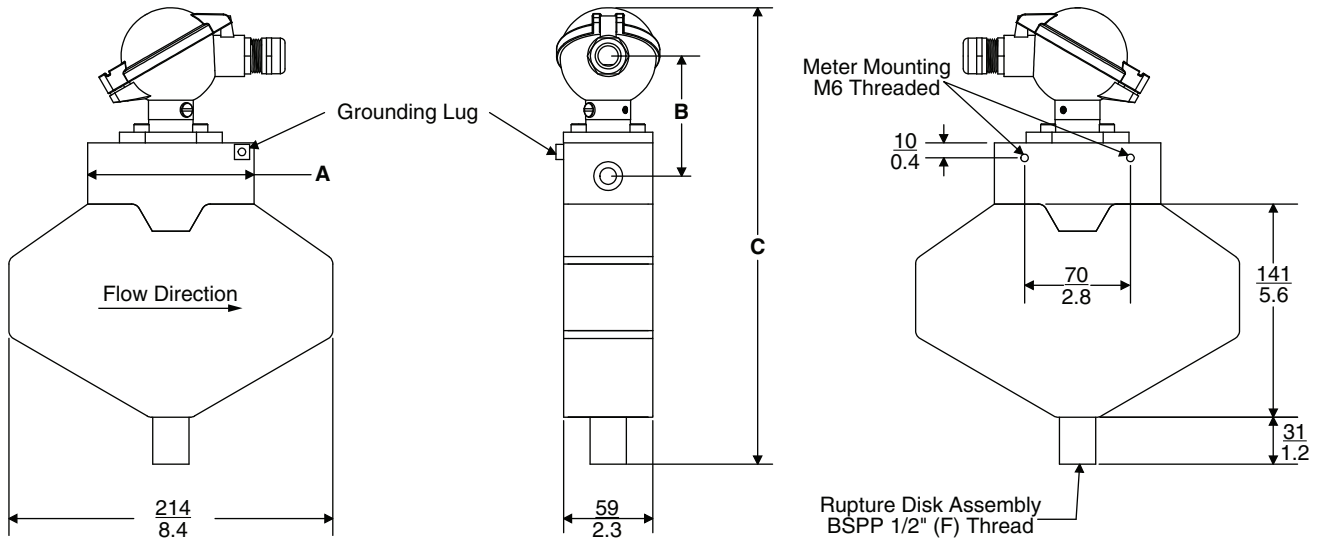


Foxboro[®]

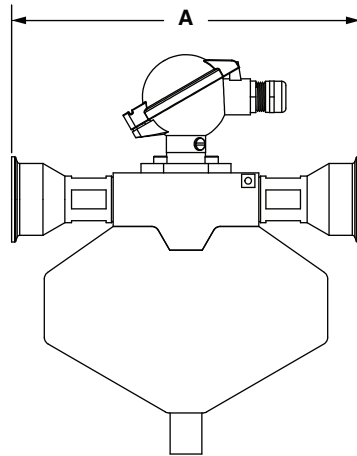
by **Schneider** Electric

CFS25-0325 AND CFS25-0650 FLOWTUBES

WITH FEMALE THREADED END CONNECTIONS



WITH TRI-CLAMP END CONNECTIONS



CFS25-0325 AND CFS25-0650 FLOWTUBES

DIMENSION A FOR CFS25-0325 AND CFS25-0650 FLOWTUBES

Dimension A (distance between end connections) is determined by the end connection type.

All Supported ANSI and DN Flanges	All Supported Tri-Clamp Flanges	All Supported BSPP and NPT Threaded Connectors
390 mm (15.4 in)	220 mm (8.7 in)	110 mm (4.3 in)

DIMENSIONS B AND C FOR CFS25-0325 AND CFS25-0650 FLOWTUBES

Dimension B is the vertical distance between the end connection and the cable gland. Dimension C is the overall height. Both dimensions are affected by the temperature range option.

Temperature Range Option	Dimension B	Dimension C
Standard (S)	79.4 mm (3.1 in)	301.8 mm (11.9 in)
High (H)	374.9 mm (14.8 in)	597.3 mm (23.5 in)

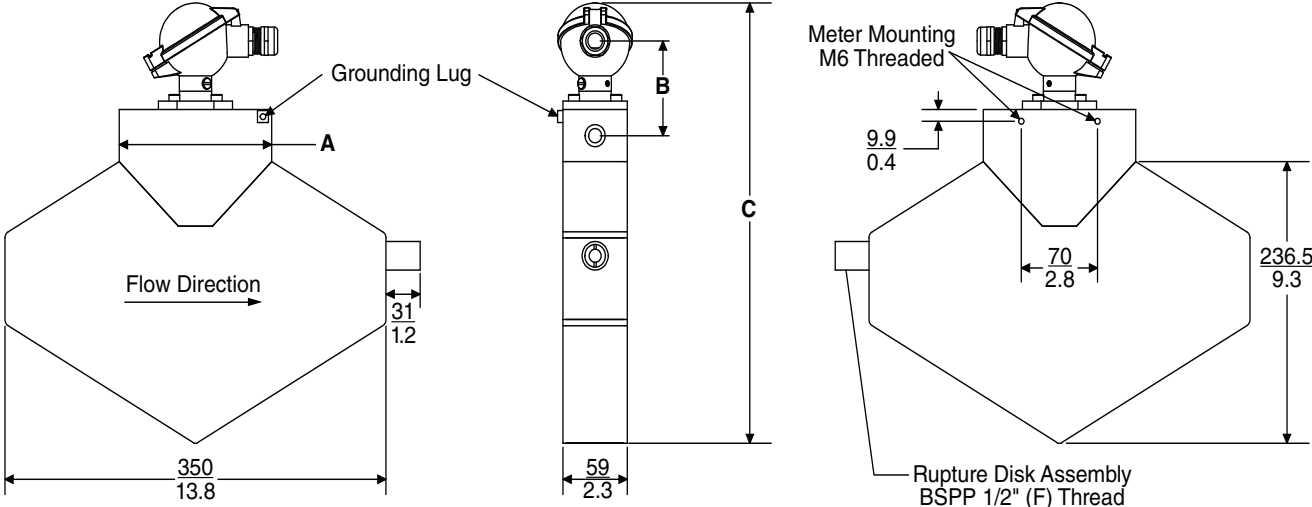
APPROXIMATE MASS OF CFS25-0325 AND CFS25-0650 FLOWTUBES

Flowtube mass includes the standard temperature junction box and specified end connections. Contact Global Customer Support for masses with the high temperature junction box or other end connections.

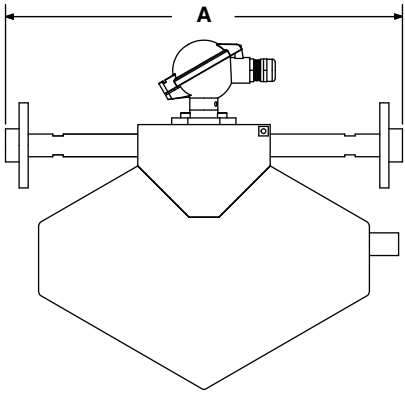
With 0.5" ANSI Flanges			
150# (AA)	300# (AB)	600# (AC)	900# (AD)
8.0 kg (17.7 lb)	8.9 kg (19.7 lb)		12.6 kg (27.7 lb)

CFS25-1550 AND CFS25-3100 FLOWTUBES

WITH FEMALE THREADED END CONNECTIONS



WITH FLANGED END CONNECTIONS



DIMENSION A FOR CFS25-1550 AND CFS25-3100 FLOWTUBES

Dimension A (distance between end connections) is determined by the end connection type.

CFS25 Model	All Supported ANSI and DN Flanges	Tri-Clamp Flanges		All Supported BSPP and NPT Threaded Connectors
		0.5" (TA)	1" (TC)	
1550	420 mm (16.5 in)	250 mm (9.8 in)	Not Available	140 mm (5.5 in)
3100	420 mm (16.5 in)	250 mm (9.8 in)	255 mm (10.0 in)	140 mm (5.5 in)

DIMENSIONS B AND C FOR CFS25-1550 AND CFS25-3100 FLOWTUBES

Dimension B is the vertical distance between the end connection and the cable gland. Dimension C is the overall height. Both dimensions are affected by the temperature range option.

Temperature Range Option	Dimension B	Dimension C
Standard (S)	79.4 mm (3.1 in)	369.6 mm (14.6 in)
High (H)	374.9 mm (14.8 in)	665.1 mm (26.2 in)

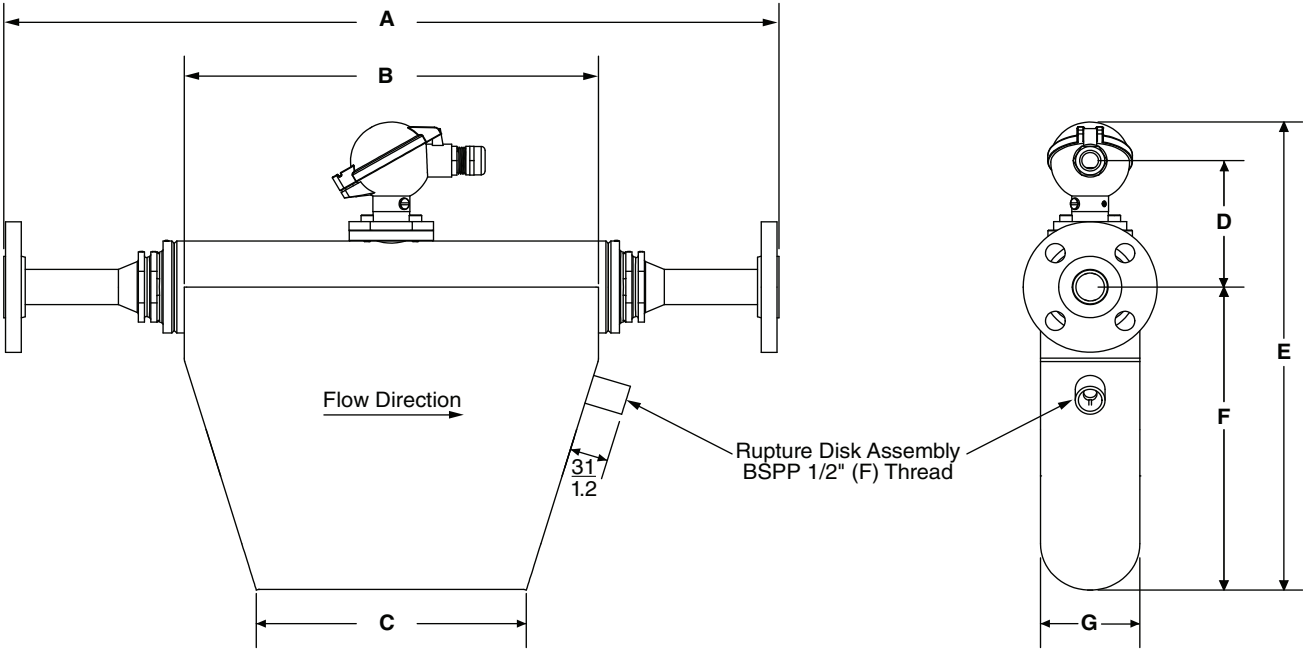
APPROXIMATE MASS OF CFS25-1550 AND CFS25-3100 FLOWTUBES

Flowtube mass includes the standard temperature junction box and specified end connections. Contact Global Customer Support for masses with the high temperature junction box or other end connections.

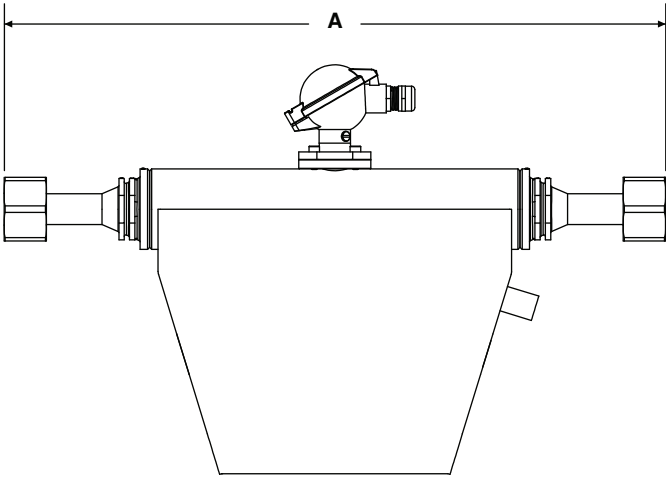
With 0.5" ANSI Flanges			
150# (AA)	300# (AB)	600# (AC)	900# (AD)
11.7 kg (25.8 lb)	12.6 kg (27.8 lb)		16.2 kg (35.8 lb)

CFS25-5500, -7900, -028K, AND -065K FLOWTUBES

WITH FLANGED END CONNECTIONS



WITH FEMALE THREADED END CONNECTIONS



CFS25-5500, -7900, -028K, AND -065K FLOWTUBES**DIMENSION A FOR CFS25-5500, -7900, -028K, AND -065K FLOWTUBES**

Dimension A (distance between end connections) is determined by the end connection type.

CFS25 Model	All Supported ANSI, DN, and Tri-Clamp Flanges	All Supported BSPP and NPT Threaded Connectors
5500 7900	460 mm (18.1 in)	460 mm (18.1 in)
028K	625 mm (24.6 in)	625 mm (24.6 in)
065K	830 mm (32.7 in)	880 mm (34.6 in)

DIMENSIONS D AND E FOR CFS25-5500, -7900, -028K, AND -065K FLOWTUBES

Dimension D is the vertical distance between the end connection and the cable gland. Dimension E is the overall height. Both dimensions are affected by the temperature range option.

CFS25 Model	Temperature Range Option	Dimension D	Dimension E
5500 or 7900	Standard (S)	94.9 mm (3.7 in)	322.8 mm (12.7 in)
	High (H)	390.4 mm (15.4 in)	618.3 mm (24.3 in)
028K	Standard (S)	104.5 mm (4.1 in)	387.0 mm (15.2 in)
	High (H)	400.0 mm (15.7 in)	682.5 mm (26.9 in)
065K	Standard (S)	132.9 mm (5.2 in)	548.9 mm (21.6 in)
	High (H)	428.4 mm (16.9 in)	844.4 mm (33.2 in)

OTHER DIMENSIONS FOR CFS25-5500, -7900, -028K, AND -065K FLOWTUBES

CFS25 Model	Dimension B	Dimension C	Dimension F	Dimension G
5500 7900	294.0 mm (11.6 in)	198.8 mm (7.8 in)	196.0 mm (7.7 in)	61.0 mm (2.4 in)
028K	334.0 mm (13.1 in)	217.6 mm (8.6 in)	250.6 mm (9.9 in)	80.1 mm (3.2 in)
065K	539.1 mm (21.2 in)	360.2 mm (14.2 in)	384.1 mm (15.1 in)	137.0 mm (5.4 in)

APPROXIMATE MASS OF CFS25-5500, -7900, -028K, AND -065K FLOWTUBES

Flowtube mass includes the standard temperature junction box and specified end connections. Contact Global Customer Support for masses with the high temperature junction box or other end connections.

CFS25 Model	With 1" ANSI Flanges				With 3" ANSI Flanges		
	150# (AE)	300# (AF)	600# (AG)	900# (AH)	150# (AN)	300# (AO)	600# (AP)
5500	6.7 kg (14.7 lb)	7.6 kg (16.7 lb)	8.5 kg (18.7 lb)	11.7 kg (25.7 lb)	Not Available		
7900	6.4 kg (14.2 lb)	7.3 kg (16.2 lb)	8.3 kg (18.2 lb)	Not Available	Not Available		
028K (316L stainless steel)	10.3 kg (22.7 lb)	11.2 kg (24.7 lb)	12.1 kg (26.7 lb)	Not Available	Not Available		
028K (Nickel alloy) (a)	Contact Global Customer Support			Not Available	Not Available		
065K	Not Available				36.5 kg (80.4 lb)	40.1 kg (88.4 lb)	42.8 kg (94.4 lb)

a. Equivalent to Hastelloy® C-22. Hastelloy is a registered trademark of Haynes International Inc.