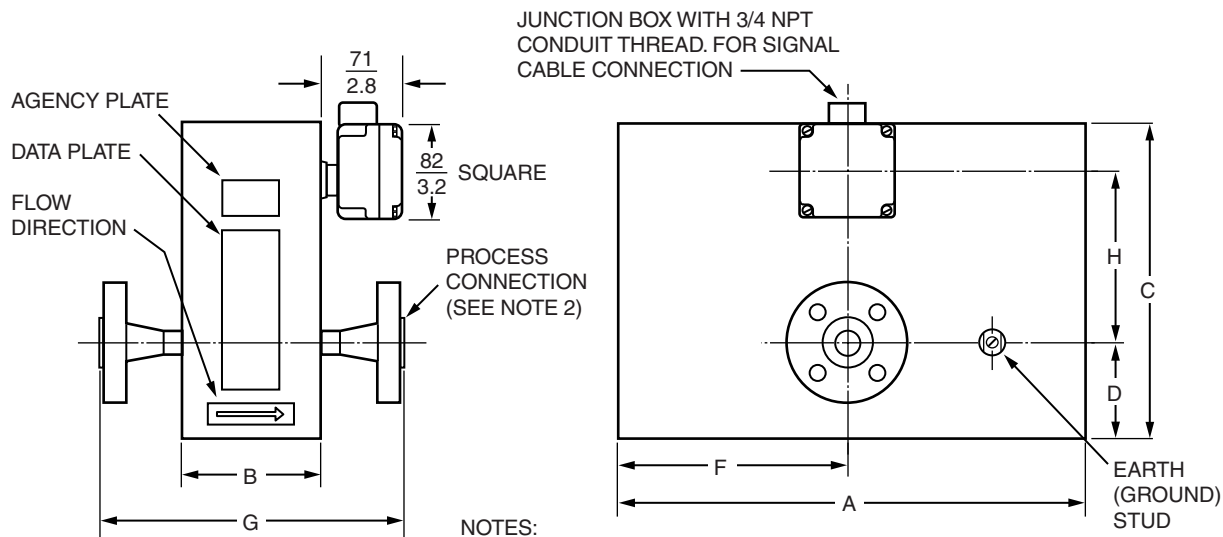


I/A Series[®] Mass Flowmeters Model CFS20 Mass Flowtubes Style B

FLANGED END FLOWTUBES



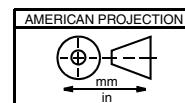
- NOTES:
1. SEE PAGE 2 FOR FLOWTUBE AND FLANGE DIMENSIONAL DATA.
2. SEE PAGE 3 FOR THREADED AND SANITARY END CONNECTIONS.

APPROXIMATE MASS FLANGED FLOWTUBES

NOMINAL LINE SIZE		APPROXIMATE MASS(a)	
mm	in	kg	lb
40	1 1/2	24	53
80	3	111	244

(a)With ANSI Class 150 flanges.

For dimensional information specific to your sales order, contact your sales representative to order a Certified Dimensional Print (CDP).



Foxboro[®]

by **Schneider** Electric

FLOWTUBE AND FLANGE DIMENSIONAL DATA

Bolt Hole Quantity and Bolt Diameter for ANSI and DIN Flanges

NOMINAL FLOWTUBE SIZE	ANSI 150		ANSI 300		ANSI 600		PN40		PN100	
	BOLT HOLES	BOLT DIA.	BOLT HOLES	BOLT DIA.	BOLT HOLES	BOLT DIA.	BOLT HOLES	BOLT DIA.	BOLT HOLES	BOLT DIA.
40 mm (1 1/2 in)	4	1/2 in	4	3/4 in	4	3/4 in	4	M12	4	M18
80 mm (3 in)	4	5/8 in	8	3/4 in	8	3/4 in	8	M16	8	M20

Raised Face to Raised Face Dimensions for ANSI and DIN Flanges

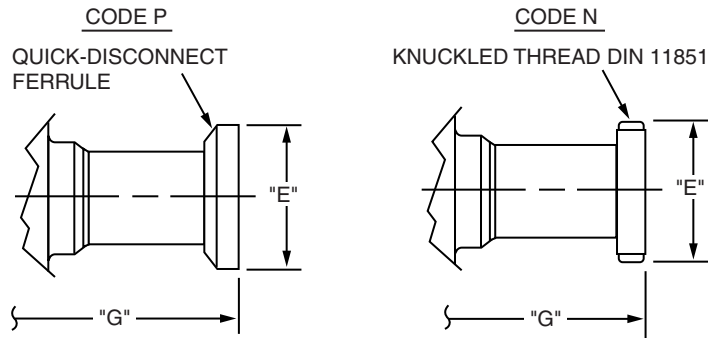
NOMINAL FLOWTUBE SIZE	DIMENSION "G" FOR FLANGE TYPE				
	ANSI CLASS 150	ANSI CLASS 300	ANSI CLASS 600	PN40	PN100
40 mm (1 1/2 in)	$\frac{356}{14.0}$	$\frac{369}{14.50}$	$\frac{372}{14.62}$	$\frac{369}{14.50}$	$\frac{372}{14.62}$
80 mm (3 in)	$\frac{509}{20.04}$	$\frac{528}{20.78}$	$\frac{547}{21.54}$	$\frac{528}{20.78}$	$\frac{573}{22.54}$

Flowtube Dimensional Data

NOMINAL FLOWTUBE SIZE	OTHER FLOWTUBE DIMENSIONS					
	DIMENSION "A"	DIMENSION "B"	DIMENSION "C"	DIMENSION "D"	DIMENSION "F"	DIMENSION "H"
40 mm (1 1/2 in)	$\frac{518}{20.4}$	$\frac{163}{6.4}$	$\frac{391}{15.4}$	$\frac{121.4}{4.78}$	$\frac{259}{10.2}$	$\frac{227}{8.9}$
80 mm (3 in)	$\frac{808}{31.8}$	$\frac{282}{11.1}$	$\frac{516}{20.3}$	$\frac{149.9}{5.90}$	$\frac{404}{15.9}$	$\frac{298}{11.8}$

NOTE: SEE PAGE 3 FOR SANITARY END CONNECTIONS.

SANITARY END CONNECTIONS



NOMINAL FLOWTUB E SIZE	DIMENSION "E" AND "G" FOR THE FOLLOWING END CONNECTION CODES (a)				APPROXIMATE MASS(b)	
	CODE N		CODE P		kg	lb
	"G"	"E"	"G"	"E"		
80 mm (3 in)	$\frac{497}{19.6}$	$\frac{110}{4.33}$	$\frac{433}{17.0}$	$\frac{91}{3.58}$	99	219

- (a) Dimension "G" is face-to-face distance between end connections.
 Code "N" mates with DIN coupling with external thread, DIN 11851.
 Code "P" mates with quick-disconnect ferrule.
 (b) Approximate Mass is with end connection Code "P"



Invensys Systems, Inc.
38 Neponset Avenue
Foxboro, MA 02035
United States of America
<http://www.fielddevices.foxboro.com>

Global Customer Support
Inside U.S.: 1-866-746-6477
Outside U.S.: 1-508-549-2424
Website: <http://support.ips.invensys.com>

Copyright 1997-2016 Invensys Systems, Inc.
All rights reserved.

Foxboro and I/A Series are trademarks of Invensys Limited, its subsidiaries, and affiliates. All other trademarks are the property of their respective owners.

Invensys is now part of Schneider Electric.