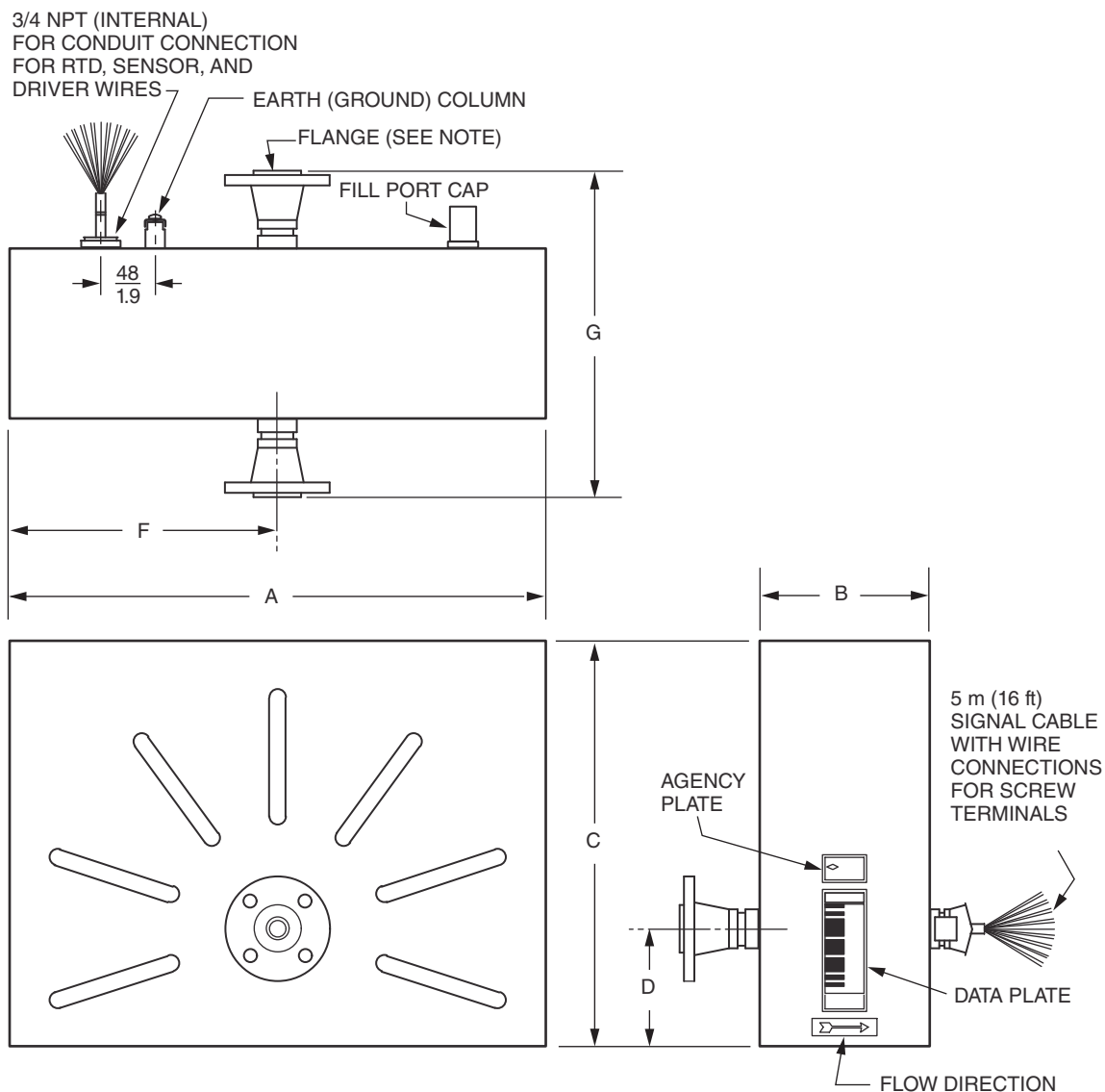
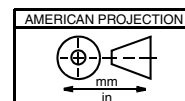


I/A Series[®] Mass Flowmeters Model CFS20 Mass Flowtubes

FLOWTUBES WITH FLANGED END CONNECTIONS



For dimensional information specific to your sales order, contact your sales representative to order a Certified Dimensional Print (CDP).



Foxboro[®]

by **Schneider** Electric

FLOWTUBE DIMENSIONAL DATA

Nominal Flowtube Size	Dimension A	Dimension B	Dimension C	Dimension D	Dimension F
40 mm (1 1/2 in)	518 20.4	163 6.4	391 15.4	121.4 4.78	259 10.2
80 mm (3 in)	808 31.8	282 11.1	516 20.3	149.9 5.90	404 15.9

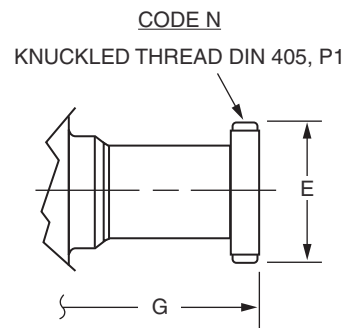
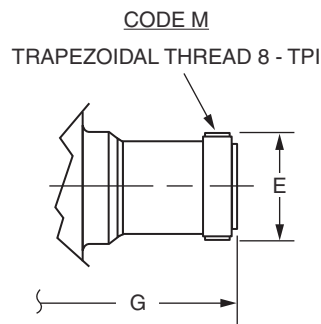
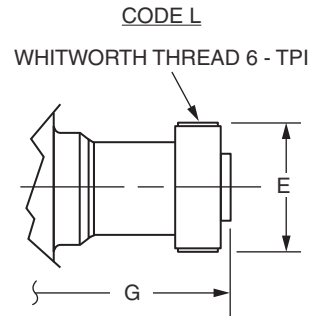
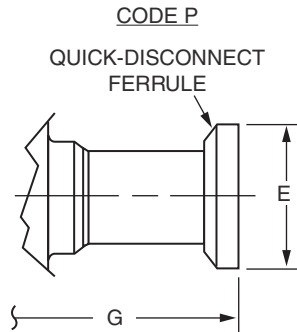
RAISED FACE-TO-RAISED-FACE DIMENSIONS FOR ANSI AND DIN FLANGES

Nominal Flowtube Size	Dimension G for Flange Type				
	ANSI Class 150	ANSI Class 300	ANSI Class 600	PN40	PN100
40 mm (1 1/2 in)	356 14.0	369 14.50	372 14.62	369 14.50	372 14.62
80 mm (3 in)	509 20.04	528 20.78	547 21.54	528 20.78	573 22.54

BOLT HOLE QUANTITY AND BOLT DIAMETER FOR ANSI AND DIN FLANGES

Nominal Flowtube Size	ANSI 150		ANSI 300		ANSI 600		PN40		PN100	
	Bolt Holes	Bolt Dia.	Bolt Holes	Bolt Dia.	Bolt Holes	Bolt Dia.	Bolt Holes	Bolt Dia.	Bolt Holes	Bolt Dia.
40 mm (1 1/2 in)	4	1/2 in	4	3/4 in	4	3 1/4 in	4	M12	4	M18
80 mm (3 in)	4	5 1/8 in	8	3/4 in	8	3/4 in	8	M16	8	M20

SANITARY END CONNECTIONS



Nominal Flowtube Size	Dimensions E and G for End Connection Codes (a)								Approximate Mass (b)	
	Code L		Code M		Code N		Code P			
	G	E	G	E	G	E	G	E	kg	lb
80 mm (3 in)	461 18.1	98 3.86	450 17.7	91 3.6	497 19.6	110 4.33	433 17.0	91 3.58	99	219

- a. Dimension "G" is Face-To-Face Distance Between End Connections
 Code "L" Mates with RJT Coupling with External Thread, BS 1864.
 Code "M" Mates with ISS/IDF Coupling with External Thread, BS 4825, ISO 2852.
 Code "N" Mates with DIN Coupling with External Thread, DIN 11851.
 Code "P" Mates with with Quick-Disconnect Ferrule.
- b. Approximate Mass is with End Connection Code "P".



Invensys Systems, Inc.
38 Neponset Avenue
Foxboro, MA 02035
United States of America
<http://www.schneider-electric.com>

Global Customer Support
Inside U.S.: 1-866-746-6477
Outside U.S.: 1-508-549-2424
Website: <http://support.ips.invensys.com>

Copyright 1995-2016 Invensys Systems, Inc.
All rights reserved.

Invensys, Foxboro, and I/A Series are trademarks of Invensys Limited, its subsidiaries, and affiliates. All other trademarks are the property of their respective owners.

Invensys is now part of Schneider Electric.