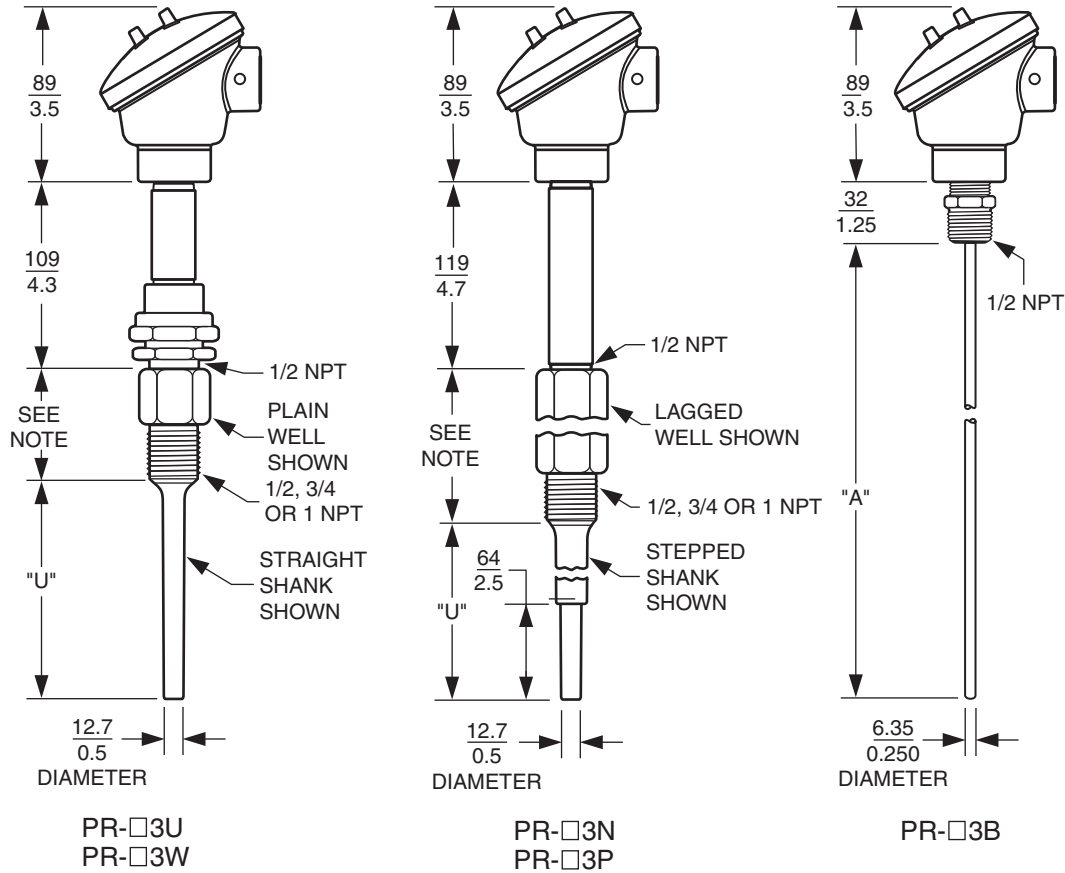


## PR Series Platinum Resistance Temperature Detectors (RTDs)

### GENERAL PURPOSE HEAD

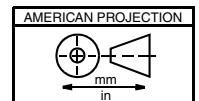


**NOTE:**

T+44 mm (T+1.75 in) for threaded and weld-in thermowells  
 T+57 mm (T+2.25 in) for flanged and sanitary thermowells

Insertion Length "U" = \_\_\_\_\_  
 Lagging Extension "T" = \_\_\_\_\_  
 Bare Sensor Length "A" = \_\_\_\_\_

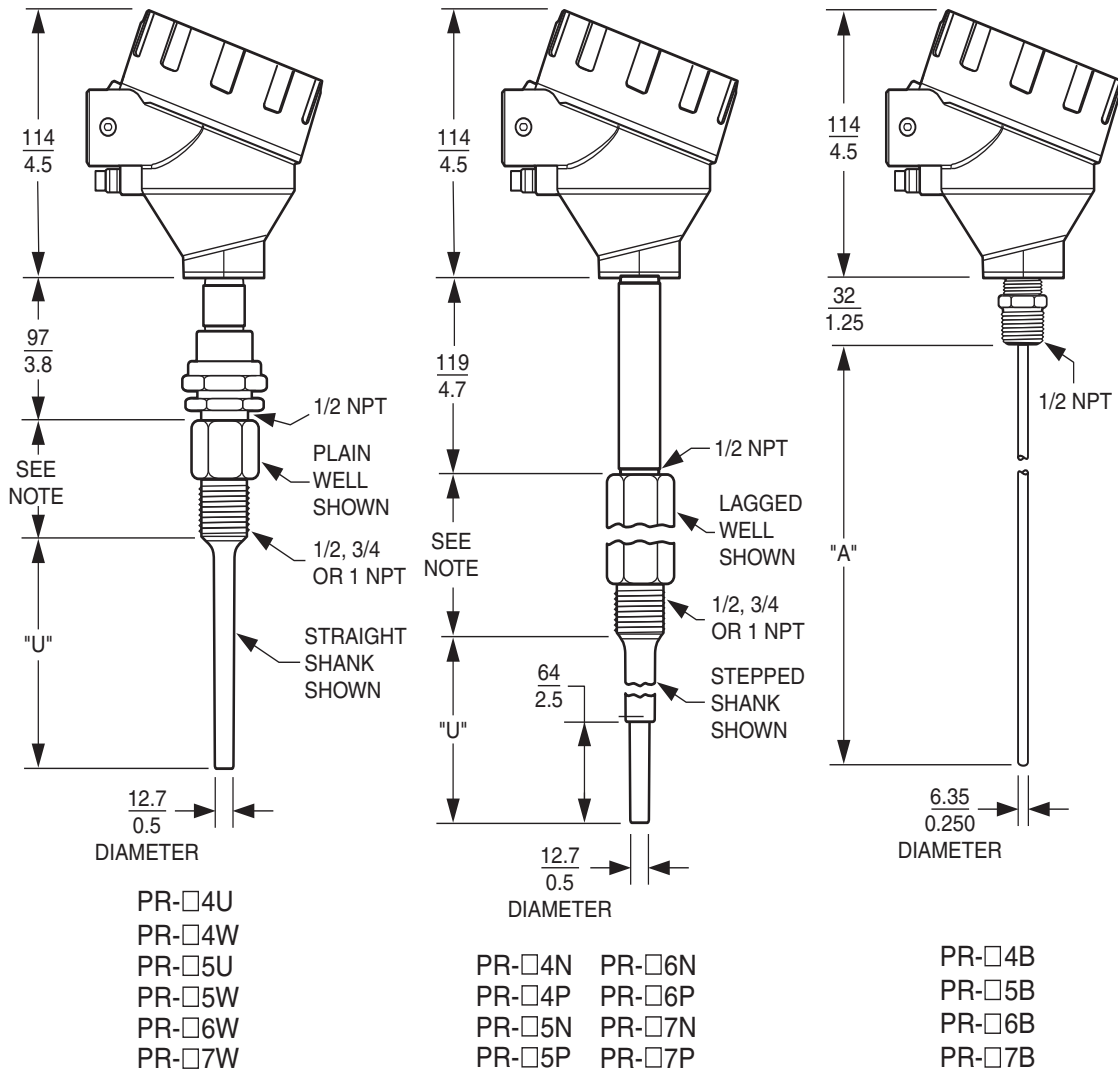
For dimensional information specific to your sales order, contact your sales representative to order a Certified Dimensional Print (CDP).



**Foxboro**®

by **Schneider** Electric

**EXPLOSIONPROOF HEAD**



**NOTE:**

T+44 mm (T+1.75 in) for threaded and weld-in thermowells  
 T+57 mm (T+2.25 in) for flanged and sanitary thermowells

Insertion Length "U" = \_\_\_\_\_  
 Lagging Extension "T" = \_\_\_\_\_  
 Bare Sensor Length "A" = \_\_\_\_\_