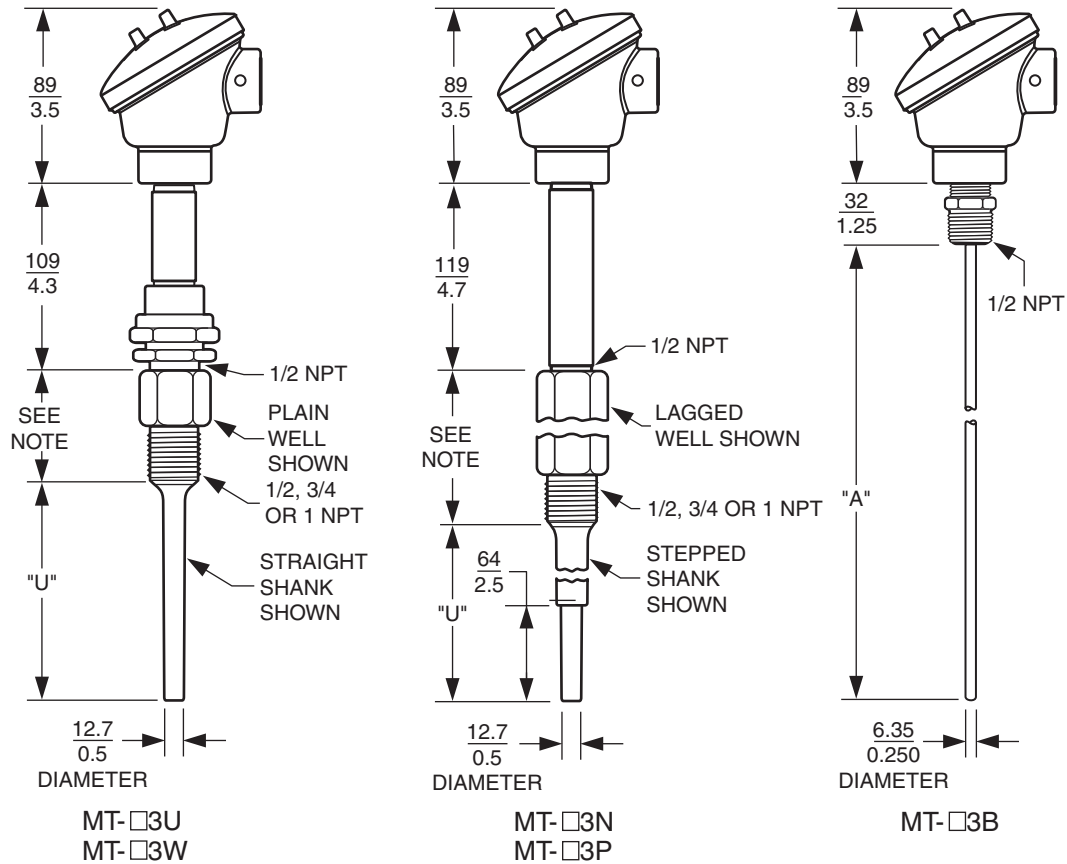


MT Series MINOX™ Thermocouples

GENERAL PURPOSE HEAD

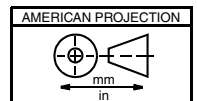


NOTE:

T+44 mm (T+1.75 in) for threaded and weld-in thermowells
 T+57 mm (T+2.25 in) for flanged and sanitary thermowells

Insertion Length "U" = _____
 Lagging Extension "T" = _____
 Bare Sensor Length "A" = _____

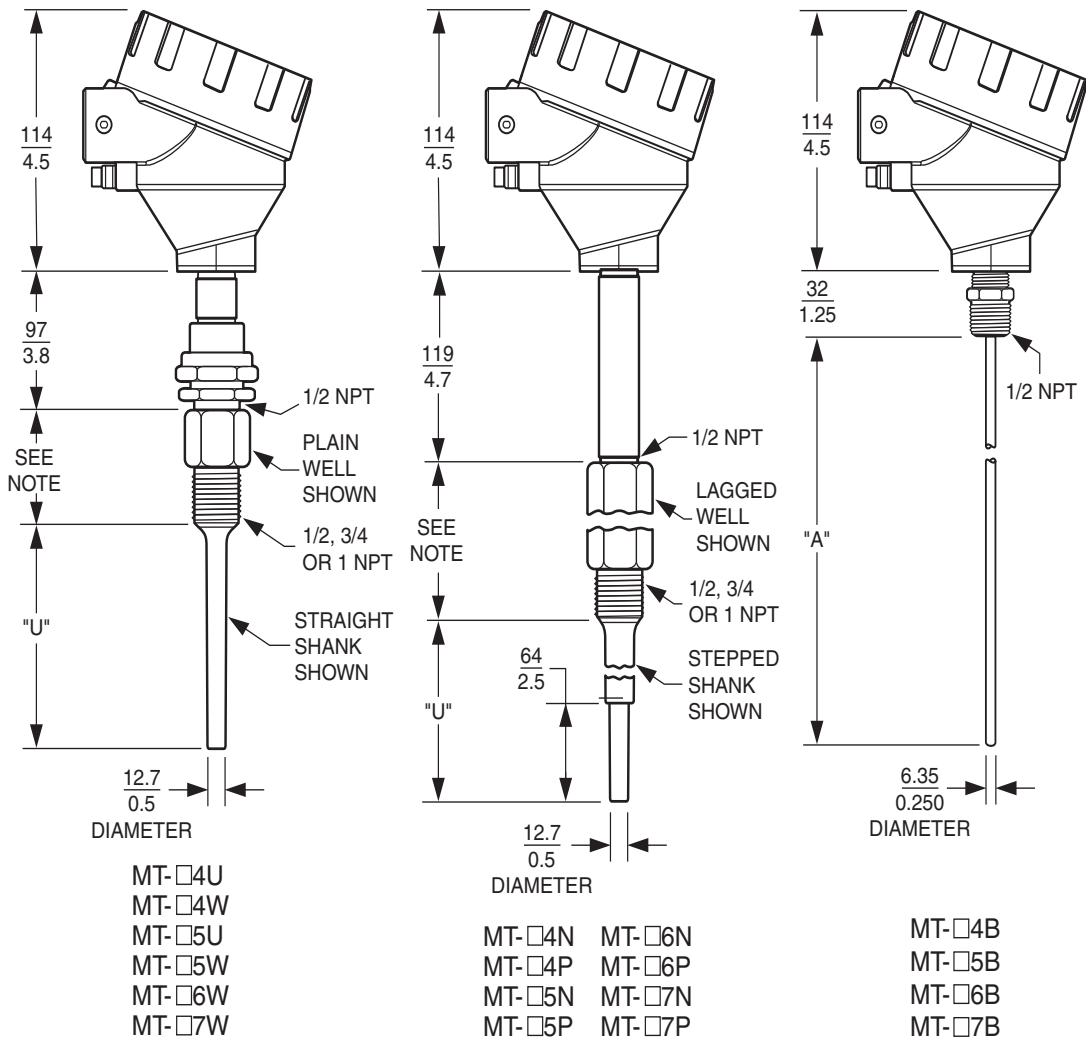
For dimensional information specific to your sales order, contact your sales representative to order a Certified Dimensional Print (CDP).



Foxboro®

by Schneider Electric

EXPLOSIONPROOF HEAD



NOTE:

T+44 mm (T+1.75 in) for threaded and weld-in thermowells
 T+57 mm (T+2.25 in) for flanged and sanitary thermowells

Insertion Length "U" = _____
 Lagging Extension "T" = _____
 Bare Sensor Length "A" = _____