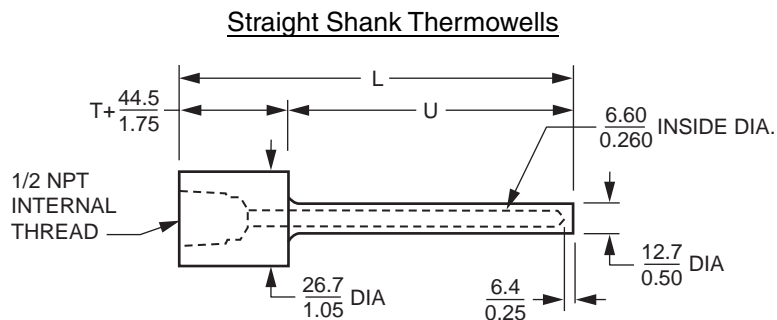


TW Series Weld-In Thermowells



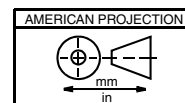
INSERTION LENGTH "U" = _____

OVERALL LENGTH "L" = _____

LAGGING LENGTH "T" = _____

NOTE: "u" can be from 2 to 36 inches (5 to 914 mm) in 0.5 inch (12.7 mm) increments.
"T" can be from 0 to 4 inches (0 to 102 mm) in 0.5 inch (12.7 mm) increments.

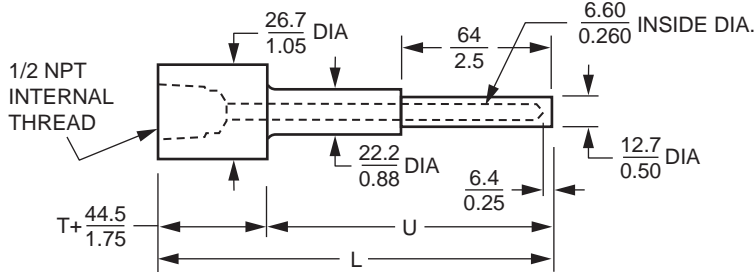
For dimensional information specific to your sales order, contact your sales representative to order a Certified Dimensional Print (CDP).



Foxboro®

by **Schneider** Electric

Stepped Shank Thermowells



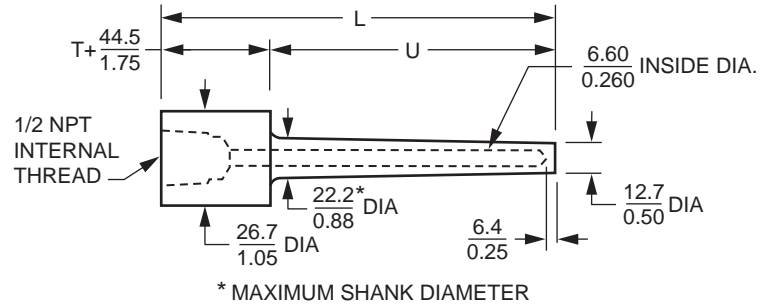
INSERTION LENGTH "U" = _____

OVERALL LENGTH "L" = _____

LAGGING LENGTH "T" = _____

NOTE: "u" can be from 2 to 36 inches (5 to 914 mm) in 0.5 inch (12.7 mm) increments.
"T" can be from 0 to 4 inches (0 to 102 mm) in 0.5 inch (12.7 mm) increments

Tapered Shank Thermowells



INSERTION LENGTH "U" = _____

OVERALL LENGTH "L" = _____

LAGGING LENGTH "T" = _____

NOTE: "u" can be from 2 to 36 inches (5 to 914 mm) in 0.5 inch (12.7 mm) increments.
"T" can be from 0 to 4 inches (0 to 102 mm) in 0.5 inch (12.7 mm) increments



Invensys Systems, Inc.
38 Neponset Avenue
Foxboro, MA 02035
United States of America
<http://www.fielddevices.foxboro.com>

Global Customer Support
Inside U.S.: 1-866-746-6477
Outside U.S.: 1-508-549-2424
Website: <http://support.ips.invensys.com>

Copyright 2005-2016 Invensys Systems, Inc.
All rights reserved.

Invensys, Foxboro, and I/A Series are trademarks of
Invensys Limited, its subsidiaries, and affiliates. All other
trademarks are the property of their respective owners.

Invensys is now part of Schneider Electric.