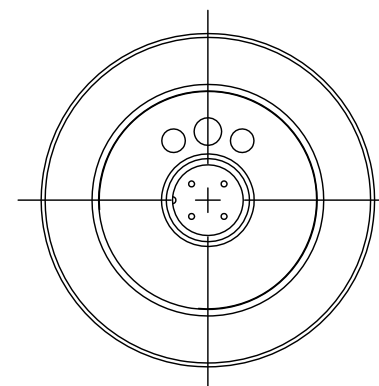


LEFT



FRONT

DUAL DIMENSIONS: INCHES
MILLIMETERS

30MM ULTRASONIC SENSOR W/LOW TEMP

SQUARE D™
by Schneider Electric

DWG# NO. XX930A3A2M12TF