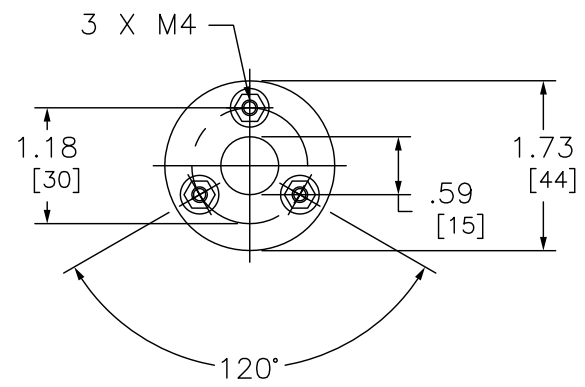


FRONT



BOTTOM

DUAL DIMENSIONS: INCHES
MILLIMETERS

40MM TOWER ROG BASE MOUNT



DWG# XVC4B3K
NO.