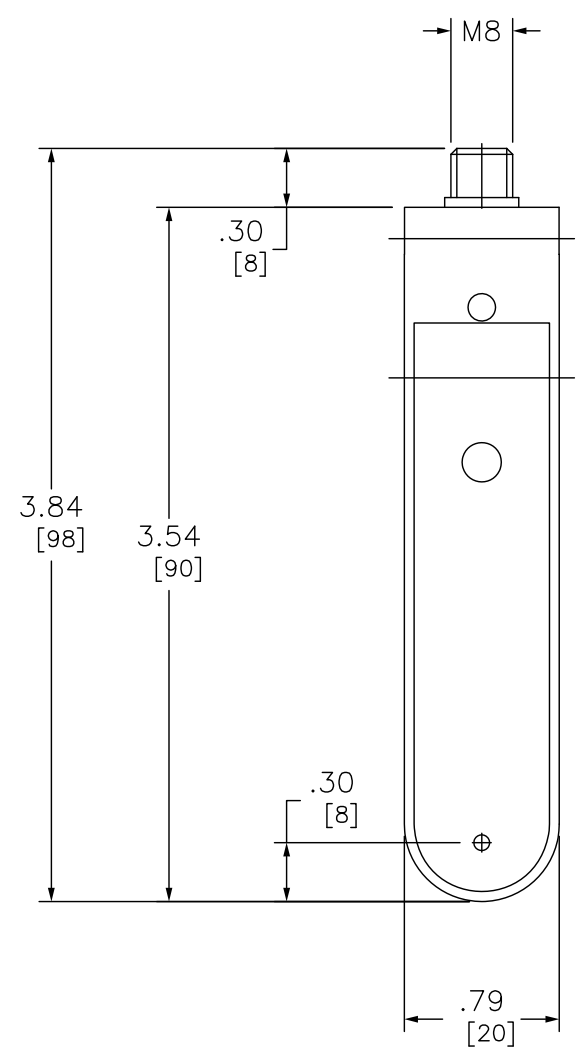


FRONT



RIGHT

DUAL DIMENSIONS: INCHES  
MILLIMETERS

PHOTOELECTRIC SENSOR 24V 100MA + OPTIONS



DWG# XUVK0252S  
NO.