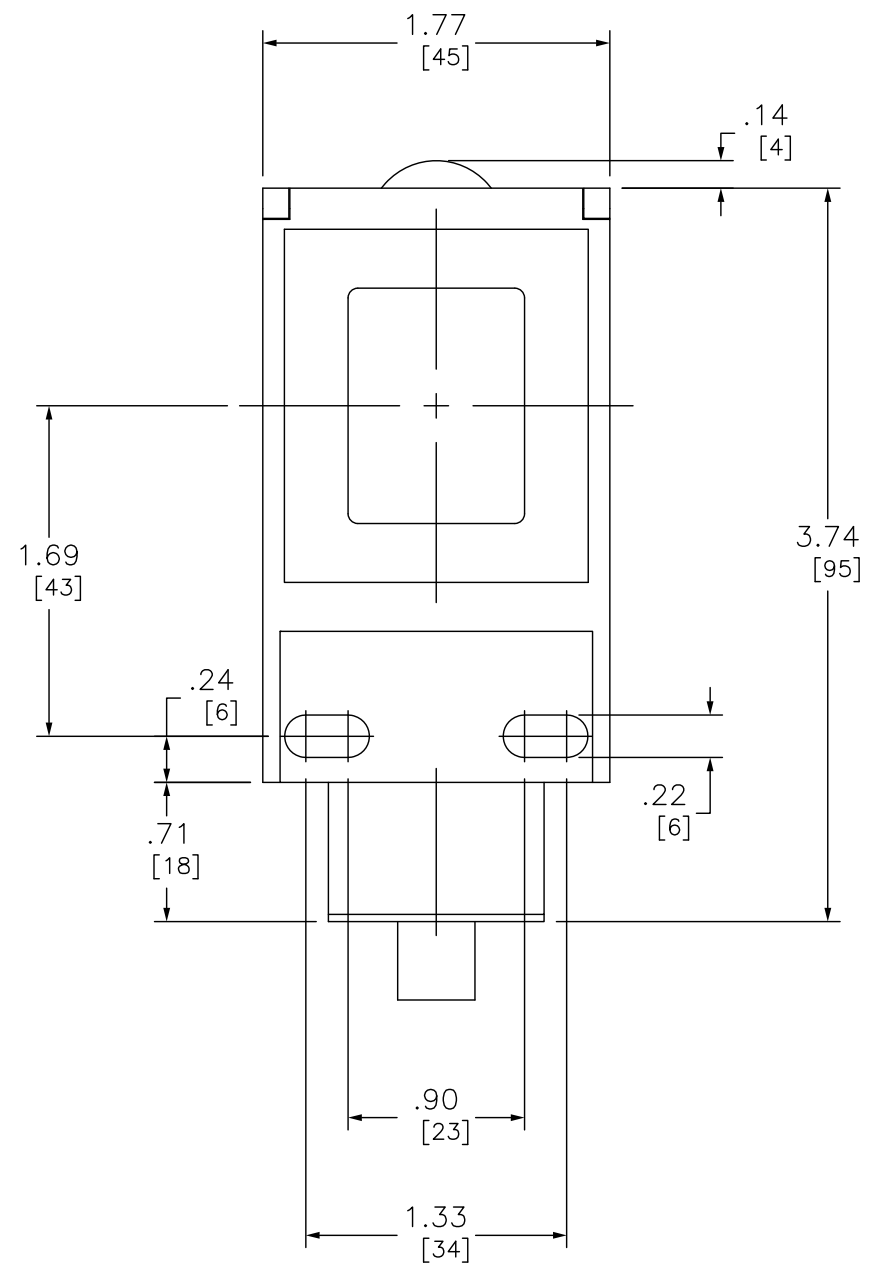


LEFT



FRONT

DUAL DIMENSIONS: INCHES  
MILLIMETERS

PHOTOELECTRIC SENSOR 240V 3A + OPTIONS



DWG# XUC2ARCTL2  
NO.