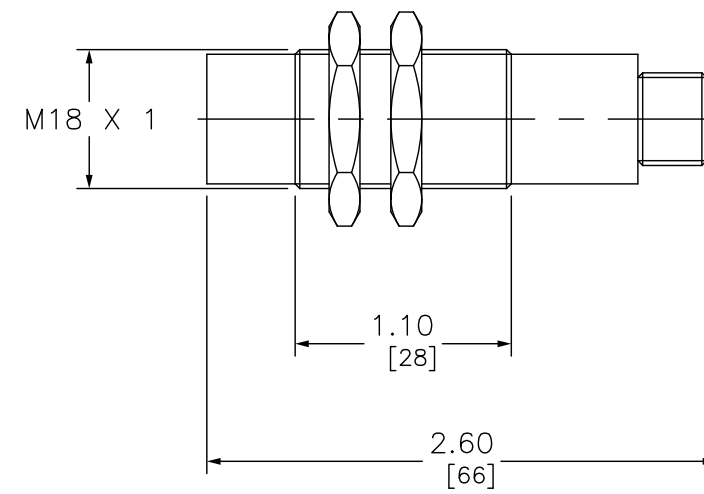


LEFT



FRONT

DUAL DIMENSIONS: INCHES
MILLIMETERS

PHOTO SENSOR



DWG# XUBLAPCNM12
NO.