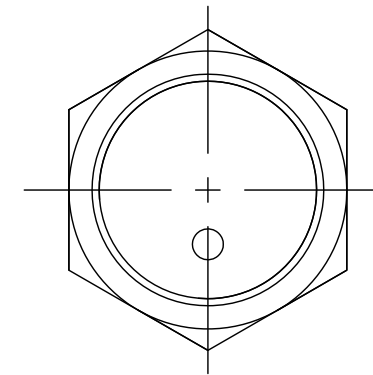


FRONT



RIGHT

DUAL DIMENSIONS: INCHES
MILLIMETERS

PROXIMITY SENSOR 30MM AC/DC XS6 + OPTIONS



DWG# XS630B1MAL5
NO.